



Filing Receipt

Received - 2021-10-25 09:48:42 AM

Control Number - 52299

ItemNumber - 329



Harkins Engineering, Inc.

October 25, 2021

Public Utility Commission of Texas
Central Records
Project 52299
1701 N Congress PO Box 13326
Austin, Texas 78711-3326

Tri-County Electric
200 Bailey Ranch Road
Aledo, Texas 76008:

Cavallo
1500 Rankin Road, Suite 200
Houston, Texas 77073:

Office of Emergency Management
Emergency Management Coordinator
215 Trinity St.
Weatherford, TX 76086

Texas Division of Emergency Management
1033 La Posada Ste 300
Austin, Texas 78752

RE: Senate Bill 3, 87th Legislature, Regular Session, Texas Water Code (TWC) §13.1396
Town of Annetta Deer Creek PWS ID 1840111
Town of Annetta Lakes of Aledo PWS ID 1840164
Town of Annetta Learner's Lane PWS ID 1840206
Town of Annetta Deer Creek WWTP, WQ ID 13759-001

To Whom it May Concern:

The Town of Annetta files the below information to meet the compliance needs and deadline for SB3.

1. Name of your water and wastewater utilities:
Town of Annetta Deer Creek Public Water System
Town of Annetta Lakes of Aledo Public Water System
Town of Annetta Learner's Lane Public Water System
Town of Annetta Deer Creek Wastewater Treatment Plant

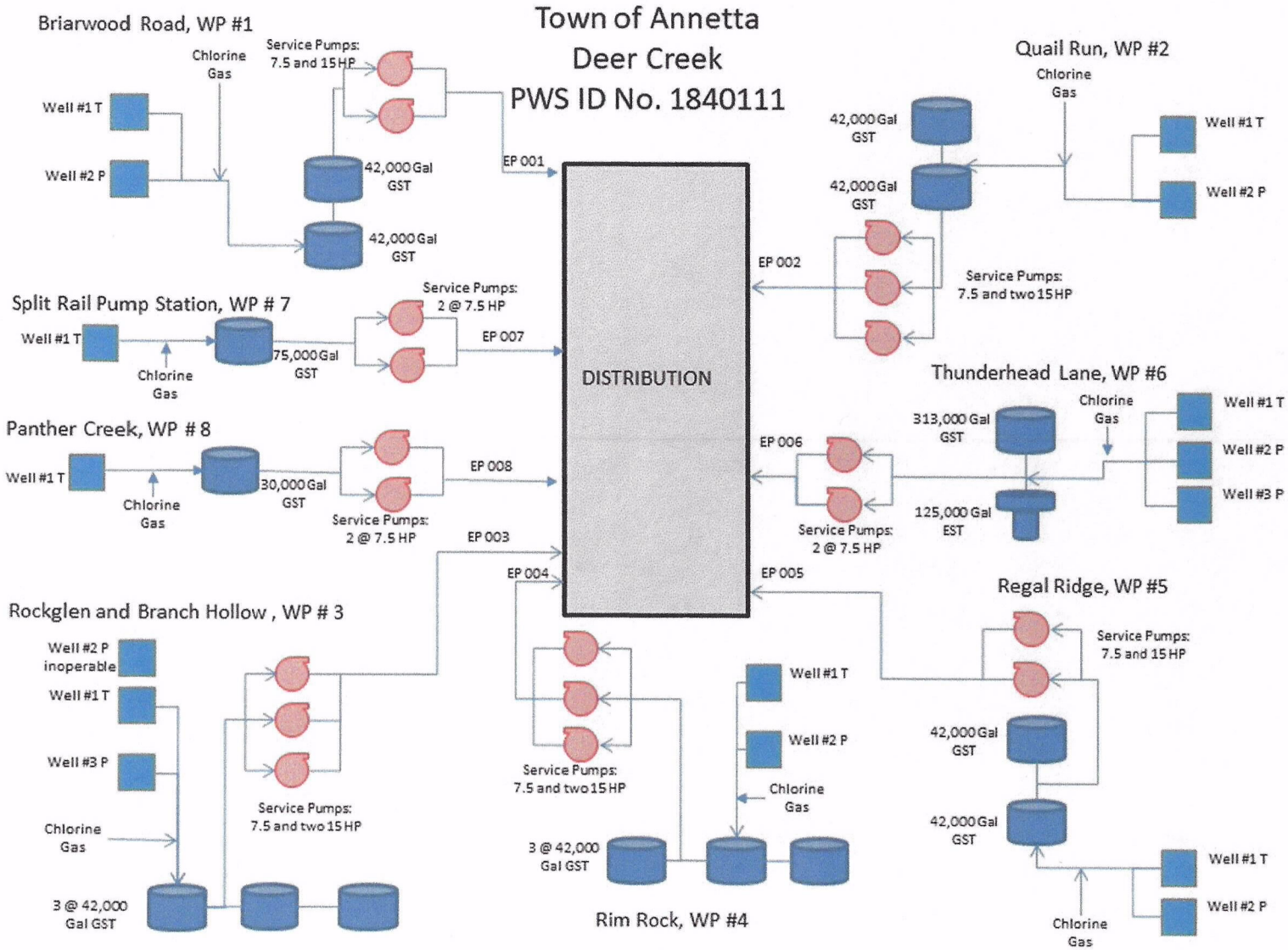
2. List of all the public water and wastewater systems owned by your utility
 - Town of Annetta Deer Creek PWS ID 1840111
 - Town of Annetta Lakes of Aledo PWS ID 1840164
 - Town of Annetta Learner's Lane PWS ID 1840206
 - Town of Annetta Deer Creek WWTP, WQ ID 13759-001
3. Identify the location and provide a written, general description of all water and wastewater facilities that qualify for critical load status.

The Town of Annetta owns and operates three Public Water Systems and one wastewater system in Parker County.

The Town of Annetta owns and operates the Deer Creek Water System (Deer Creek). The system has thirteen groundwater wells. The system serves approximately 2,830 people through 820 connections and one master meter connection for Stuard Elementary School with approximately 675 students and faculty.

Groundwater from the Trinity Aquifer, both the Twin Mountain and Paluxy formations, are the sources of water for the Town of Annetta Deer Creek public water system. The system maintains 15 ground storage tanks and one elevated storage tank with gas chlorine for groundwater treatment. A schematic of the Annetta Deer Creek Water System is presented below.





Schematic Town of Annetta Deer Creek Water Treatment Plant and System



The location of The Town of Annetta critical load status assets for the Deer Creek system are located generally

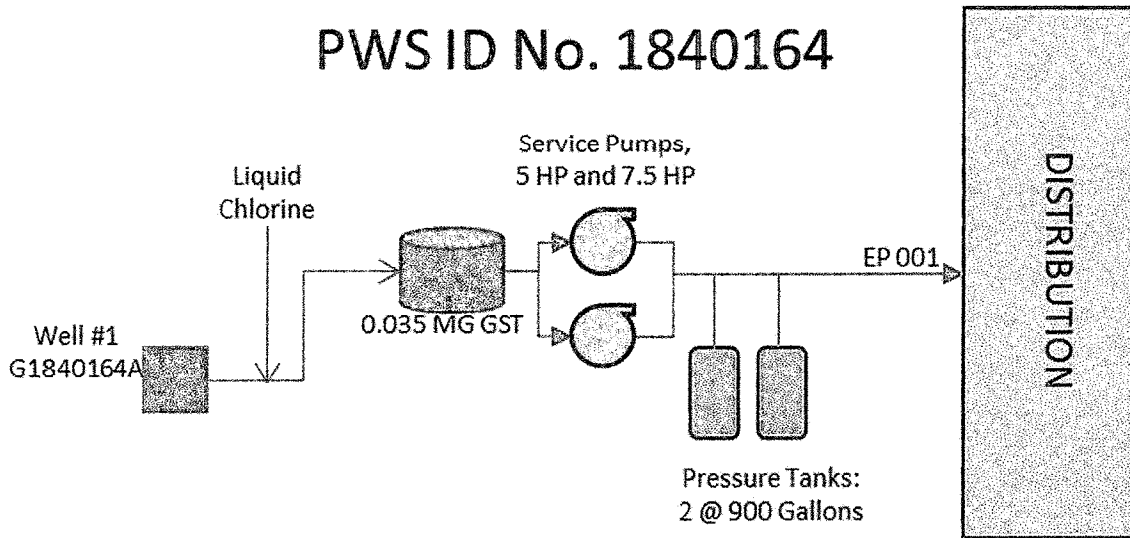
Plant #1	Lat	Long
Briarwood Road	32.684073	-97.652295
Plant #2		
Quail Run	32.680274	-97.641497
Plant #3		
Rockglen and Branch Hollow	32.681924	-97.663634
Plant #4		
Rim Rock	32.675978	-97.663171
Plant #5		
Regal Ridge	32.687167	-97.655555
Plant #6		
Stuard Elem	32.670057	-97.648604
Plant #7:		
Split Rail	32.692511	-97.65075
Plant #8:		
Panther Creek	32.679542	-97.633117
Plant #9		
Aledo Heights	32.666368	-97.6525698



The Town of Annetta owns and operates the Lakes of Aledo Water System (Lakes of Aledo). The system has one groundwater well. The system serves approximately 93 people through 30 connections.

Groundwater from the Trinity Aquifer is the source of water for the Lakes of Aledo public water system. The system maintains one storage tank with liquid chlorine for groundwater treatment. A schematic of the Annetta Lakes of Aledo Water System is presented below.

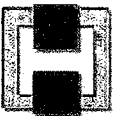
Lakes of Aledo Town of Annetta PWS ID No. 1840164



Schematic of the Town of Annetta, Lakes of Aledo Water Treatment Plant

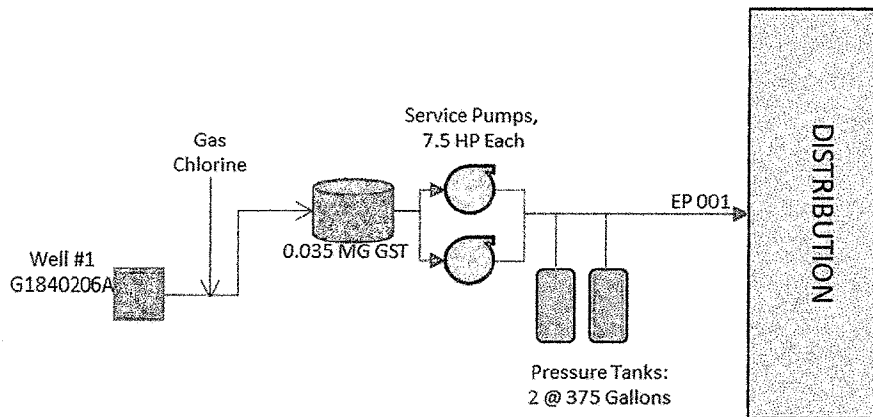
The location of The Town of Annetta critical load status assets for the Town of Annetta Lakes of Aledo Water Treatment Plant are located generally at

Lakes of Aledo lat/long: 32.703528, -97.662012.



The Town of Annetta owns and operates the Town of Annetta Learner's Lane Water Treatment Plant. The system has one groundwater well. The system serves approximately 800 students and faculty through one master meter connection.

Groundwater from the Trinity Aquifer is the source of water for the Town of Annetta Learner's Lane public water system. The system maintains one storage tank with gas chlorine for groundwater treatment. A schematic of the Town of Annetta Learner's Lane Water System is presented below.

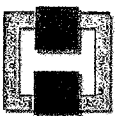


Learner's WTP
Town of Annetta
PWS ID No. 1840206

Schematic of the Town of Annetta, Learner's Lane Water Treatment Plant

The location of The Town of Annetta critical load status assets for the Town of Annetta Learner's WTP is located generally at

Town of Annetta Learner's WTP lat/long: 32.714778, -97.676027.



The Town of Annetta owns and operates a wastewater treatment plant that is permitted for up to 0.264 MG per day disposal via land application. The wastewater facility consists of a wastewater treatment plant, eight lift stations, and a pond disposal with surface irrigation.

The location of The Town of Annetta critical load status assets for the Town of Annetta Deer Creek WWTP system are located at the listed lat/long locations.

Plant/Lift Station	Lat	Long
WWTP	32.67175	-97.6486
Meadow Park	32.67003	-97.6439
Rim Rock	32.67897	-97.6506
Branch Hollow	32.67943	-97.6609
Harvestwood	32.68644	-97.658
Oakwood	32.68264	-97.6559
Deer Creek	32.67912	-97.656
St. Andrews	32.69624	-97.6487
Augusta	32.69493	-97.6421

4. Emergency contact information for the affected utility:
- The name of the person who will serve as a point of contact and the person's telephone number;
Mayor Roberts, Sandy
Office 817-441-5770 / Cell 682-262-0780
 - The person who will serve as an alternative point of contact and the person's telephone number; and
Mr. Glenn Kincaid, Operator
Office 817-441-5770 / Cell 817-565-5604
 - The affected utility's mailing address.
Town of Annetta, Texas
P.O. Box 1150
Annetta, Texas 76008-1150

Thank you in advance for your time and attention. If you have any questions or need additional information, please call me at 512-784-8511.

Sincerely,



Victoria Harkins, Ph.D., P.E.
President

