



Filing Receipt

Received - 2021-10-19 05:24:48 PM

Control Number - 52299

ItemNumber - 227



Harkins Engineering, Inc.

October 19, 2021

Public Utility Commission of Texas
Central Records
Project 52299
1701 N Congress PO Box 13326
Austin, Texas 78711-3326

American Electric Power Texas
2600 E. Corral Ave.
Kingsville, Texas 78363

Office of Emergency Management
Kleberg County
Mr. Tomas Sanchez
700 E Kleberg Ave
Kingsville, Texas 78363

Texas Division of Emergency Management
1033 La Posada Ste 300
Austin, Texas 78752

RE: Senate Bill 3, 87th Legislature, Regular Session, Texas Water Code (TWC) §13.1396
King Ranch, Inc. Santa Gertrudis District PWS ID 1370012
King Ranch, Inc. Laureles Division PWS ID 1370028
King Ranch, Inc. WWTP, WQ ID 14808-001

To Whom it May Concern:

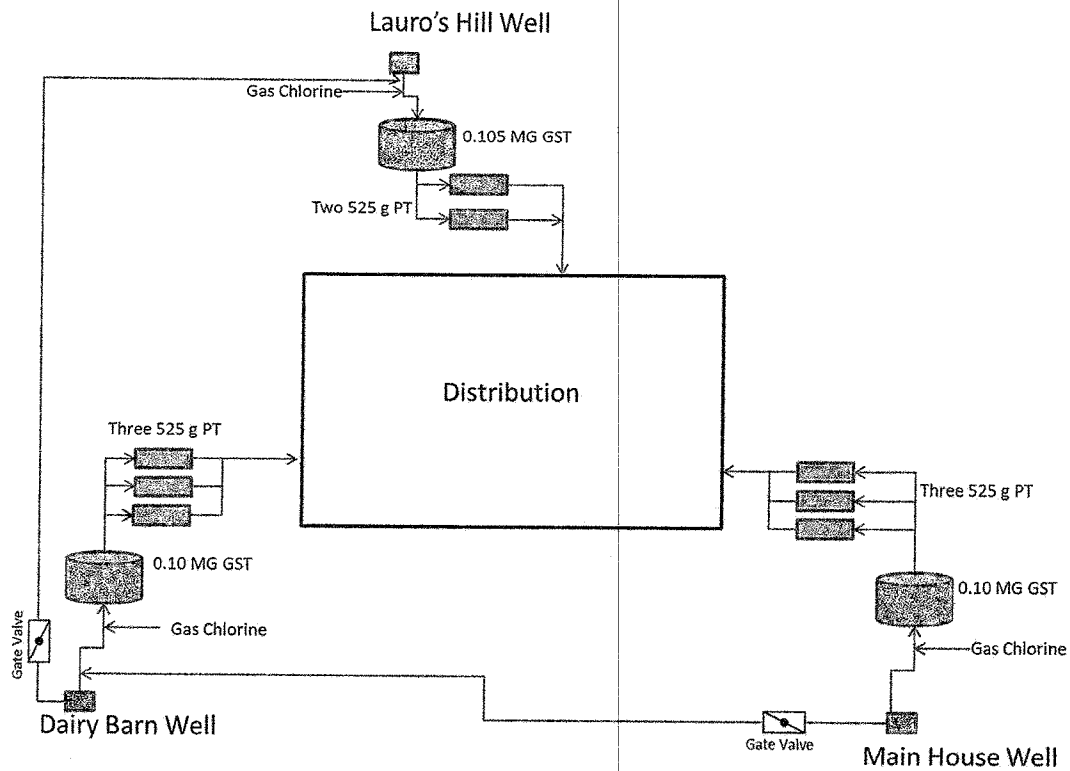
King Ranch, Inc. files the below information to meet the compliance needs and deadline for SB3.

1. Name of your water and wastewater utility:
King Ranch Santa Gertrudis District
King Ranch Laureles Division
King Ranch Wastewater Treatment Plant
2. List of all the public water and wastewater systems owned by your utility
King Ranch Santa Gertrudis District PWS ID No. 1370012, Kleberg County
King Ranch Laureles Division PWS ID No. 1370028, Kleberg County
King Ranch Norias PWS ID No. 1310003, Kenedy County
King Ranch WWTP, WQ 14808-001, Kleberg County

- Identify the location and provide a written, general description of all water and wastewater facilities that qualify for critical load status.

King Ranch, Inc. owns and operates two Public Water Systems and one wastewater system in Kleberg County.

King Ranch, Inc. Santa Gertrudis Division operates three groundwater wells to serve the Santa Gertrudis King Ranch Community. The water system serves 212 people with 86 connections divided within the three service areas: Lauro's Hill, Main House and Dairy Barn service areas. The pumped groundwater is disinfected with gaseous chlorine prior to ground storage. Treated groundwater is stored in three above ground storage tanks. The water then enters the distribution system through eight pressure tanks and service pumps. A schematic of the King Ranch Santa Gertrudis Water System is presented below.



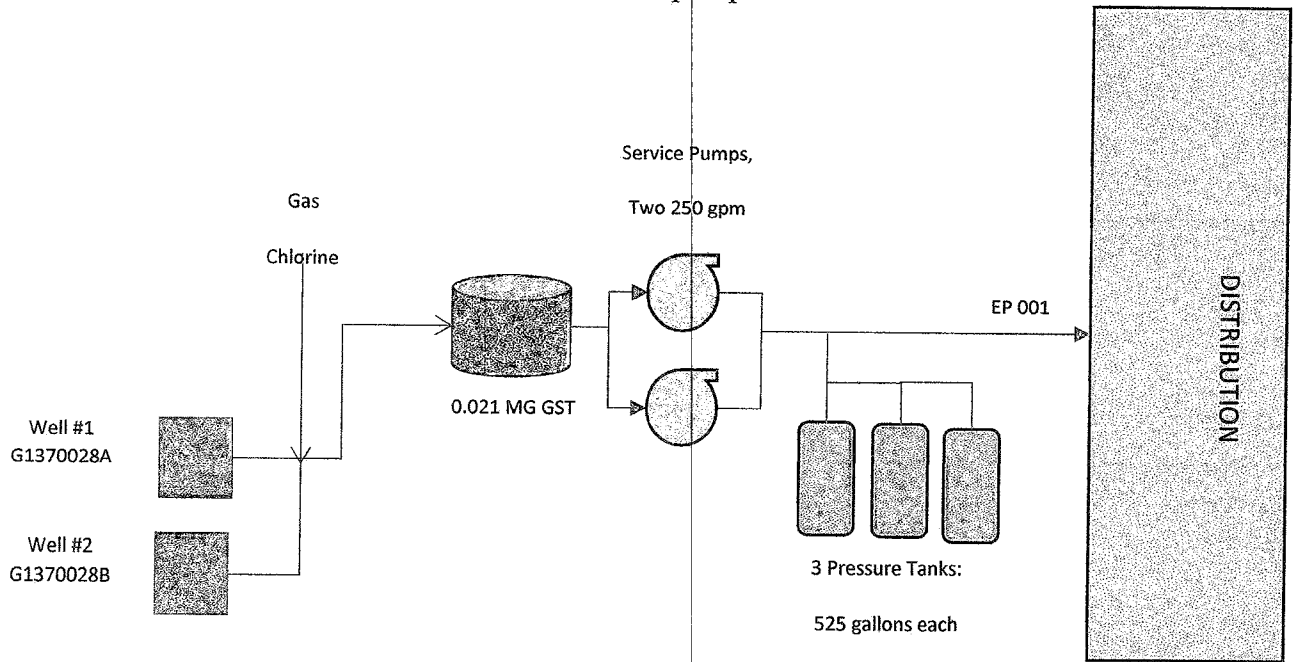
Schematic King Ranch Santa Gertrudis Water System

The location of King Ranch, Inc. critical load status assets for the Santa Gertrudis system are located generally

- Main House Well and WTP: lat/long: 27.518039, -97.917639;
- Dairy Barn Well and WTP: lat/long: 27.519662, -97.935278; and
- Lauro Hill Well and WTP: lat/long: 27.529942, -97.926173.



King Ranch, Inc. Laureles Division operates two groundwater wells to serve the Laureles King Ranch Community. The water system serves approximately 60 people with 30 connections. The pumped groundwater is disinfected with gaseous chlorine prior to ground storage. Treated groundwater is stored in one above ground storage tanks. The water then enters the distribution system through three pressures tanks and two service pumps.

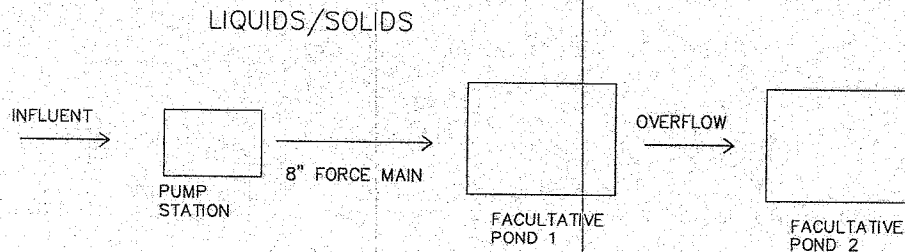


Schematic King Ranch Laureles Water System

The location of King Ranch, Inc. critical load status assets for the King Ranch Laureles system are located generally at the Laureles WTP: lat/long: 27.538066, -97.516424.



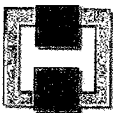
King Ranch, Inc. owns and operates a wastewater pond system that is permitted for up to 0.0255 MG per day. The wastewater facility consists of two lift stations, the pump house, and two evaporation ponds with a capacity of 68 acre feet with a surface area of 11.4 acres.



The location of King Ranch, Inc. critical load status assets for the King Ranch WWTP system are located generally at the WWTP and two lift stations shown below.

WWTP, Pump Station	27.515000	-97.925698
Kleberg	27.518382	-97.914071
Old Colony	27.520599	-97.917200

4. Emergency contact information for the affected utility:
 - a. The name of the person who will serve as a point of contact and the person's telephone number;
 Mr. William R. Murphy, Jr., Esquire
 932-681-5700
 832-640-2360
 - b. The person who will serve as an alternative point of contact and the person's telephone number; and
 Willis Tinsley, Area Services Manager
 361-221-2554
 361-219-0404
 - c. The affected utility's mailing address.
 King Ranch, Inc.
 Attn: William R. Murphy, Jr.
 Three Riverway, Suite 1600
 Houston, Texas 77056
 Phone: 832-681-5716
 Fax: 832-681-5749



King Ranch, Inc.
Emergency Preparedness Summary, Kleberg County
October 2021
Page 5 of 5

Thank you in advance for your time and attention. If you have any questions or need additional information, please call me at 512-784-8511.

Sincerely,

A handwritten signature in cursive script that reads "Victoria Harkins".

Victoria Harkins, Ph.D., P.E.
President

