



Filing Receipt

Received - 2022-02-04 11:25:00 AM

Control Number - 52299

ItemNumber - 1364



**City of Three Rivers
Po Box 398
Three Rivers, Tx 78071**

In accordance with Public Utility Commission of Texas (PUCT) Project 52299(affected utilities)

The City of Three Rivers provides water to 1153 residential family's, 2 Institution, 200 commercial, and 1 Industrial customers. City also provides wastewater services to 1153 residential families, and 200 commercial customers.

Facilities are located as noted below

City

Lake Intake - 28.47587 | -98.246101
Water Plant - 28.462738 | -98.188467
Pumpstation 1 - 28.462759 | -98.188502
Pumpstation 2 - 28.473261 | -98.174301
Water Tower 3 - 28.48421 | -98.166648

CCN

Standpipe - 28.442255 | -98.312803
Wheeler Tanks - 28.44651 | -98.413016

Emergency Contact Information

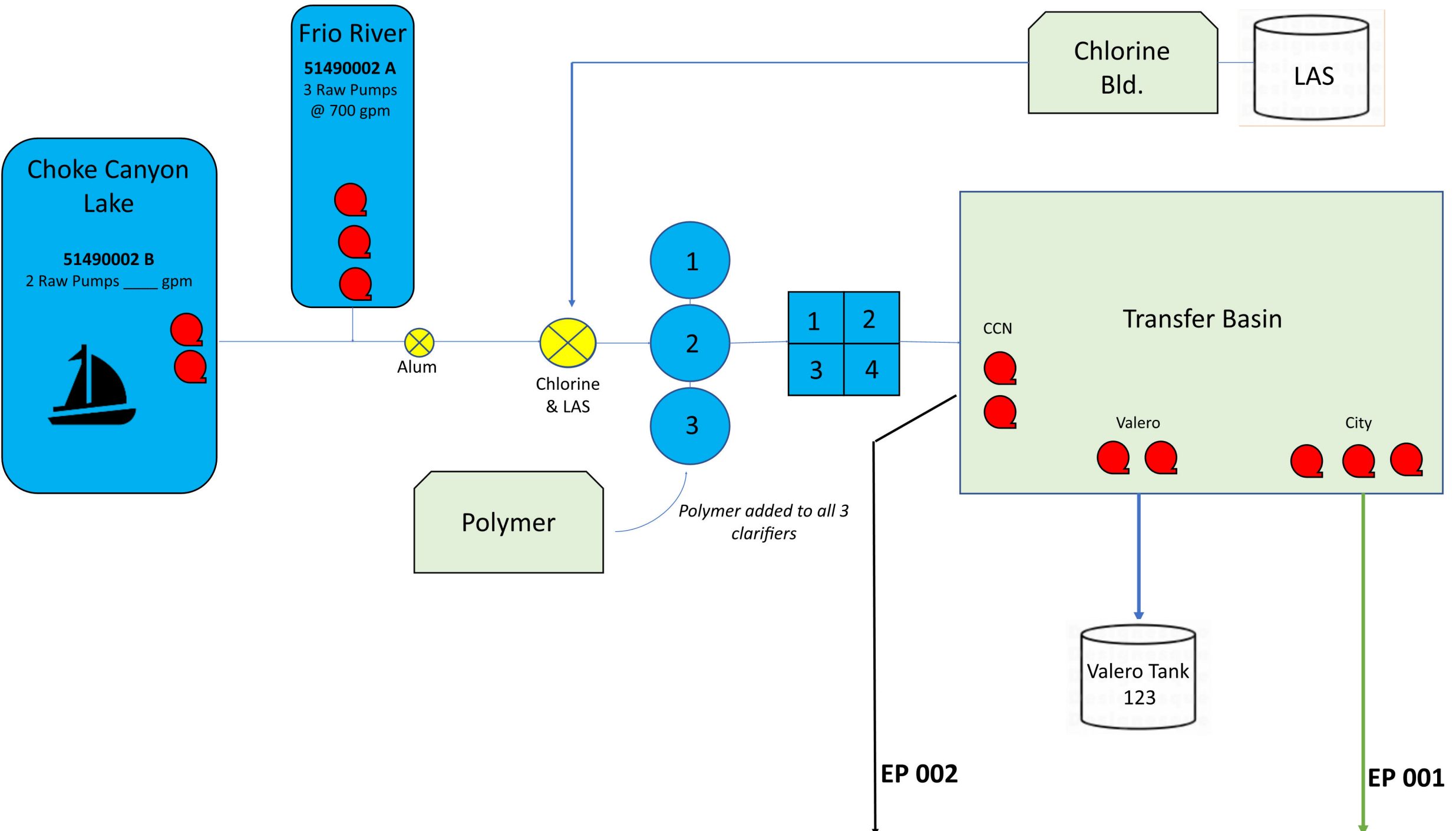
Primary – City of Three Rivers (361) 786-2270
Alternate – City Administrator – Thomas Salazar (361) 492-8088

Mailing Address

City of Three Rivers
PO Box 398
Three River Tx 78071

Physical Address

City of Three Rivers
105 N. Harborth
Three Rivers Tx 78071



Frio River

51490002 A
3 Raw Pumps
@ 700 gpm

Choke Canyon
Lake

51490002 B
2 Raw Pumps ____ gpm

Chlorine
Bld.

LAS

1

2

3

1

2

3

4

Transfer Basin

CCN

Valero

City

Alum

Chlorine
& LAS

Polymer

Polymer added to all 3
clarifiers

Valero Tank
123

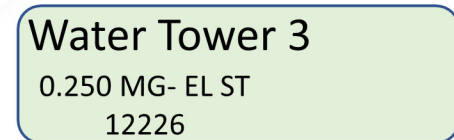
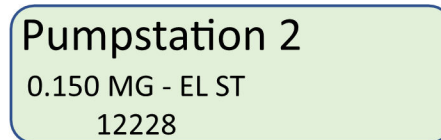
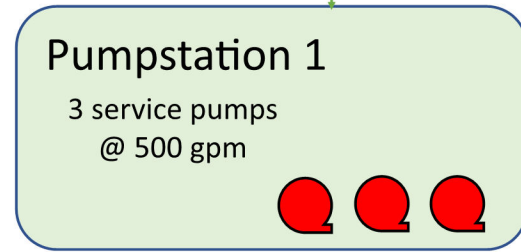
EP 002

EP 001

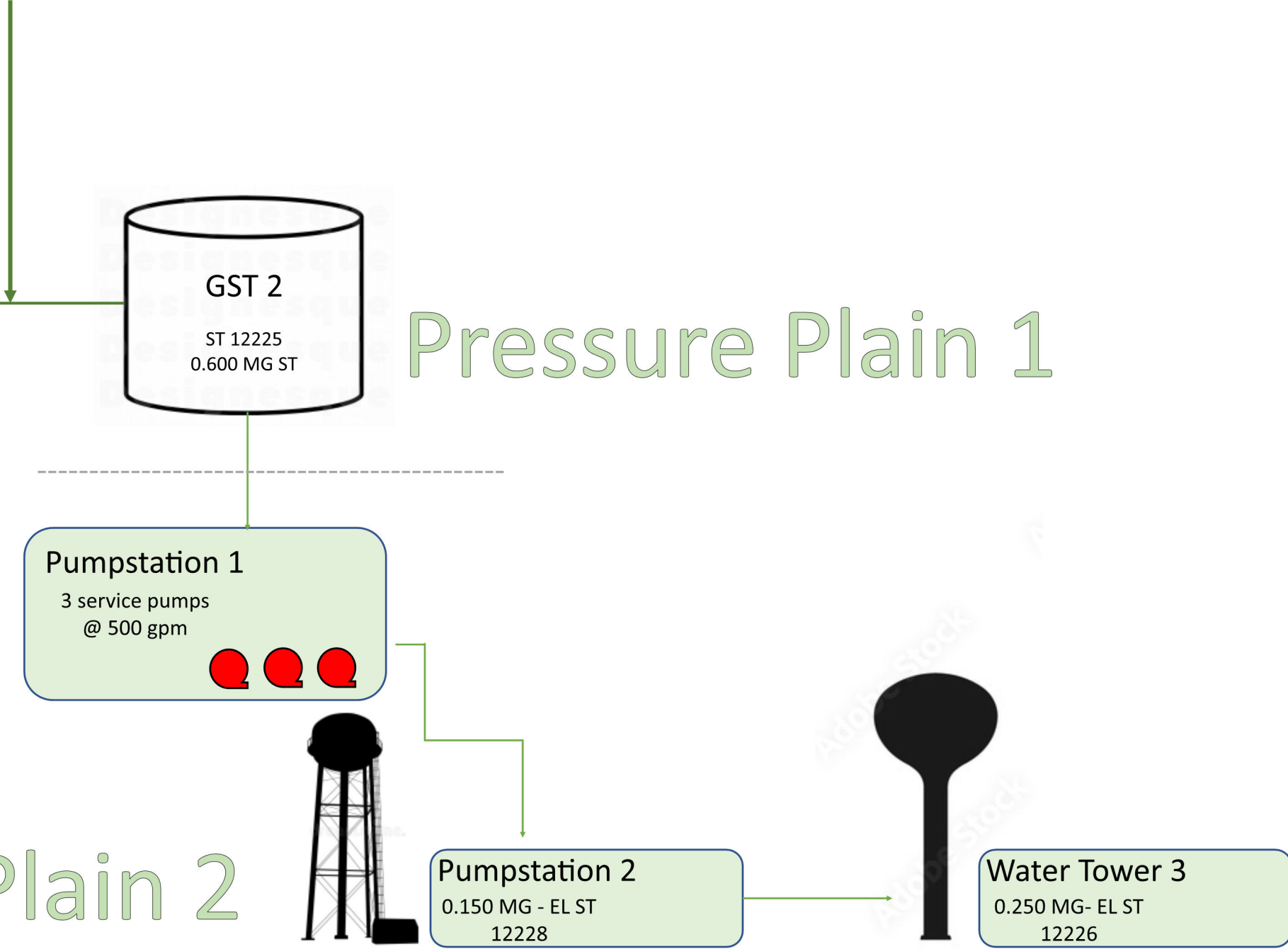
EP 001



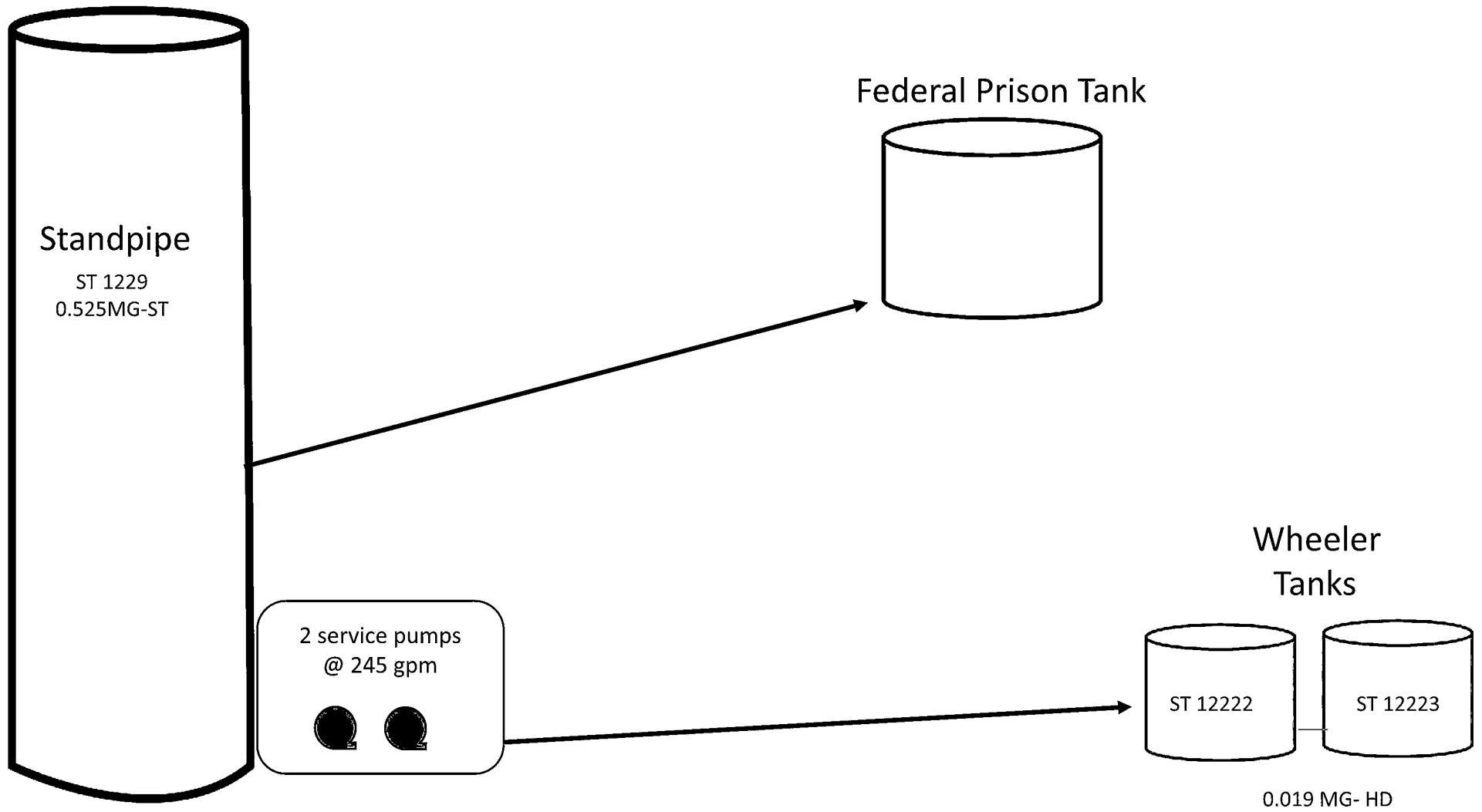
Pressure Plain 1



Pressure Plain 2

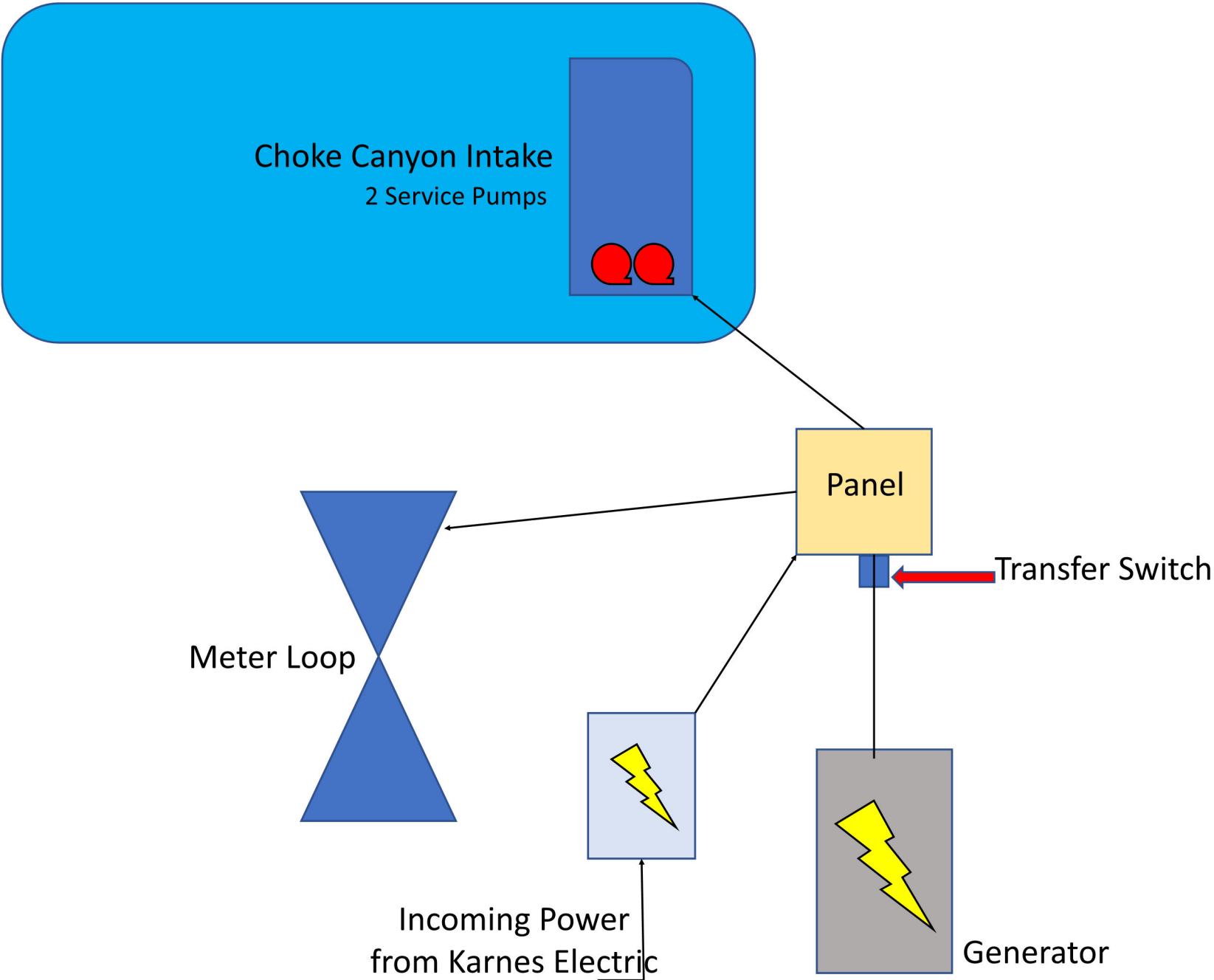


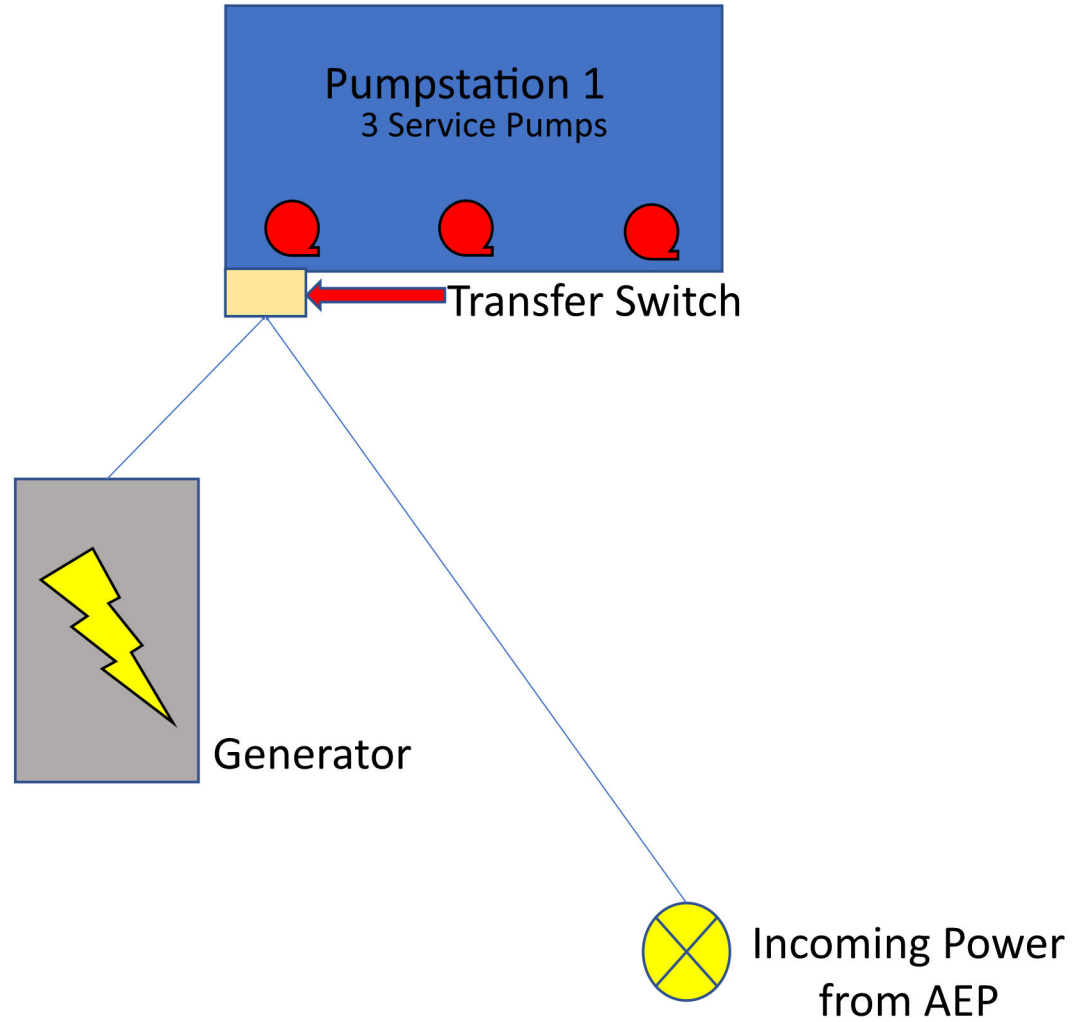
EP 002



Pressure Plain 3

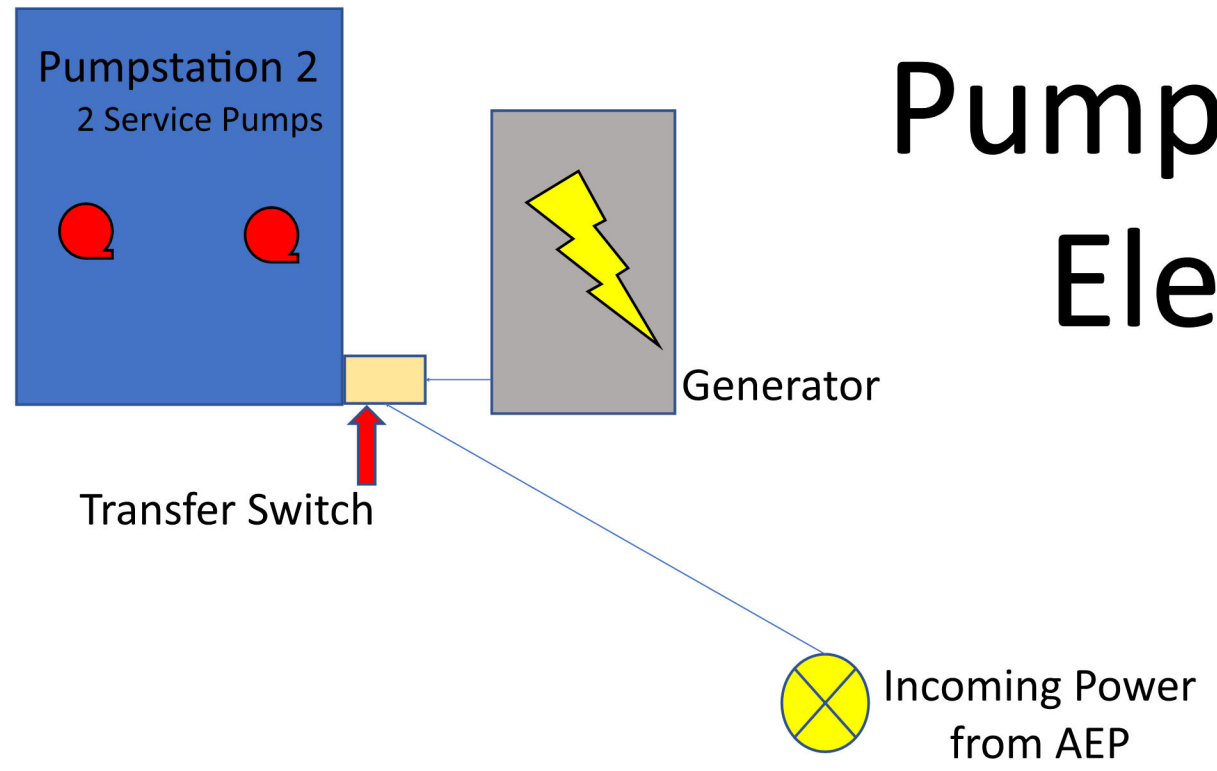
Lake Intake Electrical





Pumpstation 1 Electrical

Pumpstation 2 Electrical



Standpipe Electrical

