



Control Number: 52299



Item Number: 1301

BARTEN WATER/SEWER SUPPLY

P.O. BOX 805

COLUMBUS, TX 78934: 42

2021 DEC 1 10:42 AM
FILING CLERK

November 26, 2021

Public Utility Commission of Texas
Central Records
1201 N. Congress, P.O. Box 13326
Austin, TX 78711-3326

To Whom it May Concern:

With passage of Senate Bill 3 by the 87th Legislature, Barten Water and Sewer Supply Corporation (PWS# 0450022) is identified as an affected utility by the Public Utility Commission of Texas (PCUT) under TWC13.1394 Texas water code. We are obligated to file specific information with the PUCT in Project 52299. This information must also be filed with each transmission and distribution service provider, retail electric provider and our county's Office of Emergency Management.

The following information that must be provided is listed below.

Name of water and sewer utility: Barten Water and Sewer Supply Corp.

Location of utility: 1012 Barten Road, Columbus TX, serving the Barten Subdivision which provides service to 26 residences. A schematic map of the utility is attached.

Person to serve as point of contact: David Vann, phone number (713) 398-0833

Alternate person/point of contact: Thomas Emmons, phone number (210) 313-6059

Affected utility's mailing address: Barten Water and Sewer Supply, P O Box 805,
Columbus, TX 78934

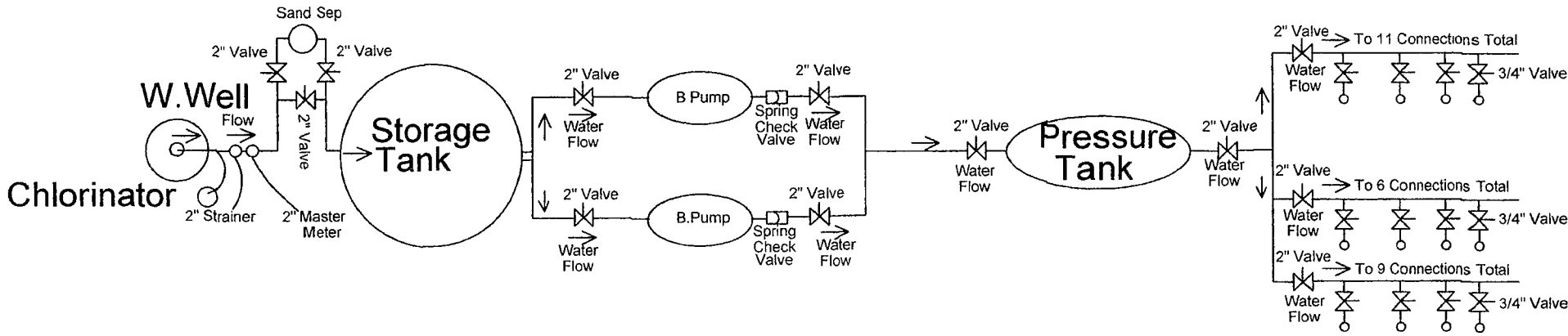
Respectfully,


David Vann, President
Barten Water & Sewer Supply Corp.

Copy to: San Bernard Electric Cooperative, Inc.
Colorado County Office of Emergency Management
e-mail to division of emergency management of the governor at soc@tdem.texas.gov,
requesting this information be filed in Central records, Project 52299

301

Barten Water and Sewer Corp.
1012 Barten Rd. Columbus, Texas 78934
Colorado County PWS# TX0450022





Betty Gast <blgast476@gmail.com>

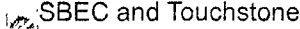
Fwd: TCEQ documents

1 message

David Vann <dvann54@gmail.com>
To: Betty Gast <blgast476@gmail.com>

Mon, Nov 1, 2021 at 2:21 PM

----- Forwarded message -----
From: **James Jouett** <jjouett@sbec.org>
Date: Mon, Nov 1, 2021, 2:19 PM
Subject: RE: TCEQ documents
To: David Vann <dvann54@gmail.com>

James D Jouett
Electric System Manager
jjouett@sbec.org
(800) 364-3171 O
(979) 877-9905 C
(979) 413-7714 D


From: David Vann <dvann54@gmail.com>
Sent: Monday, November 1, 2021 2:16 PM
To: James Jouett <jjouett@sbec.org>
Subject: TCEQ documents

Barten Water & Sewer Corp. P.O. Box 805 Columbus , Texas 78934. Acct. #989305. Meter # 1N603074361 . Thanks for your help!! David Vann president BWSC

2 attachments



San Bernard Electric
Cooperative, Inc.
www.sbec.org

image001.jpg
12K



Water district response letter..docx
14K



San Bernard Electric
Cooperative, Inc.
www.sbec.org

Acknowledgement of receipt for your water utility account.

Thank you for sending the information regarding your account as specified by the Public Utility Commission of Texas.

At the current time the PUCT has not designated any set criteria for electric utilities in determining what is considered critical load. SBEC will prioritize restoration efforts for water utilities until further guidance is adopted from the PUCT. We do not guarantee uninterrupted service.

PUCT is in the rulemaking process and will adopt rules early next year regarding critical water utility loads. This process should provide some clarity around this issue, the criteria for "accepting / designating" any or all accounts as critical loads, and related operational requirements related to critical loads.

Feel free to contact me with any questions or concerns.

Thank you.

James Jouett

jjouett@sbec.org

979-413-7714

San Bernard Electric Cooperative.



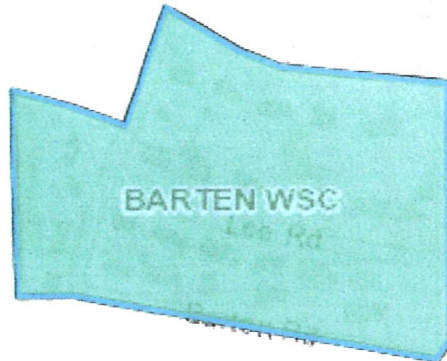
Business



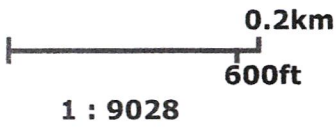
Schabel Rd



OIL FIELD



200 ft



Pointer - DMS: 29° 44' 28.22" N 96° 33' 38.99" W || DD: 29.741172 -96.560832

Service Areas **4549** Download Service Area Selections

PWS ID

PWS Name

... No filter applied

PWS# TX0450022