

EXHIBIT "C-2"
Conceptual One-Line Drawing of Interconnection Facilities (Temporary Facilities)
Blue Summit (170.2 MW) Temporary Interconnection

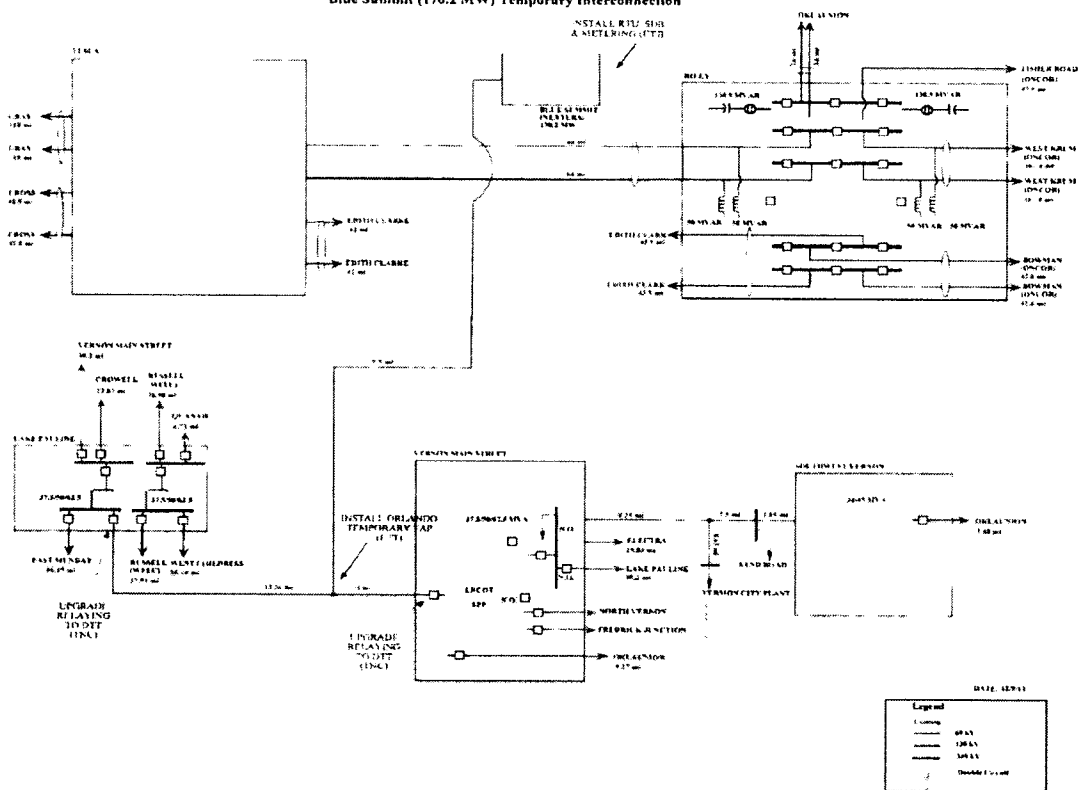


EXHIBIT "D"

NOTICE INFORMATION OF THE INTERCONNECTION AGREEMENT

(a) All notices of an operational nature shall be in writing and/or may be sent between the Parties via electronic means including facsimile as follows:

	If to Generator:	If to Transmission Service Provider:
Company Name:	Blue Summit Wind, LLC	Electric Transmission Texas, LLC c/o American Electric Power Service Corp.
Attn:		Manager, Transmission Dispatching
Address:	700 Universe Boulevard	5502 Corporate Dr.
City, State, Zip:	Juno Beach, Florida 33408	Corpus Christi, TX 78403
24 Hour Phone:		(361) 289-4003
E-mail:		dkkunkel@aep.com

(b) Notices of an administrative nature:

	If to Generator:	If to Transmission Service Provider:
Company Name:	Blue Summit Wind, LLC	Electric Transmission Texas, LLC
Attn:		President
Address:	700 Universe Boulevard	400 W. 15 th St., Suite 800
City, State, Zip:	Juno Beach, Florida 33408	Austin, TX 78701-1677
Fax:		
Phone:		
E-mail:		jccrowder@aep.com
Copy:		
Company Name:	Blue Summit Wind, LLC	Electric Transmission Texas, LLC c/o American Electric Power Service Corp.
Attn:	Associate General Counsel	Director, Transmission & Interconnection Services
Address:	700 Universe Boulevard	212 E. 6th St
City, State, Zip:	Juno Beach, Florida 33408	Tulsa, OK 74119
Fax:	(561) 691-7305	918-594-3579
Phone:	(561) 305-5220	918-599-2723
E-mail:	charles_schultz@nexteraenergy.com	rlpennybaker@aep.com

(c) Notice for statement and billing purposes:

	If to Generator:	If to Transmission Service Provider:
Company Name:	Blue Summit Wind, LLC	Electric Transmission Texas, LLC c/o American Electric Power Service Corp.
Attn:		Accounts Receivable
Address:	700 Universe Boulevard	301 Cleveland Ave SW
City, State, Zip:	Juno Beach, Florida 33408	Canton, OH 44702

(d) Information concerning Electronic Funds Transfers:

	If to Generator:	If to Transmission Service Provider:
Bank Name:		Citibank, N.A.
City, State:		New York, NY
ABA No.		21000089
for credit to		Electric Transmission Texas, LLC
Account No.		30737169

EXHIBIT "E"
SECURITY ARRANGEMENT DETAILS

1. As a condition to TSP's obligation to plan, license, engineer, design, procure equipment and materials, and construct the TIF described in Section 8 of Exhibit "C", Generator will provide a financial security ("Security") in the form of one (1) or more letters of credit ("LC"), corporate guaranty or other form of collateral security reasonably acceptable to TSP in an amount totaling Twenty Million Dollars (\$20,000,000), as required pursuant to Section 8.3 of this Agreement. Such Security shall be provided by the dates and in the amounts set forth in the following schedule:

<u>Date Due</u>	<u>Amount</u>
Within ten (10) business days after the Effective Date of the Original Interconnection Agreement	\$2,000,000
Within three (3) months after the Effective Date of the Original Interconnection Agreement	\$10,330,000
Within six (6) months after the Effective Date of the Original Interconnection Agreement	\$7,670,000

2. Depending upon the creditworthiness of the proposed guarantor, a corporate guaranty may or may not be acceptable Security. If Generator chooses to provide a corporate guaranty, it shall provide any financial reports requested by TSP. If creditworthiness of the proposed guarantor is acceptable to TSP, the corporate guaranty shall be in a form similar to that shown in Exhibit "E-1" or, if in a form not similar to that shown in Exhibit "E-1" in a form acceptable to TSP.

3. LC means one (1) or more irrevocable, transferable standby letters of credit issued by a U.S. commercial bank or a foreign bank with a U.S. branch that has a credit rating of at least A- from Standard and Poor's or an A3 credit rating from Moody's Investors Services. The LC will be maintained with a bank having such credit rating for the entire period that the LC is in effect. TSP reserves the right to request multiple LC providers, depending on the amount of security required. It shall be in a form substantially similar to that shown in Exhibit "E-2" or, if not in a form similar to that shown in Exhibit "E-2," in a form acceptable to TSP. Such LC shall state that it is issued in favor of TSP and specify as its expiry date the date that follows the Commercial Operation Date indicated in Exhibit "B" by one (1) year. Costs of the LC shall be borne by the Generator.

4. TSP may by written notice to Generator require Generator to increase, replenish, or replace the Security from time to time i) if TSP determines in its reasonable discretion that the remaining Security is not adequate to cover the costs that TSP then reasonably estimates could become payable pursuant to this Agreement, ii) in the case of a letter of credit, if at any time the credit rating of the bank issuing the letter of credit no longer meets the criteria set forth in Section 3 above, or iii) in the case of a guaranty, if at any time the creditworthiness of the guarantor is no longer reasonably acceptable to TSP. Generator will tender any such increase, replenishment, or replacement to TSP within thirty (30) days of such notice. Any increase, replenishment, or replacement Security shall meet the requirements of this Exhibit "E". No forbearance or delay on the part of TSP in requiring an increase, replenishment, or replacement of the Security will be a waiver or its right to do so.

EXHIBIT "E-1"
FORM OF CORPORATE GUARANTY

GUARANTY

THIS GUARANTY (this "**Guaranty**"), dated as of _____, ____ (the "**Effective Date**"), is made by NEXTERA ENERGY CAPITAL HOLDINGS, INC. ("**Guarantor**"), in favor of ELECTRIC TRANSMISSION TEXAS, LLC ("**Counterparty**").

RECITALS:

- A. WHEREAS, Counterparty and Guarantor's indirect, wholly-owned subsidiary BLUE SUMMIT WIND ENERGY CENTER ("**Obligor**") have entered into, or concurrently herewith are entering into, that certain System Upgrade Agreement dated as of _____, 20__ (the "**Underlying Agreement**"); and
- B. WHEREAS, Counterparty and Obligor may from time to time enter into one or more transactions pursuant and subject to the terms of the Underlying Agreement (the "**Transactions**"), which Transactions would be evidenced by one or more confirmations entered into by Obligor and Counterparty in accordance with the Underlying Agreement (which documentation shall, together with the Underlying Agreement, collectively be referred to hereinafter as the "**Agreement**"); and
- C. WHEREAS, Guarantor will directly or indirectly benefit from the Transactions to be entered into between Obligor and Counterparty pursuant to the Agreement.

NOW THEREFORE, in consideration of the foregoing premises and as an inducement for Counterparty's execution, delivery and performance of the Agreement, and for other good and valuable consideration, the receipt and sufficiency of which is hereby acknowledged, Guarantor hereby agrees for the benefit of Counterparty as follows:

* * *

1. **GUARANTY.** Subject to the terms and provisions hereof, Guarantor hereby absolutely and irrevocably guarantees the timely payment when due of all obligations owing by Obligor to Counterparty arising pursuant to the Agreement on or after the Effective Date (the "**Obligations**"). This Guaranty shall constitute a guarantee of payment and not of collection. The liability of Guarantor under this Guaranty shall be subject to the following limitations:

- (a) Notwithstanding anything herein or in the Agreement to the contrary, the maximum aggregate obligation and liability of Guarantor under this Guaranty, and the maximum recovery from Guarantor under this Guaranty, shall in no event exceed _____ [spell out the dollar amount] U.S. Dollars (U.S. \$ _____) (the "**Maximum Recovery Amount**").
- (b) The obligation and liability of Guarantor under this Guaranty is specifically limited to payments expressly required to be made under the Agreement, as well as costs of collection and enforcement of this Guaranty (including attorney's fees) to the extent

reasonably and actually incurred by the Counterparty (subject in all instances, to the limitations imposed by the Maximum Recovery Amount as specified in Section 1(a) above). In no event, however, shall Guarantor be liable for or obligated to pay any consequential, indirect, incidental, lost profit, special, exemplary, punitive, equitable or tort damages.

2. **DEMANDS AND PAYMENT.**

- (a) If Obligor fails to pay any Obligation to Counterparty when such Obligation is due and owing under the Agreement (an “**Overdue Obligation**”), Counterparty may present a written demand to Guarantor calling for Guarantor’s payment of such Overdue Obligation pursuant to this Guaranty (a “**Payment Demand**”).
- (b) Guarantor’s obligation hereunder to pay any particular Overdue Obligation(s) to Counterparty is conditioned upon Guarantor’s receipt of a Payment Demand from Counterparty satisfying the following requirements: (i) such Payment Demand must identify the specific Overdue Obligation(s) covered by such demand, the specific date(s) upon which such Overdue Obligation(s) became due and owing under the Agreement, and the specific provision(s) of the Agreement pursuant to which such Overdue Obligation(s) became due and owing; (ii) such Payment Demand must be delivered to Guarantor in accordance with Section 9 below; and (iii) the specific Overdue Obligation(s) addressed by such Payment Demand must remain due and unpaid at the time of such delivery to Guarantor.
- (c) After issuing a Payment Demand in accordance with the requirements specified in Section 2(b) above, Counterparty shall not be required to issue any further notices or make any further demands with respect to the Overdue Obligation(s) specified in that Payment Demand, and Guarantor shall be required to make payment with respect to the Overdue Obligation(s) specified in that Payment Demand within five (5) Business Days after Guarantor receives such demand. As used herein, the term “**Business Day**” shall mean all weekdays (*i.e.*, Monday through Friday) other than any weekdays during which commercial banks or financial institutions are authorized to be closed to the public in the State of Florida or the State of New York.

3. **REPRESENTATIONS AND WARRANTIES.** Guarantor represents and warrants that:

- (a) it is a corporation duly organized and validly existing under the laws of the State of Florida and has the corporate power and authority to execute, deliver and carry out the terms and provisions of the Guaranty;
- (b) no authorization, approval, consent or order of, or registration or filing with, any court or other governmental body having jurisdiction over Guarantor is required on the part of Guarantor for the execution and delivery of this Guaranty; and
- (c) this Guaranty constitutes a valid and legally binding agreement of Guarantor, enforceable against Guarantor in accordance with the terms hereof, except as the enforceability

thereof may be limited by the effect of any applicable bankruptcy, insolvency, reorganization, moratorium or similar laws affecting creditors' rights generally and by general principles of equity.

4. **RESERVATION OF CERTAIN DEFENSES.** Without limiting Guarantor's own defenses and rights hereunder, Guarantor reserves to itself all rights, setoffs, counterclaims and other defenses to which Obligor is or may be entitled arising from or out of the Agreement, except for defenses (if any) based upon the bankruptcy, insolvency, dissolution or liquidation of Obligor or any lack of power or authority of Obligor to enter into and/or perform the Agreement.

5. **AMENDMENT OF GUARANTY.** No term or provision of this Guaranty shall be amended, modified, altered, waived or supplemented except in a writing signed by Guarantor and Counterparty.

6. **WAIVERS AND CONSENTS.** Subject to and in accordance with the terms and provisions of this Guaranty:

- (a) Except as required in *Section 2* above, Guarantor hereby waives (i) notice of acceptance of this Guaranty; (ii) presentment and demand concerning the liabilities of Guarantor; and (iii) any right to require that any action or proceeding be brought against Obligor or any other person, or to require that Counterparty seek enforcement of any performance against Obligor or any other person, prior to any action against Guarantor under the terms hereof.
- (b) No delay by Counterparty in the exercise of (or failure by Counterparty to exercise) any rights hereunder shall operate as a waiver of such rights, a waiver of any other rights or a release of Guarantor from its obligations hereunder (with the understanding, however, that the foregoing shall not be deemed to constitute a waiver by Guarantor of any rights or defenses which Guarantor may at any time have pursuant to or in connection with any applicable statutes of limitation).
- (c) Without notice to or the consent of Guarantor, and without impairing or releasing Guarantor's obligations under this Guaranty, Counterparty may: (i) change the manner, place or terms for payment of all or any of the Obligations (including renewals, extensions or other alterations of the Obligations); (ii) release Obligor or any person (other than Guarantor) from liability for payment of all or any of the Obligations; or (iii) receive, substitute, surrender, exchange or release any collateral or other security for any or all of the Obligations.

7. **REINSTATEMENT.** Guarantor agrees that this Guaranty shall continue to be effective or shall be reinstated, as the case may be, if all or any part of any payment made hereunder is at any time avoided or rescinded or must otherwise be restored or repaid by Counterparty as a result of the bankruptcy or insolvency of Obligor, all as though such payments had not been made.

8. **TERMINATION.** Guarantor may terminate this Guaranty by providing a written termination notice to Counterparty specifying the date upon which such termination will take effect (*provided* that no such termination shall take effect prior to 5:00 p.m. (Eastern Prevailing Time) on the fifth (5th) Business Day after the termination notice has been delivered to

Counterparty in accordance with Section 9 hereof). Upon the effectiveness of such termination, Guarantor shall have no further liability hereunder, except as may pertain pursuant to the last sentence of this paragraph. No such termination shall affect Guarantor's liability with respect to any Obligations arising under any Transactions entered into prior to the time such termination is effective, which Obligations shall remain subject to this Guaranty.

Unless terminated earlier, this Guaranty and the Guarantor's obligations hereunder will terminate automatically and immediately [upon the **second anniversary of the Effective Date** at 11:59:59 Eastern Prevailing Time [_____, 20__]]; *provided, however*, that no such termination shall affect Guarantor's liability with respect to any Obligations arising under any Transactions entered into prior to the time the termination is effective, which Obligation shall remain subject to this Guaranty.

9. **NOTICE.** Any Payment Demand, notice, request, instruction, correspondence or other document to be given hereunder (herein collectively called "Notice") by Counterparty to Guarantor, or by Guarantor to Counterparty, as applicable, shall be in writing and may be delivered either by (i) U.S. certified mail with postage prepaid and return receipt requested, or (ii) recognized nationwide courier service with delivery receipt requested, in either case to be delivered to the following address (or to such other U.S. address as may be specified via Notice provided by Guarantor or Counterparty, as applicable, to the other in accordance with the requirements of this Section 9):

<u>TO GUARANTOR:</u> *	<u>TO COUNTERPARTY:</u>
<p>NextEra Energy Capital Holdings, Inc. 700 Universe Blvd. Juno Beach, Florida 33408 <i>Attn:</i> Treasurer</p> <p><i>[Tel: (561) 694-6204 -- for use in connection with courier deliveries]</i></p>	<p>Electric Transmission Texas, LLC J. Calvin Crowder, President 400 W. 15th St., Suite 800 Austin, TX 78701-1677 jccrowder@aep.com</p> <p>and</p> <p>American Electric Power Service Corporation Robert L. Pennybaker Director, Transmission & Interconnection Services rlpennybaker@aep.com</p> <p>and</p> <p>Joseph P. Hassink Director, Transmission Planning 212 E. 6th Street Tulsa, OK 74119 phassink@aep.com</p>

- * *(NOTE: Copies of any Notices to Guarantor under this Guaranty shall also be sent via facsimile to ATTN: Contracts Group, Legal, Fax No. (561) 625-7504 and ATTN: Credit Department, Fax No. (561) 625-7642. However, such facsimile transmissions shall not be deemed effective for delivery purposes under this Guaranty.)*

Any Notice given in accordance with this Section 9 will (i) if delivered during the recipient's normal business hours on any given Business Day, be deemed received by the designated recipient on such date, and (ii) if not delivered during the recipient's normal business hours on any given Business Day, be deemed received by the designated recipient at the start of the recipient's normal business hours on the next Business Day after such delivery.

10. MISCELLANEOUS.

- (a) This Guaranty shall in all respects be governed by, and construed in accordance with, the law of the State of New York, without regard to principles of conflicts of laws thereunder (other than Sections 5-1401 and 5-1402 of the New York General Obligations Law).
- (b) This Guaranty shall be binding upon Guarantor and its successors and permitted assigns and inure to the benefit of and be enforceable by Counterparty and its successors and permitted assigns. Guarantor may not assign this Guaranty in part or in whole without the prior written consent of Counterparty. Counterparty may not assign its rights or benefits under this Guaranty in part or in whole without the prior written consent of Guarantor.
- (c) This Guaranty embodies the entire agreement and understanding between Guarantor and Counterparty and supersedes all prior agreements and understandings relating to the subject matter hereof.
- (d) The headings in this Guaranty are for purposes of reference only, and shall not affect the meaning hereof. Words importing the singular number hereunder shall include the plural number and vice versa, and any pronouns used herein shall be deemed to cover all genders. The term "person" as used herein means any individual, corporation, partnership, joint venture, association, joint-stock company, trust, unincorporated association, or government (or any agency or political subdivision thereof).
- (e) Wherever possible, any provision in this Guaranty which is prohibited or unenforceable in any jurisdiction shall, as to such jurisdiction, be ineffective only to the extent of such prohibition or unenforceability without invalidating the remaining provisions hereof, and any such prohibition or unenforceability in any one jurisdiction shall not invalidate or render unenforceable such provision in any other jurisdiction.
- (f) Counterparty (by its acceptance of this Guaranty) and Guarantor each hereby irrevocably:
 - (i) consents and submits to the exclusive jurisdiction of the United States District Court for the Southern District of New York, or if that court does not have subject matter

jurisdiction, to the exclusive jurisdiction of the Supreme Court of the State of New York, New York County (without prejudice to the right of any party to remove to the United States District Court for the Southern District of New York) for the purposes of any suit, action or other proceeding arising out of this Guaranty or the subject matter hereof or any of the transactions contemplated hereby brought by Counterparty, Guarantor or their respective successors or assigns; and (ii) waives (to the fullest extent permitted by applicable law) and agrees not to assert any claim that it is not personally subject to the jurisdiction of the above-named courts, that the suit, action or proceeding is brought in an inconvenient forum, that the venue of the suit, action or proceeding is improper or that this Guaranty or the subject matter hereof may not be enforced in or by such court.

- (g) COUNTERPARTY (BY ITS ACCEPTANCE OF THIS GUARANTY) AND GUARANTOR EACH HEREBY IRREVOCABLY, INTENTIONALLY AND VOLUNTARILY WAIVES THE RIGHT TO TRIAL BY JURY WITH RESPECT TO ANY LEGAL PROCEEDING BASED ON, OR ARISING OUT OF, UNDER OR IN CONNECTION WITH, THIS GUARANTY OR THE AGREEMENT, OR ANY COURSE OF CONDUCT, COURSE OF DEALING, STATEMENTS (WHETHER VERBAL OR WRITTEN) OR ACTIONS OF ANY PERSON RELATING HERETO OR THERETO. THIS PROVISION IS A MATERIAL INDUCEMENT TO GUARANTOR'S EXECUTION AND DELIVERY OF THIS GUARANTY.

* * *

IN WITNESS WHEREOF, the Guarantor has executed this Guaranty on _____, 20__, but it is effective as of the Effective Date.

NEXTERA ENERGY CAPITAL HOLDINGS,
INC.

By: _____

Name: _____

Title: _____

EXHIBIT "E-2"

[ISSUING BANK] IRREVOCABLE STANDBY LETTER OF CREDIT

DATE OF ISSUANCE:

[Date of issuance]

[BENEFICIARY] ("Beneficiary")

[Address]

Attention: [Contact Person]

Re: [ISSUING BANK] Irrevocable Standby Letter of Credit No. _____

Sirs/Mesdames:

We hereby establish in favor of Beneficiary (sometimes alternatively referred to herein as "you") this Irrevocable Standby Letter of Credit No. _____ (the "Letter of Credit") for the account of [NextEra Energy Capital Holdings, Inc.] [--- Address ---] and [PROJECT COMPANY, (--- Address ---)] ("Account Parties"), effective immediately and expiring on the date determined as specified in numbered paragraphs 5 and 6 below.

We have been informed that this Letter of Credit is issued pursuant to the terms of that certain [describe the underlying agreement which requires this LC].

1. **Stated Amount.** The maximum amount available for drawing by you under this Letter of Credit shall be [written dollar amount] United States Dollars (US\$[dollar amount]) (such maximum amount referred to as the "Stated Amount").

2. **Drawings.** A drawing hereunder may be made by you on any Business Day on or prior to the date this Letter of Credit expires by delivering to [ISSUING BANK], at any time during its business hours on such Business Day, at [bank address] (or at such other address as may be designated by written notice delivered to you as contemplated by numbered paragraph 9 hereof), a copy of this Letter of Credit together with (i) a Draw Certificate executed by an authorized person substantially in the form of Attachment A hereto (the "Draw Certificate"), appropriately completed and signed by your authorized officer (signing as such) and (ii) your draft substantially in the form of Attachment B hereto (the "Draft"), appropriately completed and signed by your authorized officer (signed as such). Partial drawings and multiple presentations may be made under this Letter of Credit. Draw Certificates and Drafts under this Letter of Credit may be presented by Beneficiary by means of facsimile or original documents sent by overnight delivery or courier to [ISSUING BANK] at our address set forth above, Attention: _____ (or at such other address as may be designated by written notice delivered to you as contemplated by numbered paragraph 9 below). In the event of a presentation by facsimile transmission, the original of such documents need not be sent to us.

3. **Time and Method for Payment.** We hereby agree to honor a drawing hereunder made in compliance with this Letter of Credit by transferring in immediately available funds the

amount specified in the Draft delivered to us in connection with such drawing to such account at such bank in the United States as you may specify in your Draw Certificate. If the Draw Certificate is presented to us at such address by 12:00 noon, [_____] time on any Business Day, payment will be made not later than our close of business on third succeeding business day and if such Draw Certificate is so presented to us after 12:00 noon, [_____] time on any Business Day, payment will be made on the fourth succeeding Business Day. In clarification, we agree to honor the Draw Certificate as specified in the preceding sentences, without regard to the truth or falsity of the assertions made therein.

4. **Non-Conforming Demands.** If a demand for payment made by you hereunder does not, in any instance, conform to the terms and conditions of this Letter of Credit, we shall give you prompt notice that the demand for payment was not effectuated in accordance with the terms and conditions of this Letter of Credit, stating the reasons therefor and that we will upon your instructions hold any documents at your disposal or return the same to you. Upon being notified that the demand for payment was not effectuated in conformity with this Letter of Credit, you may correct any such non-conforming demand.

5. **Expiration.** This Letter of Credit shall automatically expire at the close of business on the date on which we receive a Cancellation Certificate in the form of *Attachment C* hereto executed by your authorized officer and sent along with the original of this Letter of Credit and all amendments (if any).

6. **Initial Period and Automatic Rollover.** The initial period of this Letter of Credit shall terminate on [*one year from the issuance date*] (the “**Initial Expiration Date**”). The Letter of Credit shall be automatically extended without amendment for one (1) year periods from the Initial Expiration Date or any future expiration date, unless at least ninety (90) days prior to any such expiration date we send you notice by registered mail or courier at your address first shown (or such other address as may be designated by you as contemplated by numbered *paragraph 9*) that we elect not to consider this Letter of Credit extended for any such additional one year period.

7. **Business Day.** As used herein, “**Business Day**” shall mean any day on which commercial banks are not authorized or required to close in the State of [New York], and inter-bank payments can be effected on the Fedwire system.

8. **Governing Law.** THIS LETTER OF CREDIT IS GOVERNED BY, AND CONSTRUED IN ACCORDANCE WITH THE LAWS OF THE STATE OF NEW YORK, AND, EXCEPT AS OTHERWISE EXPRESSLY STATED HEREIN, TO THE INTERNATIONAL STANDBY PRACTICES, ICC PUBLICATION NO. 590 (THE “ISP98”), AND IN THE EVENT OF ANY CONFLICT, THE LAWS OF THE STATE OF NEW YORK WILL CONTROL, WITHOUT REGARD TO PRINCIPLES OF CONFLICT OF LAWS.

9. **Notices.** All communications to you in respect of this Letter of Credit shall be in writing and shall be delivered to the address first shown for you above or such other address as may from time to time be designated by you in a written notice to us. All documents to be presented to us

hereunder and all other communications to us in respect of this Letter of Credit, which other communications shall be in writing, shall be delivered to the address for us indicated above, or such other address as may from time to time be designated by us in a written notice to you.

10. **Irrevocability.** This Letter of Credit is irrevocable.

11. **Complete Agreement.** This Letter of Credit sets forth in full our undertaking, and such undertaking shall not in any way be modified, amended, amplified or limited by reference to any document, instrument or agreement referred to herein, except for the ISP98 and Attachment A, Attachment B and Attachment C hereto and the notices referred to herein and any such reference shall not be deemed to incorporate herein by reference any document, instrument or agreement except as set forth above.

* * *

SINCERELY,
[ISSUING BANK]

By: _____

Title: _____

Address: _____

EXHIBIT "E-3"
FORM OF DRAW CERTIFICATE

The undersigned hereby certifies to [ISSUING BANK] ("Issuer"), with reference to Irrevocable Letter of Credit No. _____ (the "Letter of Credit") issued by Issuer in favor of the undersigned ("Beneficiary"), as follows:

- (1) The undersigned is the _____ of Beneficiary and is duly authorized by Beneficiary to execute and deliver this Certificate on behalf of Beneficiary.
- (2) Beneficiary hereby makes demand against the Letter of Credit by Beneficiary's presentation of the draft accompanying this Certificate, for payment of _____ U.S. dollars (US\$_____), which amount, when aggregated together with any additional amount that has not been drawn under the Letter of Credit, is not in excess of the Stated Amount (as in effect of the date hereof).
- (3) The conditions for a drawing by Beneficiary pursuant to [*describe the draw conditions from the underlying agreement*].
- (4) You are hereby directed to make payment of the requested drawing to: (insert wire instructions)

Beneficiary Name and Address:

By: _____

Title: _____

Date: _____

- (5) Capitalized terms used herein and not otherwise defined herein shall have the respective meanings set forth in the Letter of Credit.

[BENEFICIARY]

By: _____

Title: _____

Date: _____

EXHIBIT "E-4"
DRAWING UNDER IRREVOCABLE LETTER OF CREDIT NO.

Date:

PAY TO: *[BENEFICIARY]*

U.S.\$ _____

FOR VALUE RECEIVED AND CHARGE TO THE ACCOUNT OF LETTER OF CREDIT NO.
_____.

[BENEFICIARY]

By: _____

Title: _____

Date: _____

EXHIBIT "E-5"

CANCELLATION CERTIFICATE

Irrevocable Letter of Credit No. _____

The undersigned, being authorized by the undersigned ("**Beneficiary**"), hereby certifies on behalf of Beneficiary to [ISSUING BANK] ("**Issuer**"), with reference to Irrevocable Letter of Credit No. _____ issued by Issuer to Beneficiary (the "**Letter of Credit**"), that all obligations of [PROJECT ENTITY], an affiliate of the Account Parties, under the [*describe the underlying agreement which requires this LC*] have been fulfilled.

Pursuant to Section 5 thereof, the Letter of Credit shall expire upon Issuer's receipt of this certificate.

Capitalized terms used herein and not otherwise defined herein shall have the respective meanings set forth in the Letter of Credit.

[*BENEFICIARY*]

By: _____

Title: _____

Date: _____

**AMENDMENT NO. 2 TO THE
INTERCONNECTION AGREEMENT
BETWEEN
ELECTRIC TRANSMISSION TEXAS, LLC
AND
BLUE SUMMIT WIND, LLC**

This Amendment No.2 to the Interconnection Agreement between Electric Transmission Texas, LLC and Blue Summit Wind, LLC (this "Amendment") is made and entered into this 27th day of JUNE, 2012 (the "Amendment Effective Date"), made by and between Electric Transmission Texas, LLC ("Transmission Service Provider"), and Blue Summit Wind, LLC ("Generator"). Transmission Service Provider and Generator are each sometimes hereinafter referred to individually as "Party" or both referred to collectively as "Parties."

WITNESSETH

WHEREAS, Transmission Service Provider and Generator are parties to that certain Interconnection Agreement dated February 22, 2012 (the "Interconnection Agreement");

WHEREAS, the Interconnection Agreement provides terms and conditions that allow for the amendment to the Interconnection Agreement as mutually agreed by the Parties; and

WHEREAS, the Parties have agreed to amend Exhibit "C" of the Interconnection Agreement as provided for herein: and

WHEREAS, the Parties have agreed to amend Exhibit "E" of the Interconnection Agreement as provided for herein.

NOW, THEREFORE, in consideration of the foregoing premises and the mutual covenants set forth herein, the Parties agree as follows:

I. CAPITALIZED TERMS

Capitalized terms used but not otherwise defined herein shall have the meanings specified in the Interconnection Agreement, as amended and supplemented by this Amendment.

II. AMENDMENTS

A) Effective as of the Amendment Effective Date above, Section 4 and 5 of Exhibit "C" (Interconnection Details) of the Interconnection Agreement is hereby amended to read as follows:

"4. Number and size of Generating Units: Nominal 135.4 MW Plant capacity comprised of 6 units @ 1.5 MW each; and 79 units @ 1.6 MW each

5. Type of Generating Units: GE XLE wind turbines"

B) Effective as of the Amendment Effective Date above, Section 1 of Exhibit "E" (Security Arrangement Details) of the Interconnection Agreement is hereby amended to read as follows:

"1. As a condition to TSP's obligation to plan, license, engineer, design, procure equipment and materials, and construct the TIF described in Section 8 of Exhibit "C", Generator will provide a financial security ("Security") in the form of one (1) or more letters of credit ("LC"), corporate guaranty or other form of collateral security reasonably acceptable to TSP in an amount totaling Twenty Million Dollars (\$20,000,000), as required pursuant to Section 8.3 of this Agreement. Such Security shall be provided by the dates and in the amounts set forth in the following schedule:

<u>Date Due</u>	<u>Amount</u>
Within ten (10) business days after the Effective Date of the Original Interconnection Agreement	\$2,000,000
Within three (3) months after the Effective Date of the Original Interconnection Agreement	\$10,330,000
Within six (6) months after the Effective Date of the Original Interconnection Agreement	\$7,670,000"

III. RATIFICATION OF OTHER TERMS

All other terms and conditions of the Interconnection Agreement which are not specifically amended by this Amendment shall remain unchanged and are hereby ratified by the Parties and shall continue to be in full force and effect.

IN WITNESS WHEREOF, the Parties have caused this Amendment to be executed in two (2) counterparts, each of which shall be deemed an original but both shall constitute one and the same instrument.

ELECTRIC TRANSMISSION TEXAS, LLC

By: J. Calvin Crowder
J. Calvin Crowder
President

Date: 6-27-12

ETT LEGAL
BY: A. L. Hobbs
DATE: 6-27-2012

BLUE SUMMIT WIND, LLC

By: Mike O'Sullivan
Mike O'Sullivan
Vice President

Date: Jun 19, 2012 OS