

SOUTH TEXAS ELECTRIC COOPERATIVE, INC.					DWC NO CA-IA
P O BOX 119		NURSERY, TEXAS 77976			
CALALLEN 69/12.47kV SUBSTATION					FACILITY SCHEDULE 12
NUECES COUNTY					
CALALLEN TIE					
DWN BY CA	CKD BY	APPD BY	SCALE NA	DATE 1/04	

FACILITY SCHEDULE NO. 13

1. Name: **San Miguel**
2. Facility Location: Cooperative's San Miguel 138/69kV Station at San Miguel Power Plant, Atascosa County
3. Delivery Voltage: 138 kV
4. Metered Voltage: 138 kV from the 138 kV bus PT's and free standing CT's in the Dilley 138kV line terminal
5. Loss Adjustment Due To Meter Location: None
6. Normal Operation of Interconnection: Closed
7. One-Line Diagram Attached: Yes
8. Description of Facilities Installed and Owned by Each Party:

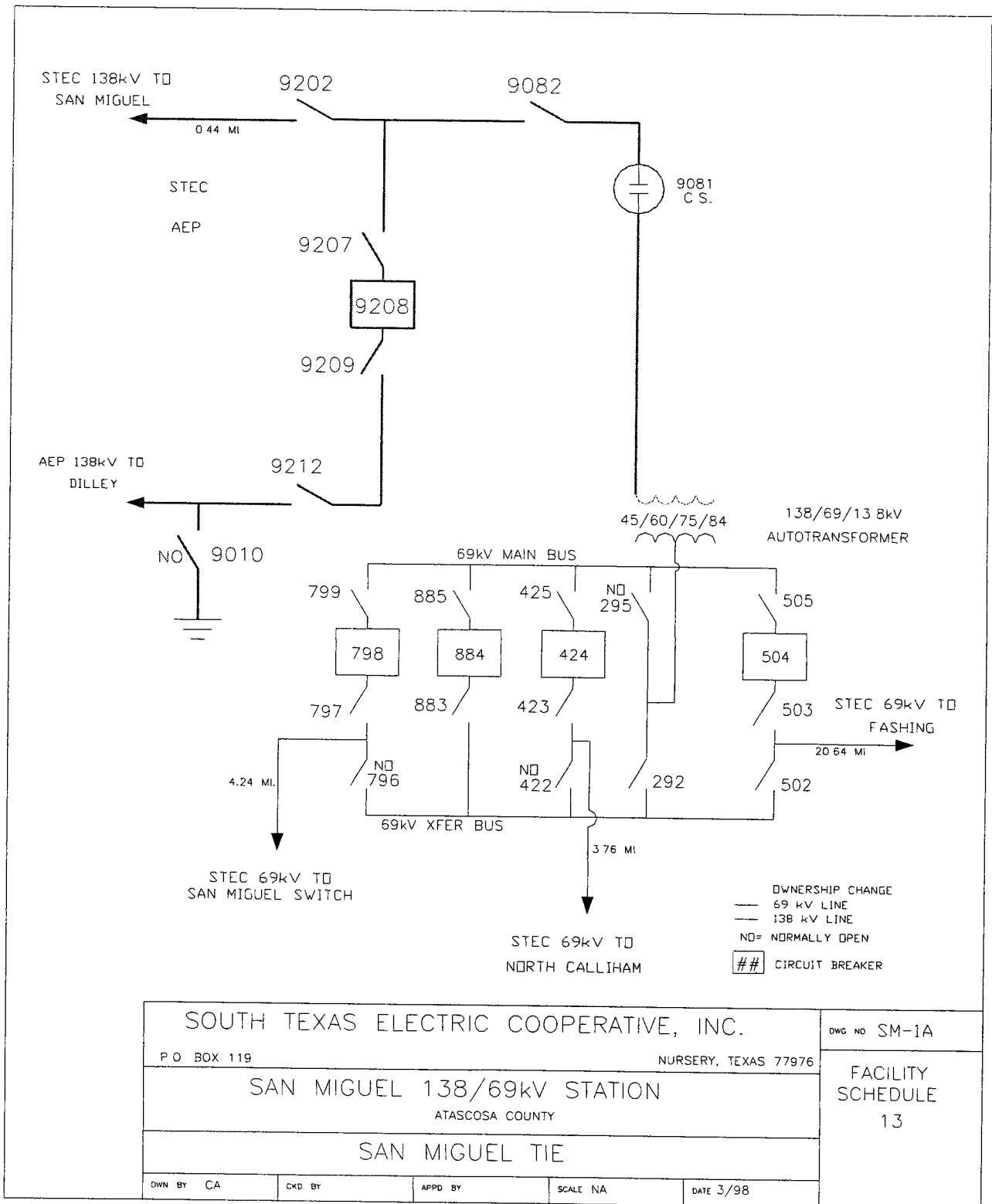
Company owns the 138 kV circuit breaker 9208 and associated equipment including switches 9207, 9209, 9010, and 9212 and the 138kV line constructed from the Company's Dilley Switching station to this station and a Supervisory Remote Terminal Unit (RTU) for status indication and telemetry. Company and Cooperative purchased the associated telecommunication equipment.

Cooperative owns all other equipment at the San Miguel 138/68kV station.
9. Operational Responsibilities of Each Party:

Cooperative operates all equipment in this station. Company and Cooperative operate air switch 9212 and ground switch 9010 as per Cooperative dispatch instructions.
10. Maintenance Responsibilities of Each Party:

Maintenance is the responsibility of the equipment owner.
11. Other Terms and Conditions:

Company must coordinate entry to the San Miguel Plant site with the Cooperative System Operator and San Miguel Electric Cooperative.

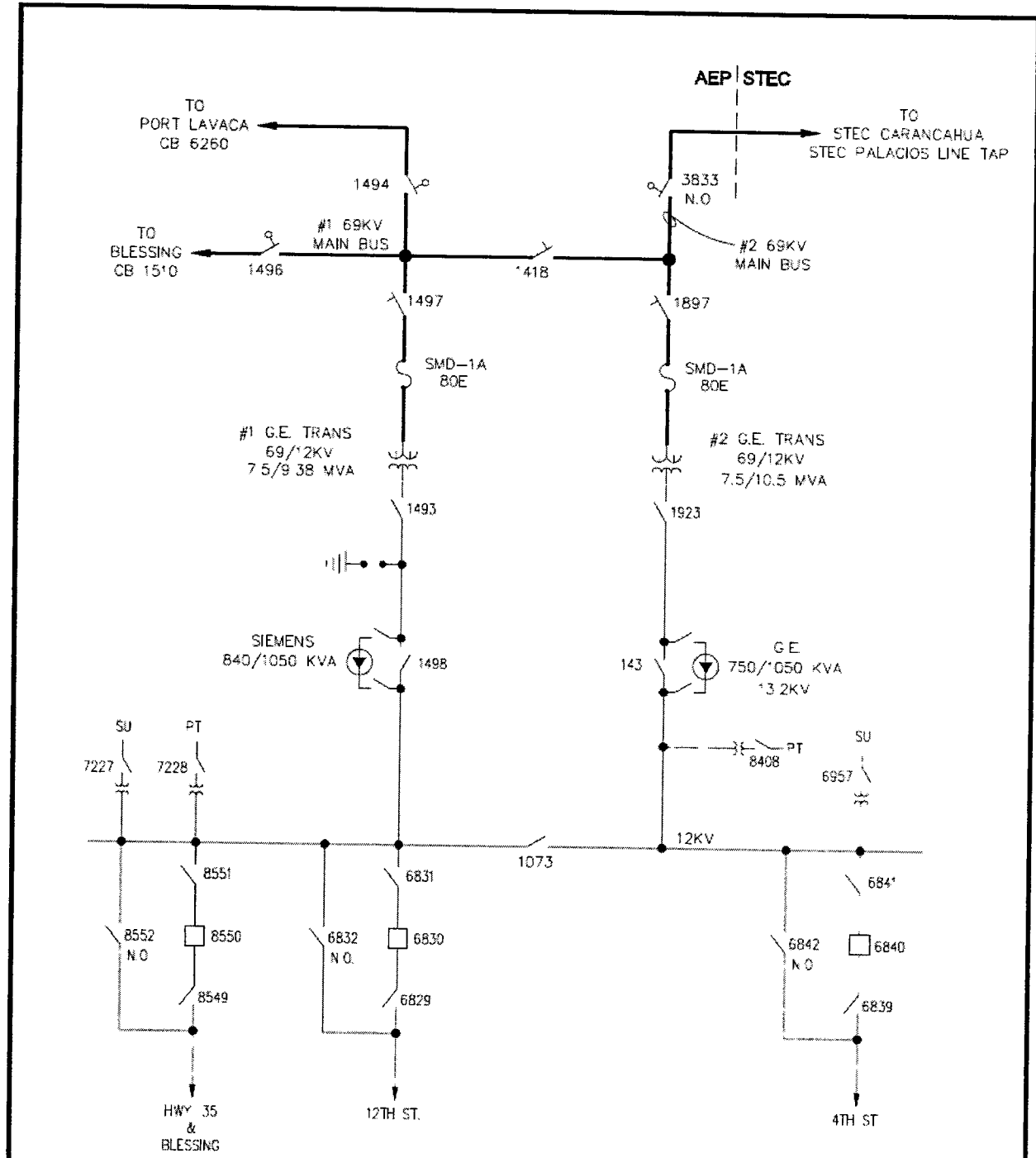


SOUTH TEXAS ELECTRIC COOPERATIVE, INC.					DWG NO SM-1A
P O BOX 119		NURSERY, TEXAS 77976			FACILITY SCHEDULE 13
SAN MIGUEL 138/69kV STATION					
ATASCOSA COUNTY					
SAN MIGUEL TIE					
DWN BY CA	CKD BY	APPD BY	SCALE NA	DATE 3/98	

FACILITY SCHEDULE NO. 14

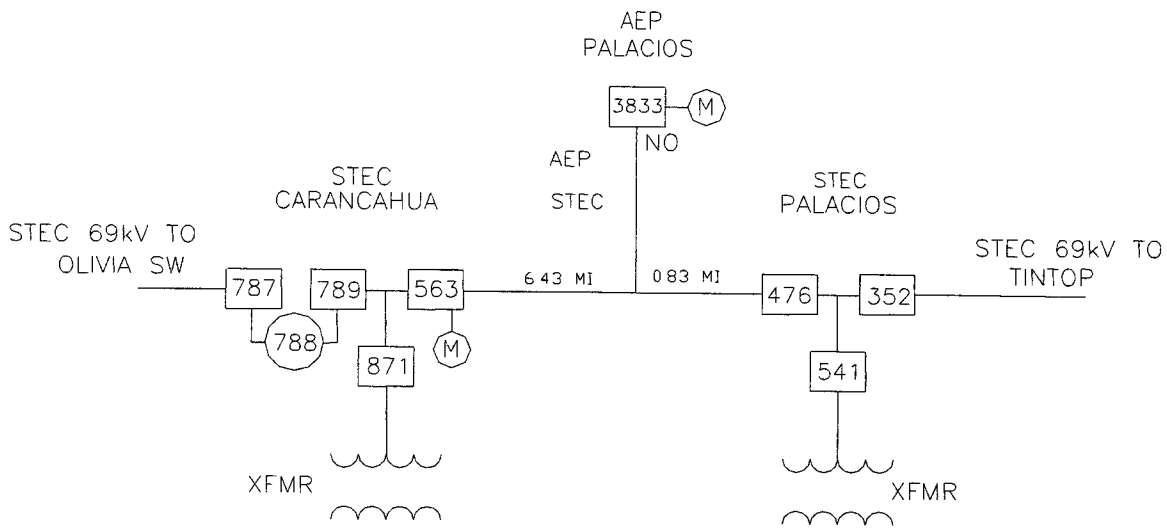
1. Name: **Palacios**
2. Facility Location: Company's Palacios Substation in Matagorda County
3. Delivery Voltage: 69 kV
4. Metered Voltage: None
5. Loss Adjustment Due To Meter Location: None
6. Normal Operation of Interconnection: Open
7. One-Line Diagram Attached: Yes
8. Description of Facilities Installed and Owned by Each Party:
Company owns the motor operated switch at the interconnection and all other equipment at the Company's Palacios substation.

Cooperative owns the 69kV transmission line connecting the Cooperative's Palacios substation to the Cooperative's Carancahua Substation which is tapped by this interconnection.
9. Operational Responsibilities of Each Party:
Switch 3833 is dispatched by Company and operated by Company or Cooperative through appropriate switching order.
10. Maintenance Responsibilities of Each Party:
Company maintains switch # 3833.
11. Other Terms and Conditions : None



ENTIRE STATION OWNED
& OPERATED BY AEP
EXCEPT AS NOTED

TEXAS CENTRAL COMPANY		PALACIOS #3084		69/12KV	
APP'D BY :	DR. BY : RLC	CH. BY :	DATE : 12/16/09	ONE LINE DIAGRAM	
		1 RIVERSIDE PLAZA COLUMBUS, OH 43215		Work Order #:	
				DWG. No. 3084SO01	REV 3

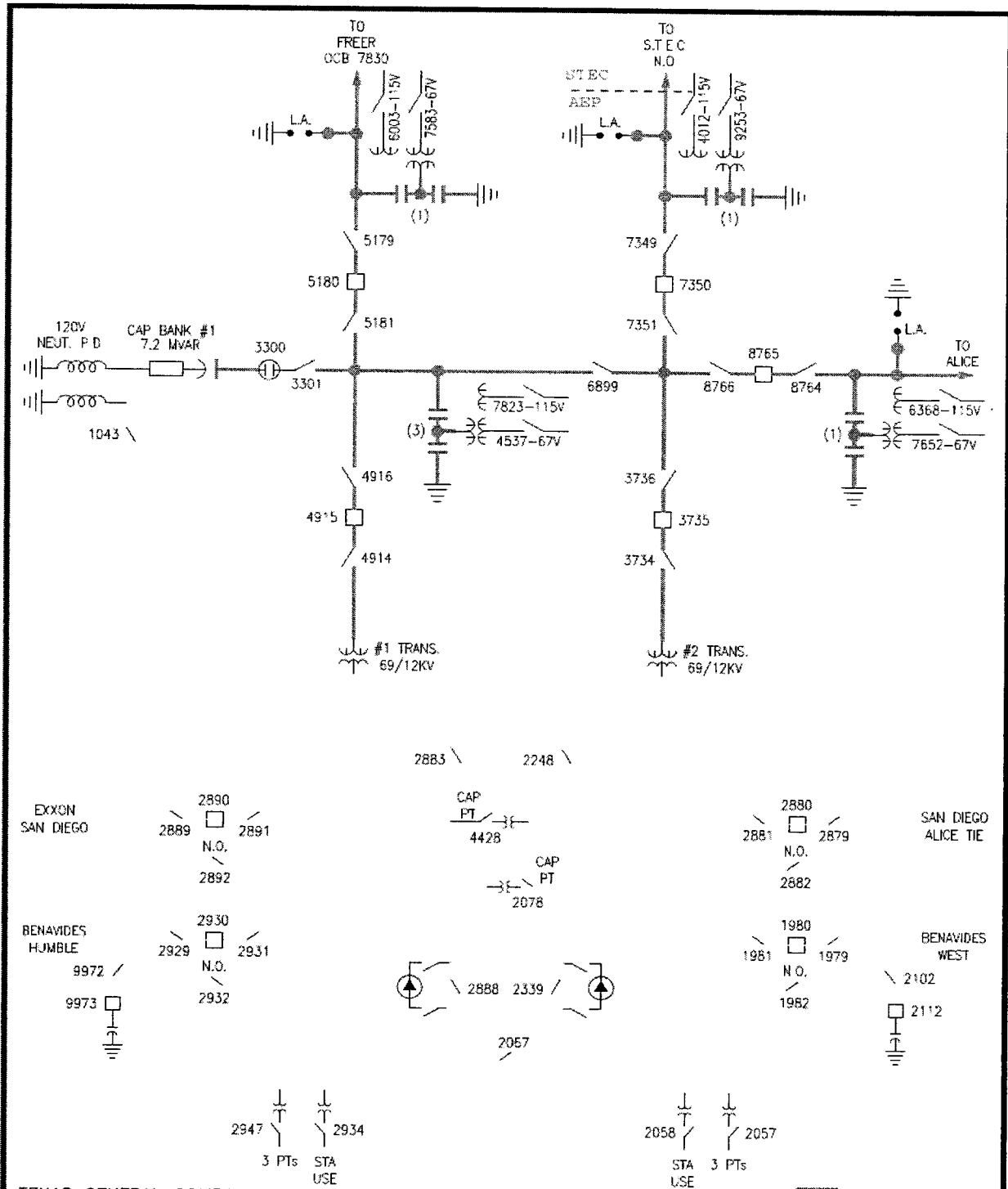


NO = NORMALLY OPEN
 ## 69kV AIR SWITCH
 ## 69kV GAS CIRCUIT BREAKER
 (M) MOTOR OPERATOR

SOUTH TEXAS ELECTRIC COOPERATIVE, INC.		DWG. NO PC-1A
P O BOX 119	NURSERY, TEXAS 77976	
PALACIOS 69kV ONELINE MATAGORDA COUNTY		FACILITY SCHEDULE 14
PALACIOS TIE		
DWN BY CA	CKD BY	APPD BY
SCALE NA	DATE Apr 10, 2007	

FACILITY SCHEDULE NO. 15

1. Name: **San Diego**
2. Facility Location: Company's San Diego Substation approx 0.6 miles on FM 1329 from the intersection with 359 in San Diego, Duval County
3. Delivery Voltage: 69 kV
4. Metered Voltage: None
5. Loss Adjustment Due To Meter Location: None
6. Normal Operation of Interconnection: Open
7. One-Line Diagram Attached: Yes
8. Description of Facilities Installed and Owned by Each Party:
Company owns all the equipment in the Company's San Diego substation.
Cooperative owns the 69kV transmission line connecting the Cooperative San Diego substation to the Company's San Diego substation and all equipment in the Cooperative's San Diego substation.
9. Operational Responsibilities of Each Party:
Operations is performed by the equipment owner.
10. Maintenance Responsibilities of Each Party:
Maintenance is the responsibility of the equipment owner.
11. Other Terms and Conditions : None

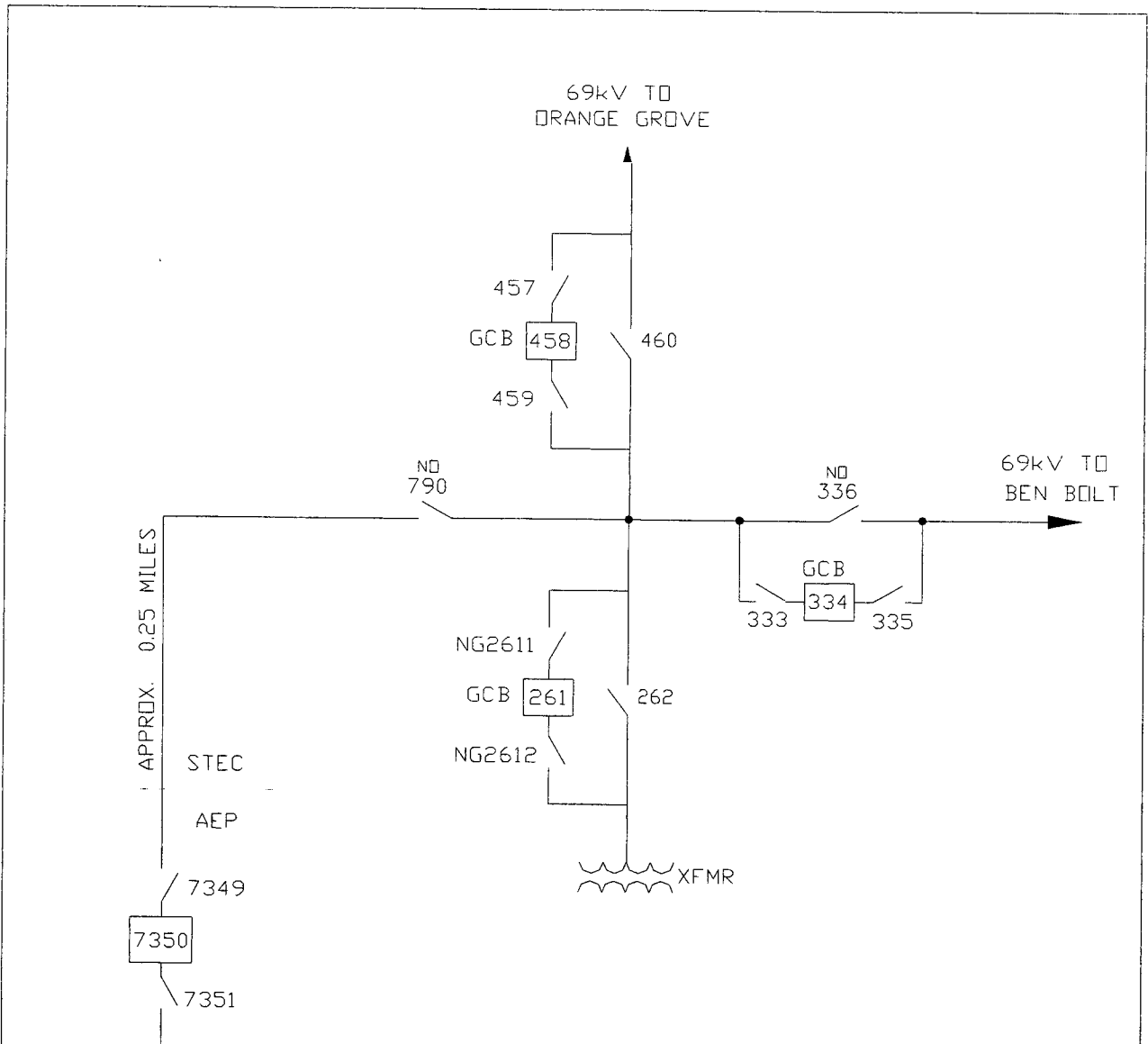


TEXAS CENTRAL COMPANY



SAN DIEGO SUB. NO. 7088 - WESTERN DIV.

DRFT RLC	ENG.	APP.	DATE: 6/24/08	DWG. NO. 70885001	REV 5
----------	------	------	---------------	-------------------	-------



AEP SAN DIEGO SUBSTATION

SOUTH TEXAS ELECTRIC COOPERATIVE, INC.				DWC NO. SD-1A	
NURSERY, TEXAS 77976				FACILITY SCHEDULE 15	
SAN DIEGO 69/24.94kV SUBSTATION					
DUVALL COUNTY					
SAN DIEGO TIE					
DWN BY	CA	CKD BY	APPD BY	SCALE	DATE 1/10

FACILITY SCHEDULE NO. 16

1. Name: **CORUS**
2. Facility Location: Cooperative's City of Robstown (CORUS) Station on Power Plant Road, Robstown, Nueces County
3. Delivery Voltage: 69 kV
4. Metered Voltage: 69 kV
5. Loss Adjustment Due To Meter Location: NONE
6. Normal Operation of Interconnection: Closed
7. One-Line Diagram Attached: Yes
8. Description of Facilities to be Installed and Owned by Each Party:

Cooperative owns the 69kV rated equipment and associated materials, including the 69kV bus, at the CORUS substation that terminates and protects the Company's Lon Hill 69kV line and the Cooperative's Riverside 69kV line.

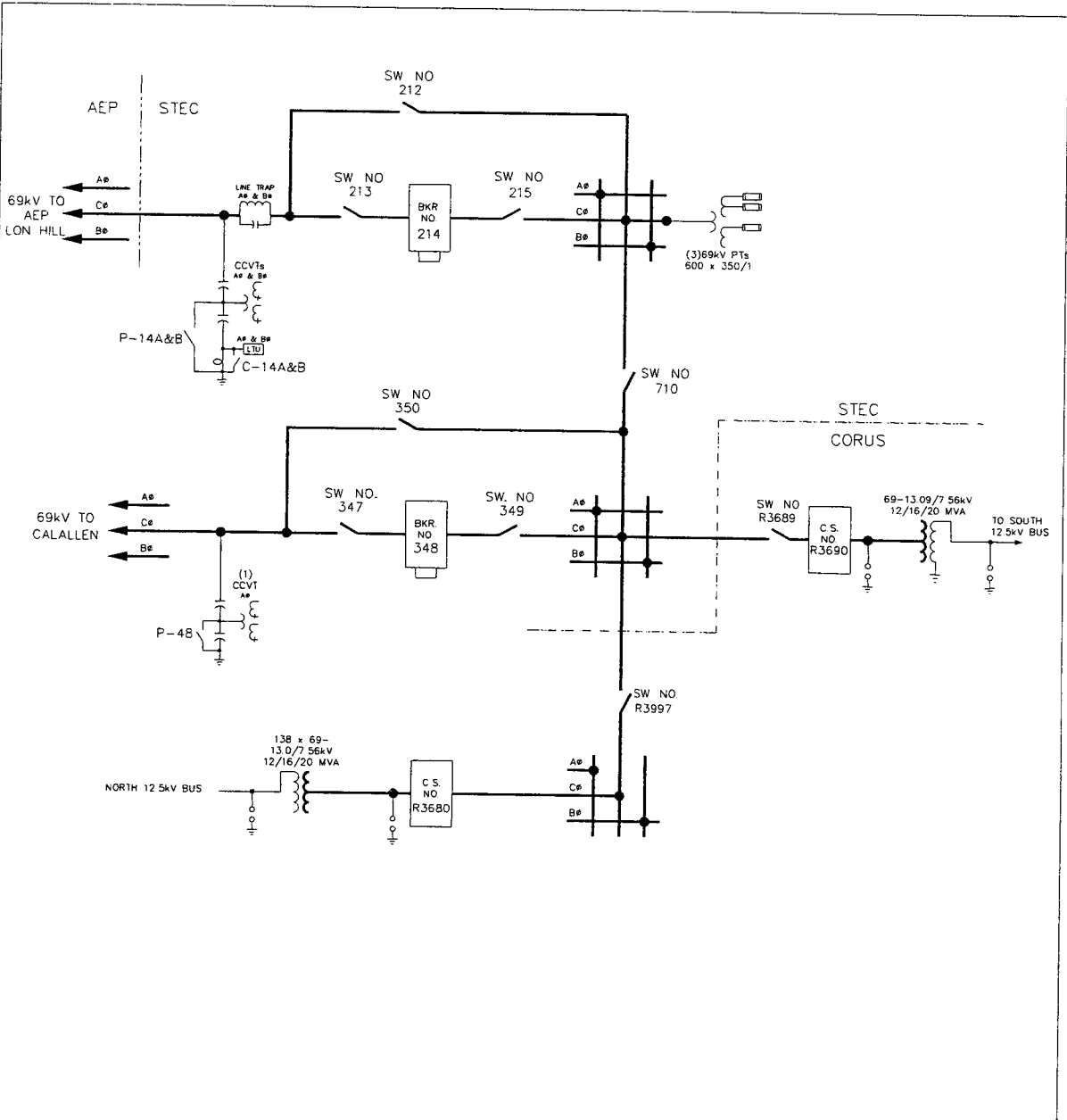
Company owns the 69 kV transmission line from the CORUS 69 kV substation dead end structure to the Company's Lon C. Hill Station.
9. Operational Responsibilities of Each Party:

Cooperative will control and operate all 69 kV facilities and associated equipment at the CORUS substation. All operations of the interconnect will be coordinated with Company using good utility practices.

Company will control and operate the transmission facilities associated with the above described interconnection up to but NOT including the Cooperative facilities and equipment at the CORUS substation. All operations of the interconnect will be coordinated with Cooperative using good utility practices. Further, Company may operate air switches # 212 and # 213 as per Cooperative dispatch instruction.
10. Maintenance Responsibilities of Each Party:

Maintenance is the responsibility of the equipment owner.
11. Other Terms and Conditions:

Company has access to the station with a lock in the security fence gate if such access is acceptable to the City of Robstown Utility Service.



SOUTH TEXAS ELECTRIC COOPERATIVE, INC. NURSERY, TEXAS 77976		DWG NO. COR-IA
		FACILITY SCHEDULE 16
CITY OF ROBSTOWN (CORUS) 69kV SUBSTATION NUECES COUNTY		
CORUS TIE		
DWN BY CA	CKD BY	APPD BY
	SCALE NA	DATE 1/04

FACILITY SCHEDULE NO. 17

(TERMINATED)

1. Name: **Pioneer**

2. Facility Location:

At the existing Texas Industries (TXI) Substation located approximately 6.2 miles north of Garwood, approximately 2 miles west of the intersection of State Highway 71 and County Road 111 across from the TXI Plant.

FACILITY SCHEDULE NO. 18

(TERMINATED)

1. Name: **Pawnee**

2. Facility Location:

Near the Intersection of FM 882 and SH 72 near Pawnee, Texas along the existing right of way of the CPS Spruce to CPL Lon Hill 345 kV transmission line. The exact location will be mutually agreed upon through a joint line route selection study.

FACILITY SCHEDULE NO. 19

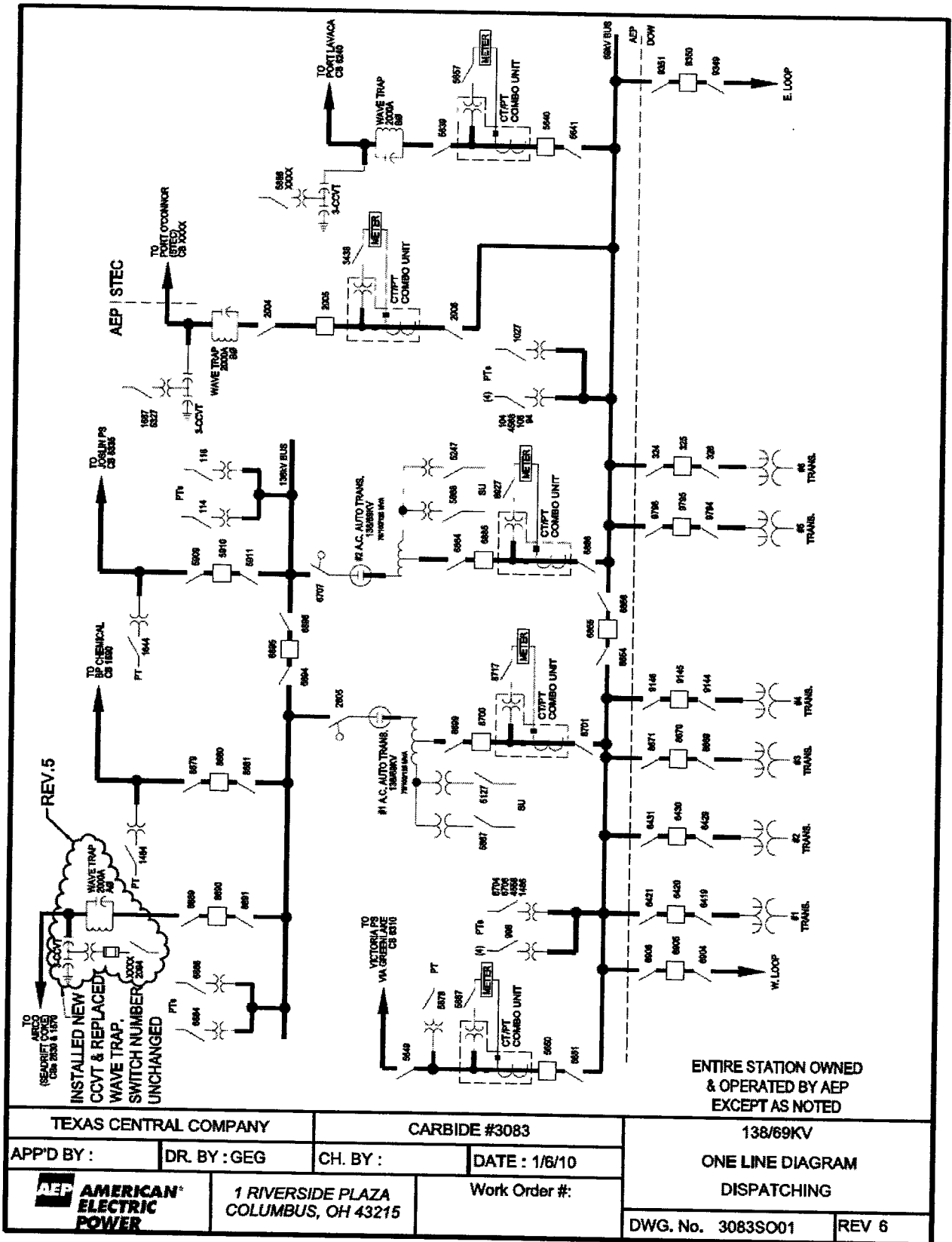
1. Name: **Carbide**
2. Facility Location: Company's Union Carbide Substation at Dow/Union Carbide Plant near Seadrift, Calhoun County
3. Delivery Voltage: 69 kV
4. Metered Voltage: 69kV
5. Loss Adjustment Due To Meter Location: None
6. Normal Operation of Interconnection: Closed
7. One-Line Diagram Attached: Yes
8. Description of Facilities to be Installed and Owned by Each Party:

At its cost, Cooperative shall design, construct and own a new 69 kV transmission line from its existing Seadrift Substation to Company's existing Carbide 69 kV Substation.

At its cost, Company shall design, construct and own all facilities at its Carbide 69 kV Substation for this interconnection including protective equipment, interconnection metering equipment, dual ported RTU, and RTU communication circuit to Company's dispatch control center. Company shall provide a substation dead end structure for termination of the 69 kV line from Cooperative's Seadrift Substation.
9. Operational Responsibilities of Each Party:

Operations shall be the responsibility of the equipment owner.
10. Maintenance Responsibilities of Each Party:

Maintenance is the responsibility of the equipment owner.
11. Other Terms and Conditions Attached: None



ENTIRE STATION OWNED & OPERATED BY AEP EXCEPT AS NOTED

TEXAS CENTRAL COMPANY		CARBIDE #3083		138/69KV	
APP'D BY :	DR. BY : GEG	CH. BY :	DATE : 1/6/10	ONE LINE DIAGRAM	
		1 RIVERSIDE PLAZA COLUMBUS, OH 43215		DISPATCHING	
				DWG. No. 3083SO01 REV 6	

FACILITY SCHEDULE NO. 20

1. Name: **Warburton**
2. Facility Location: Cooperative's Warburton 138/69kV Station at 400 Warburton Road, McFadden. Victoria County
3. Delivery Voltage: 138 kV
4. Metered Voltage: 138 kV
5. Loss Adjustment Due To Meter Location: None
6. Normal Operation of Interconnection : Closed
7. One-Line Diagram Attached : Yes
8. Description of Facilities to be Installed and Owned by Each Party:

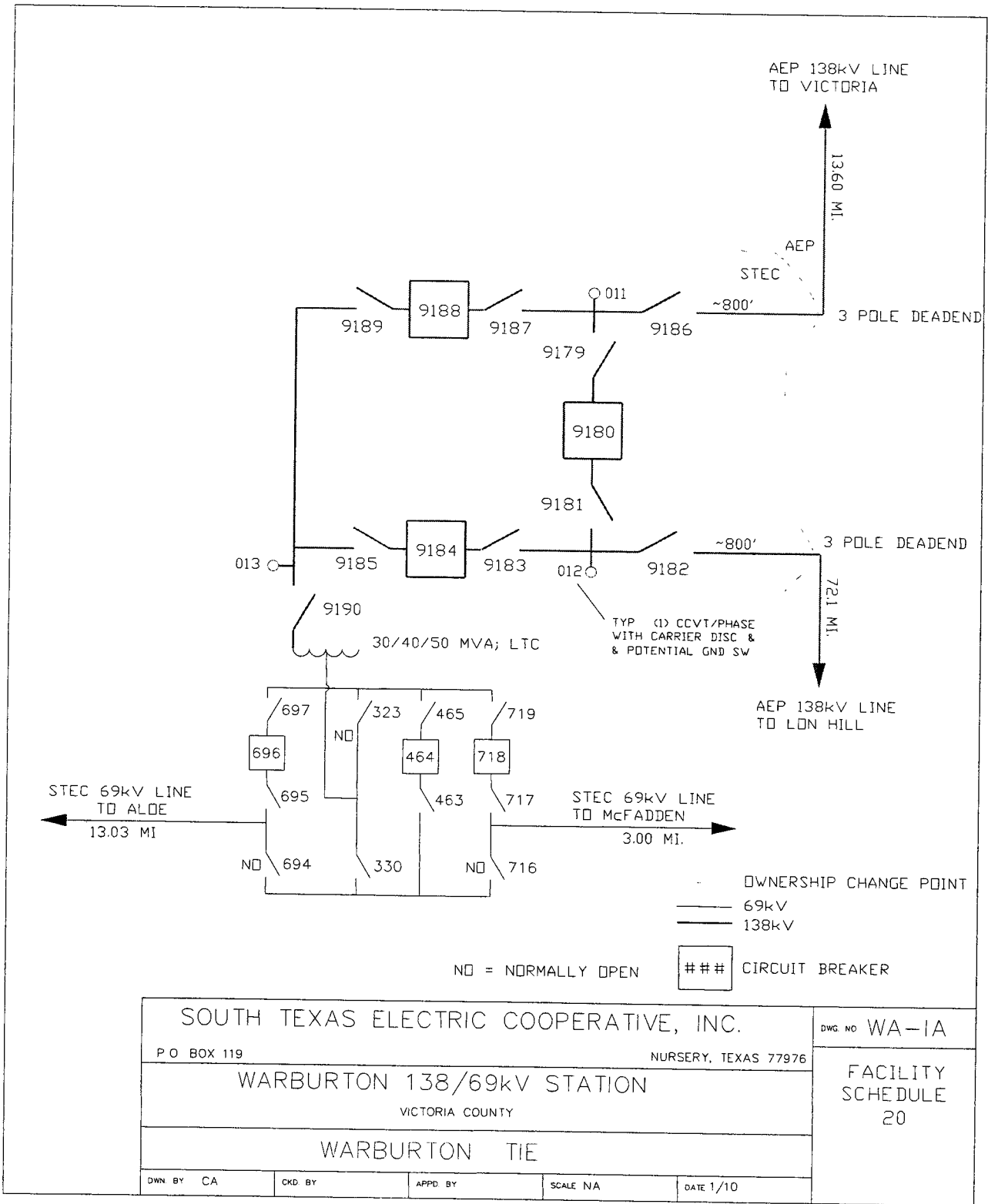
Cooperative owns all equipment in the Warburton station including a three breaker 138kV ring bus and associated equipment. Cooperative installed and owns the approximately 800 foot 138 kV lines between its station and the existing Company owned Victoria - Lon-Hill 138 kV line with the exception of the two three-pole deadends in that existing Company line. Cooperative provides an RTU port to Company for transmission of data points as agreed upon by both parties.

Company owns the Victoria to Lon Hill 138kV line and the two (2), three pole wood deadend structures and associated guying facilities required to connect this line to the Cooperative station.
9. Operational Responsibilities of Each Party:

Cooperative controls and operates all equipment and facilities within its Warburton station and the 138 kV lines between the station and Company's Victoria – Lon Hill 138 kV line. Company shall have access to the station and may operate 138 kV air switches 9182 and 9186 according to Cooperative dispatch instructions.
10. Maintenance Responsibilities of Each Party:

Maintenance is the responsibility of the equipment owner.
11. Other Terms and Conditions Attached:

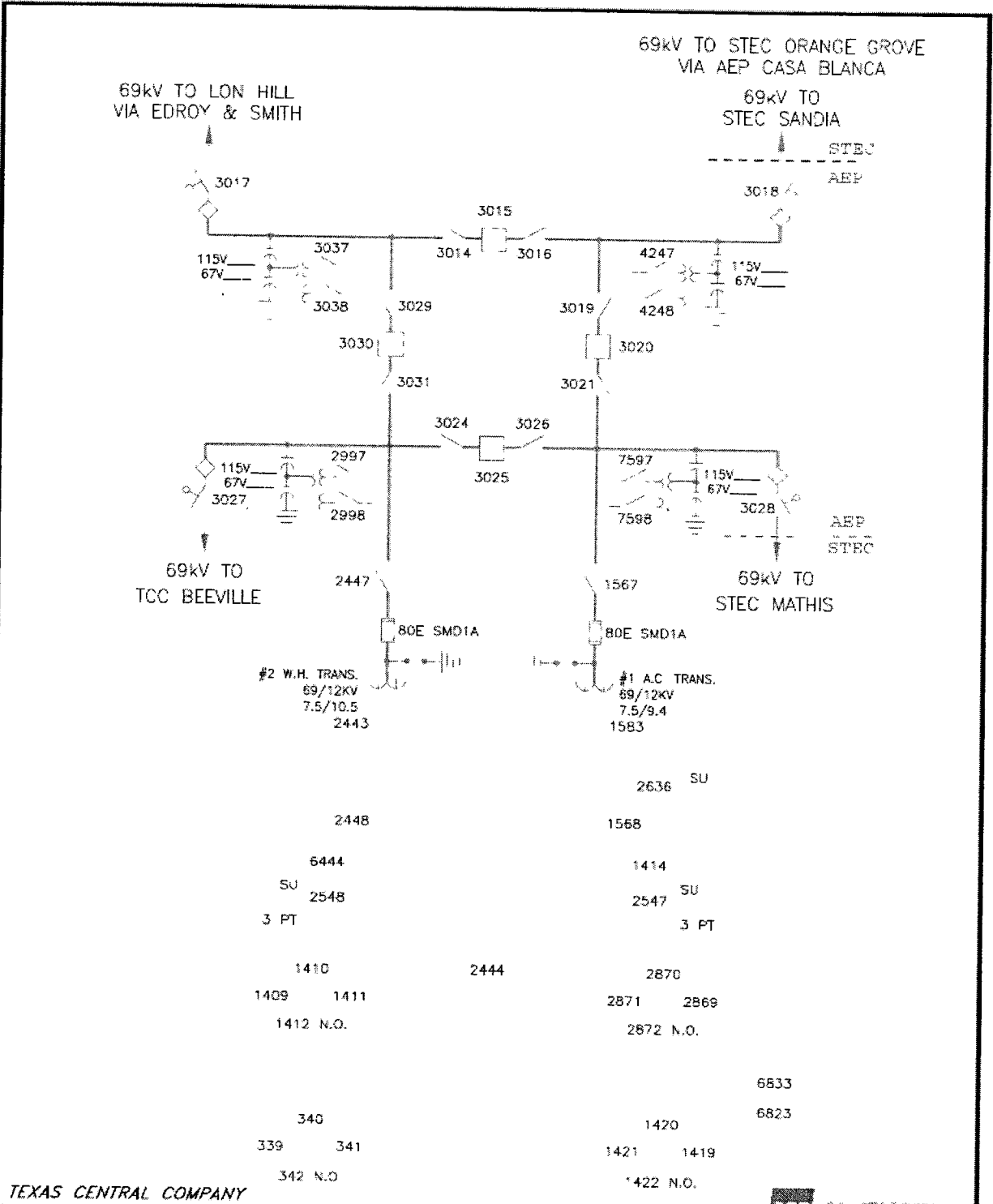
If Cooperative is reasonably able to obtain the easement with the right to assign the 138 kV line from the substation to the three pole deadend structures installed in Company's Victoria-Lon Hill 138 kV line and Cooperative determines that the landowner relationship will not be damaged by Cooperative passing the ownership of such line to Company, it shall pass ownership of the easement and the transmission line facilities upon it to Company at the end of five (5) years from the date of this Facility Schedule. Until these conditions are met, Cooperative shall retain ownership of this line.



SOUTH TEXAS ELECTRIC COOPERATIVE, INC.				DWG NO WA-1A	
P O BOX 119		NURSERY, TEXAS 77976			
WARBURTON 138/69kV STATION				FACILITY SCHEDULE	
VICTORIA COUNTY				20	
WARBURTON TIE					
DWN BY CA	CKD BY	APPD BY	SCALE NA	DATE 1/10	

FACILITY SCHEDULE NO. 21

1. Name: **Mathis**
2. Facility Location: Company's Mathis Substation in San Patricio County, Texas
3. Delivery Voltage: 69 kV
4. Metering Voltage: 69 kV
5. Loss Adjustment Due To Meter Location: None
6. Normal Operation of Interconnection: Closed
7. One-Line Diagram Attached: Yes
8. Description of Facilities to be Installed and Owned by Each Party:
Company owns all equipment at the Company Mathis substation.
Cooperative owns all equipment at the Cooperative's Mathis substation and the double circuit 69kV line that hairpins the Cooperative's Mathis to Sandia 69kV line including the hardware required to deadend the conductors to the Company substation steel structure.
9. Operational Responsibilities of Each Party:
Company will operate those facilities it owns.
Cooperative will operate those facilities it owns and, in order to expedite return of service following a contingency outage or to perform scheduled maintenance of a Cooperative line terminating at this substation, Cooperative shall have the right to open the 69kV air switches 3018 and 3028 under Company dispatch instructions.
10. Maintenance Responsibilities of Each Party:
Maintenance is the responsibility of the equipment owner.
11. Other Terms and Conditions:
Cooperative has access to the Company's Mathis substation with a lock in the station gate.



FILE: J0505001.DWG

TEXAS CENTRAL COMPANY

MATHIS SUB. #3093



DRFT. MS	ENG. SA	APP. TGV	DATE: 7/14/04	DWG. NO 3093S001	REV 2
----------	---------	----------	---------------	------------------	-------

FACILITY SCHEDULE NO. 22

1. Name: **Batesville**
2. Facility Location: Cooperative Batesville Substation at 18802 FM 1025, Batesville, Zavala County
3. Delivery Voltage: 138 kV
4. Metered Voltage: No revenue meter. See Other Terms and Conditions.
5. Loss Adjustment Due To Meter Location: Yes
6. Normal Operation of Interconnection: Closed
7. One-Line Diagram Attached: Yes
8. Description of Facilities Installed and Owned by Each Party:

Company installed and owns the 138 kV line between this Point of Interconnection and Company's West Batesville Switching Station. Cooperative installed, but Company owns the terminal circuit breaker OCB 4908, switch 4907, switch 4909 and associated relaying that tie to Company's 138 kV line in Cooperative's Batesville Substation.

Cooperative installed and owns the remaining equipment located at the Cooperative Batesville Substation.
9. Operational Responsibilities of Each Party:

Cooperative operates OCB 4908 and all other equipment in Cooperative's Batesville station.

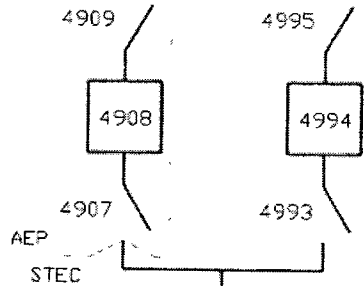
Company operates the equipment it owns with the exception of OCB 4908 and associated equipment.
10. Maintenance Responsibilities of Each Party:

Company maintains the 138 kV line from the Company's West Batesville Switching Station to the Cooperative's Batesville Substation. Company is responsible for the maintenance of OCB 4908, switch 4907, switch 4909 and associated relaying.

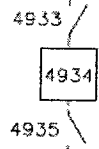
Cooperative maintains all remaining equipment at the Cooperative's Batesville Substation.
11. Other Terms and Conditions:

AEP 138kV LINE
TO WEST BATESVILLE

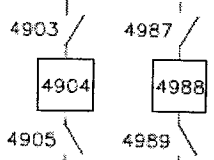
STEC 138kV LINE
TO PEARSALL



138/69kV AUTO
30/40/50 MVA; LTC



NO = NORMALLY OPEN
—— 138kV

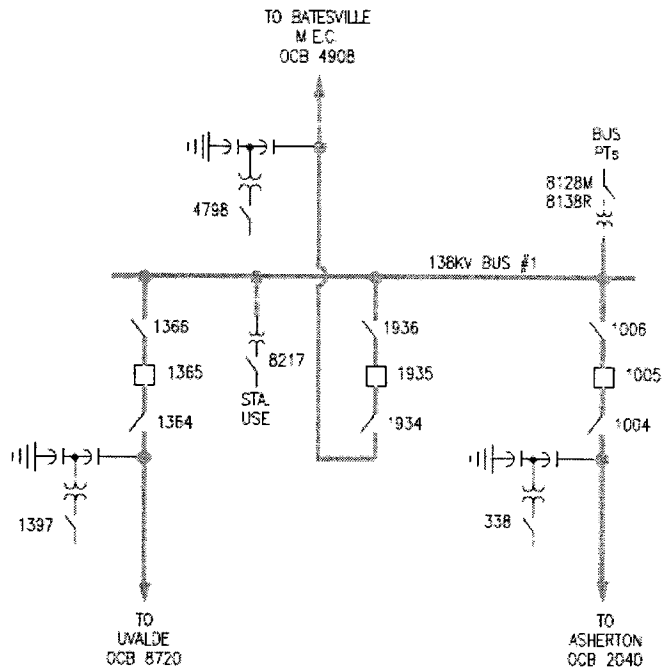


STEC 69kV LINE
TO SOUTH BATESVILLE

STEC 69kV LINE
TO CRYSTAL CITY SWITCH

SOUTH TEXAS ELECTRIC COOPERATIVE, INC.				DWG. NO. BA--A	
P.O. BOX 119		NURSERY, TEXAS 77976			
BATESVILLE 138/69kV STATION					
ZAVALA COUNTY					
BATESVILLE TIE					
DWN BY CA	CKD BY	APPD BY	SCALE N/A	DATE 4/2008	

GPS LOCATION:
 N28* 58.3 / W99* 43 2



TEXAS CENTRAL COMPANY

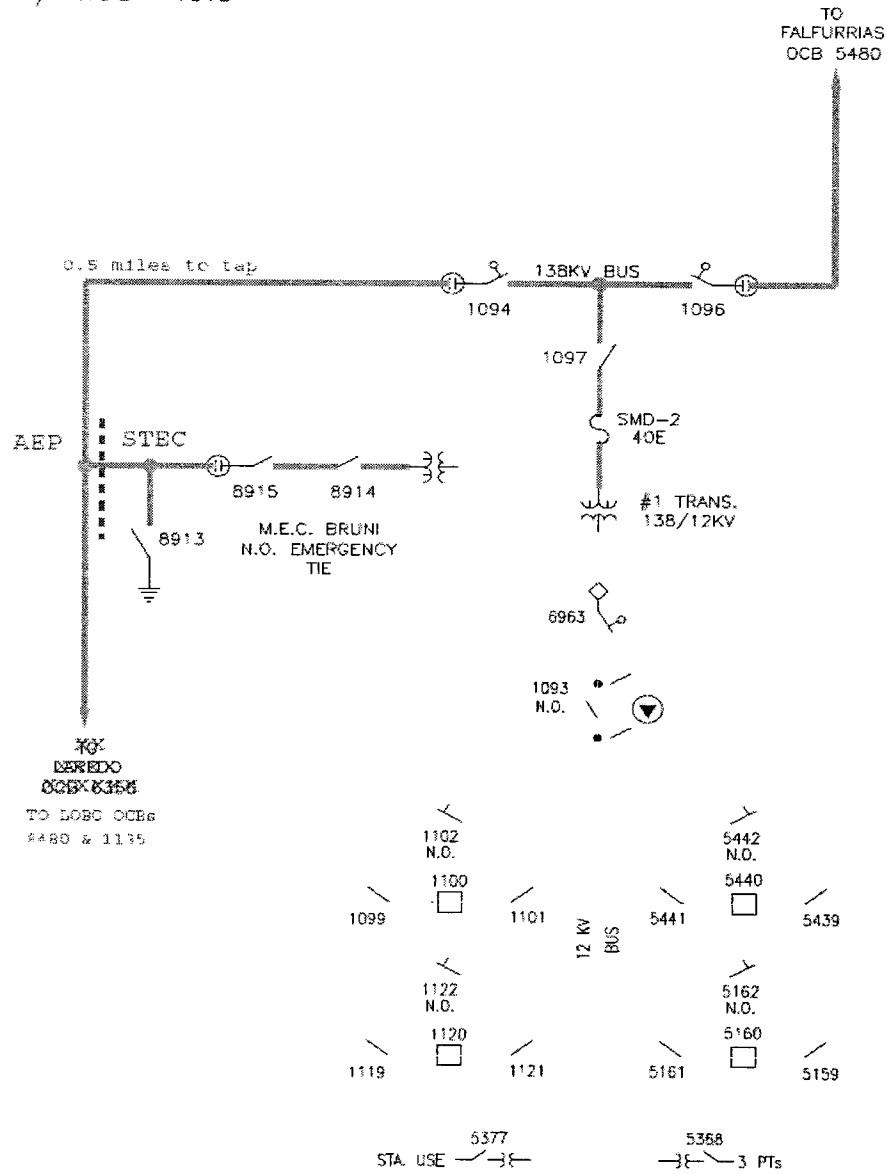


WEST BATESVILLE SW. STA. SUB #7095 - WEST DIV.

DRFT. CAS	ENG.	APP.	DATE 6/20/03	DWG. NO. 70955001	REV 1
-----------	------	------	--------------	-------------------	-------

1. Name: **Bruni**
2. Facility Location: Cooperative Bruni Station at 1300 FM 2050, Bruni, Webb County
3. Delivery Voltage: 138 kV
4. Metered Voltage: No Revenue Meter. See Other Terms and Conditions.
5. Loss Adjustment Due To Meter Location: No
6. Normal Operation of Interconnection: Open
7. One-Line Diagram Attached: Yes
8. Description of Facilities Installed and Owned by Each Party:
Cooperative installed and owns the tap line connecting its Bruni Station to the Company's Bruni – Lobo 138 kV line about 0.5 miles south of Company's Bruni Substation. Cooperative installed and owns the equipment in the Cooperative's Bruni Station.
9. Operational Responsibilities of Each Party:
Cooperative is responsible for the operation of the normally open Switch 8915, normally open Switch 8914 and normally open Grounding Switch 8913.
10. Maintenance Responsibilities of Each Party:
Company is responsible for line maintenance up to the 1st structure after Company's Bruni – Lobo 138 kV line tap.
Cooperative is responsible for the maintenance of the 138 kV tap line beginning with the first structure to the Cooperative's Bruni Substation from the tap point. Cooperative is responsible for all substation equipment in the Cooperative's Bruni Substation.
11. Other Terms and Conditions:
Cooperative may operate this Bruni Emergency Tie normally closed.

GPS LOCATION:
 N27* 26.11 / W98* 49.8



TEXAS CENTRAL COMPANY



BRUNI SUB #7041 - WEST DIV.

DRFT. MS	ENG.	APP.	DATE: 3/17/05	DWG. NO. 7041S001	REV 2
----------	------	------	---------------	-------------------	-------

FACILITY SCHEDULE NO. 24
Terminated

1. Name: **Devine**
2. Facility Location: Cooperative's Devine Substation at 1026 Hwy 132S,
Devine, Medina County

FACILITY SCHEDULE NO. 25

1. Name: **Dilley**
2. Facility Location: Company's Dilley Switching Station at 1755 CR 4675, Dilley, Frio County
3. Delivery Voltage: 138 kV and 69kV
4. Metered Voltage: 138 kV and 69kV
5. Loss Adjustment Due To Meter Location: None
6. Normal Operation of Interconnection: Closed
7. One-Line Diagram Attached: Yes
8. Description of Facilities Installed and Owned by Each Party:

Cooperative installed and owns 138kV air switch 6112; circuit switcher 6111; 138/69kV autotransformer; and the 69kV equipment connected to its autotransformer including circuit breakers and air switches 6117, 6118, 6119, 6147, 6148, 6149, 6153, 6154, 6155, including buswork, arrestors, and instrument transformers, and the buswork up to Company's switch 1684. Cooperative owns switch 6273, breaker 6274, power transformer and associated primary and secondary side equipment. Cooperative shall install and own a 138kV transmission line connecting Company's 138kV at this station to Cooperative's Palo Duro Station.

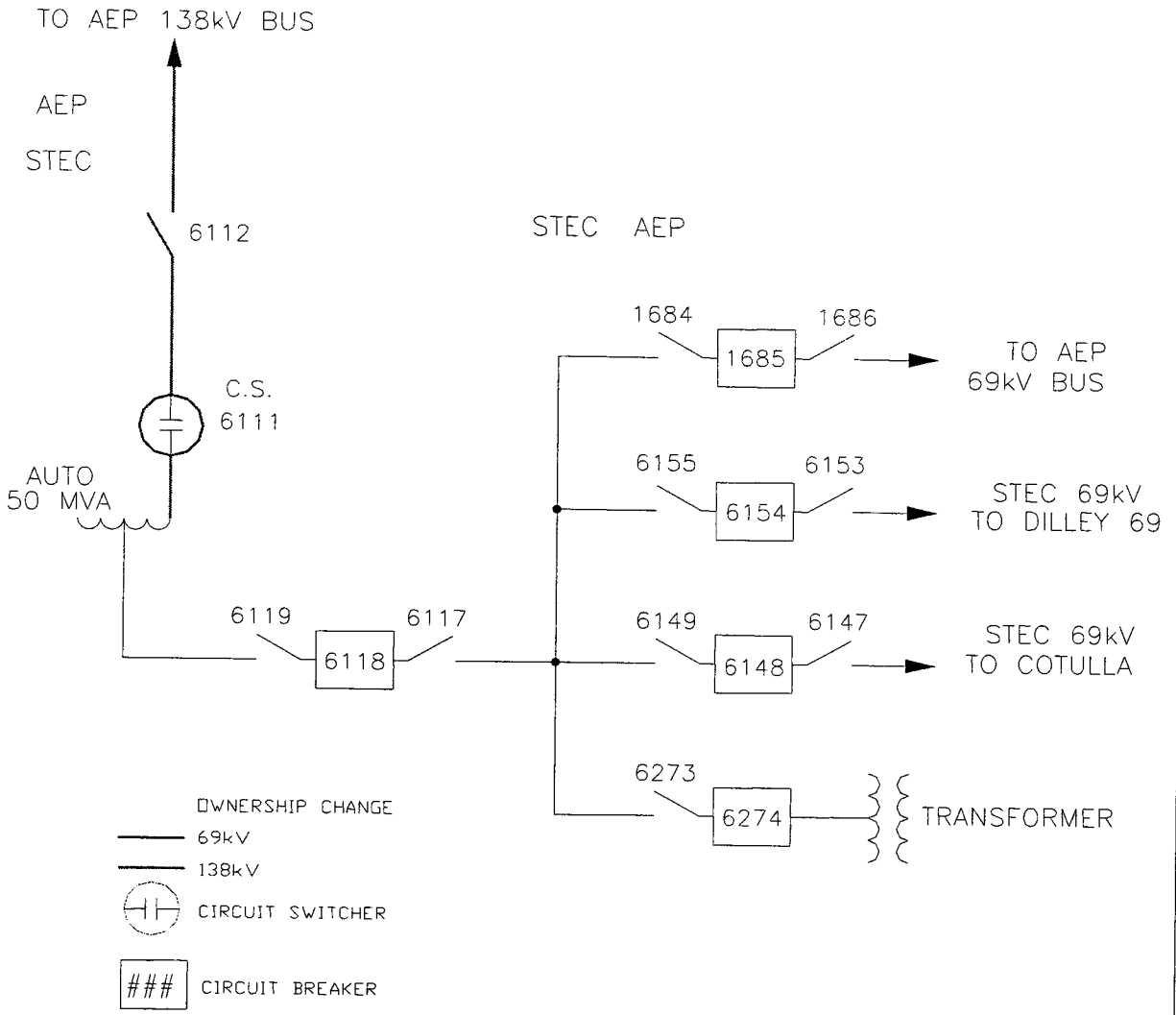
Company installed and owns all equipment beginning at but not including switch 6112 and back to the Company Switching Station including 138kV equipment, autotransformer, 69kV bus and line terminals, and a static var compensator facility. Company shall install and own all equipment necessary for the termination of Cooperative's 138kV line to Palo Duro.

Control house is owned by Company and allows Cooperative space for its equipment. Both parties own property at this site.
9. Operational Responsibilities of Each Party:

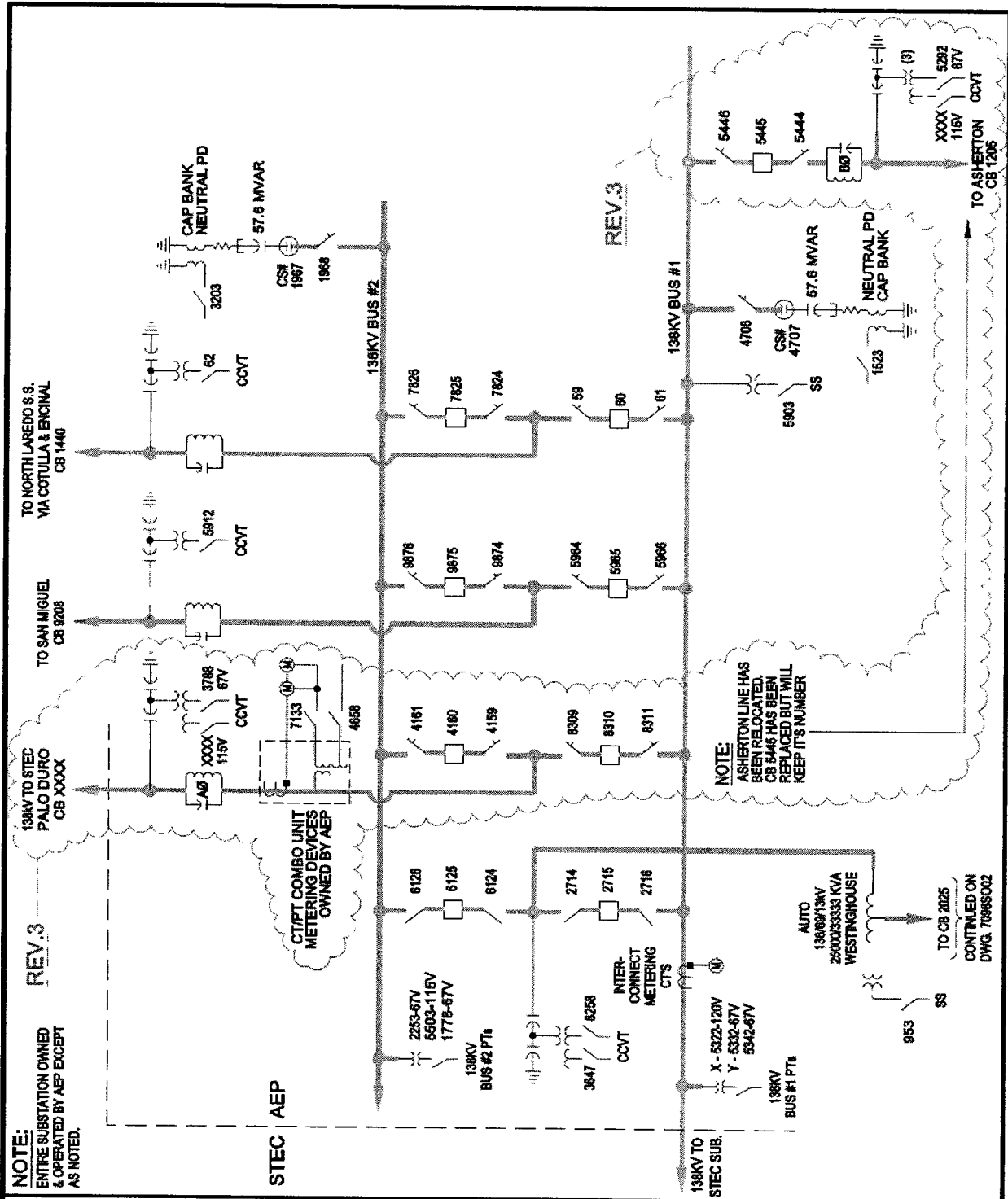
Operations is the responsibility of the equipment owner.
10. Maintenance Responsibilities of Each Party:

Maintenance is the responsibility of the equipment owner.
11. Other Terms and Conditions:

Cooperative and Company each have locks on the common gates. Both parties have access to Company's control house.



SOUTH TEXAS ELECTRIC COOPERATIVE, INC.				DWG. NO. DI-1A
P.O. BOX 119		NURSERY, TEXAS 77976		
DILLEY 138kV STATION				FACILITY SCHEDULE 25
DILLEY TIE				
DWN BY JT	CKD BY	APPD BY	SCALE NA	DATE 6/08



NOTE:
ENTIRE SUBSTATION OWNED
& OPERATED BY AEP EXCEPT
AS NOTED.

REV.3

TO NORTH LAREDO S.S.
VIA COTULLA & ENGINAL
CB 1440

TO SAN MIGUEL
CB 9208

138KV TO STEC
PALO DURO
CB XXXX

STEC AEP

CT/PT COMBO UNIT
METERING DEVICES
OWNED BY AEP

NOTE:
ASHERTON LINE HAS
BEEN RELOCATED.
CB 5446 HAS BEEN
REPLACED BUT WILL
KEEP ITS NUMBER

TO STEC SUB.
138KV TO STEC SUB.

AUTO
138000/138KV
25000/33333 KVA
WESTINGHOUSE

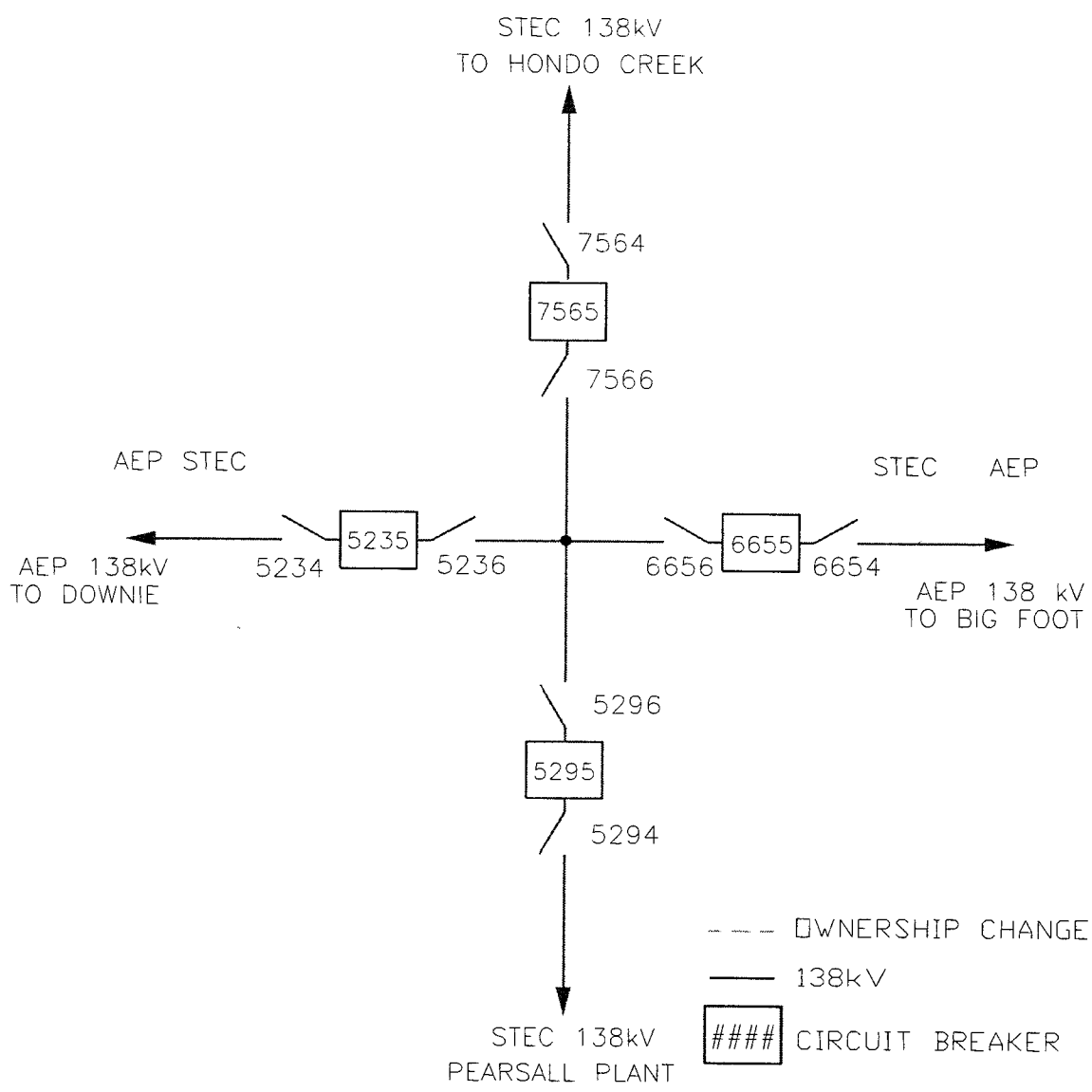
TO CB 2025
CONTROLLED ON
DWG. 7096SO02

TEXAS CENTRAL COMPANY		DILLEY SWITCHING STATION #7096		138KV	
APP'D BY : BG	DR. BY : KP	CH. BY : BG	DATE : 11/18/09	ONE LINE DIAGRAM	
AMERICAN ELECTRIC POWER		1 RIVERSIDE PLAZA COLUMBUS, OH 43215		DISPATCHING	
		Work Order #: 41412252C1		DWG. No. 7096SO01	
				REV 3	

FACILITY SCHEDULE NO. 26

1. Name: **Moore**
2. Facility Location: Cooperative Moore 138 Station at 1020 W FM 462, Moore, Frio County
3. Delivery Voltage: 138 kV
4. Metered Voltage: 138 kV - Hondo Creek (Meter at Moore Substation)
138 kV -- Pearsall (Meter at Pearsall Substation)
5. Loss Adjustment Due To Meter Location: No
6. Normal Operation of Interconnection: Closed
7. One-Line Diagram Attached: Yes
8. Description of Facilities Installed and Owned by Each Party:
Cooperative constructed and owns the switching station and the equipment therein.
9. Operational Responsibilities of Each Party:
Company operates all the oil circuit breakers via SCADA at this station. Included are:
OCB 7565 - normally closed tie to Hondo Creek
OCB 5295 - normally closed tie to Pearsall
OCB 5235 - normally closed tie to Uvalde
OCB 6655 - normally closed tie to Big Foot
10. Maintenance Responsibilities of Each Party:
Company maintains its Uvalde to Big Foot 138 kV lines and structures. Company maintains all four OCBs. Company maintains and test relays associated with OCB 6655 and OCB 5235. Company bills Cooperative for the actual cost of maintenance on the OCBs.

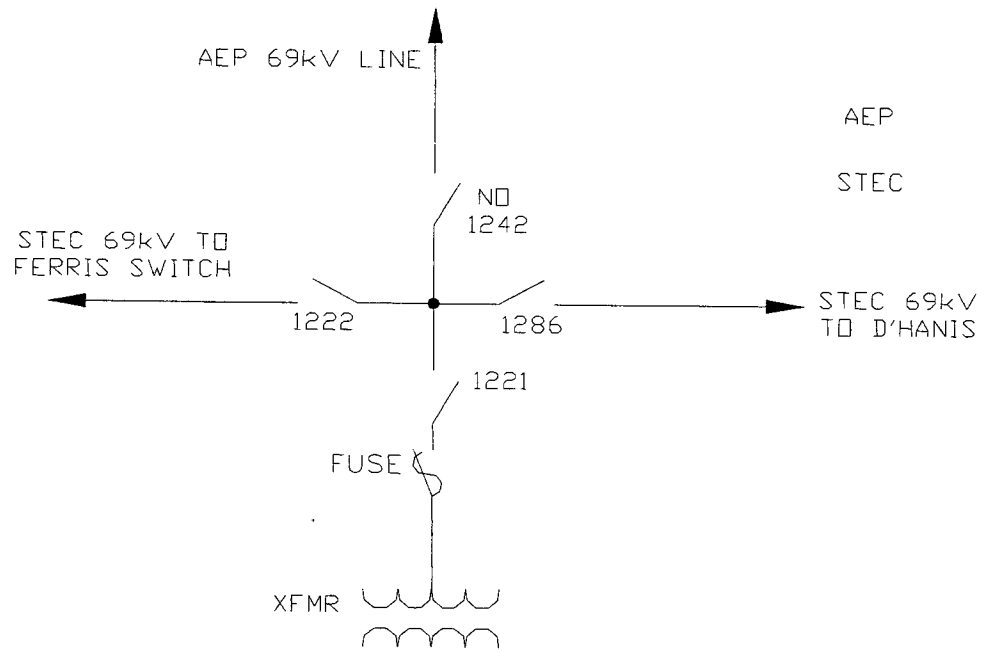
Cooperative maintains relays associated with breakers 7565 and 5295. Cooperative is responsible for all remaining equipment maintenance at this Point of Interconnection.
11. Other Terms and Conditions: None



SOUTH TEXAS ELECTRIC COOPERATIVE, INC.				DWG NO MR-1A	
P O BOX 119		NURSERY, TEXAS 77976			
MOORE 138kV SWITCHING STATION					FACILITY SCHEDULE 26
MEDINA COUNTY					
MOORE TIE					
DWN BY	JT	CKD BY	APPD BY	SCALE NA	DATE 6/08

FACILITY SCHEDULE NO. 27

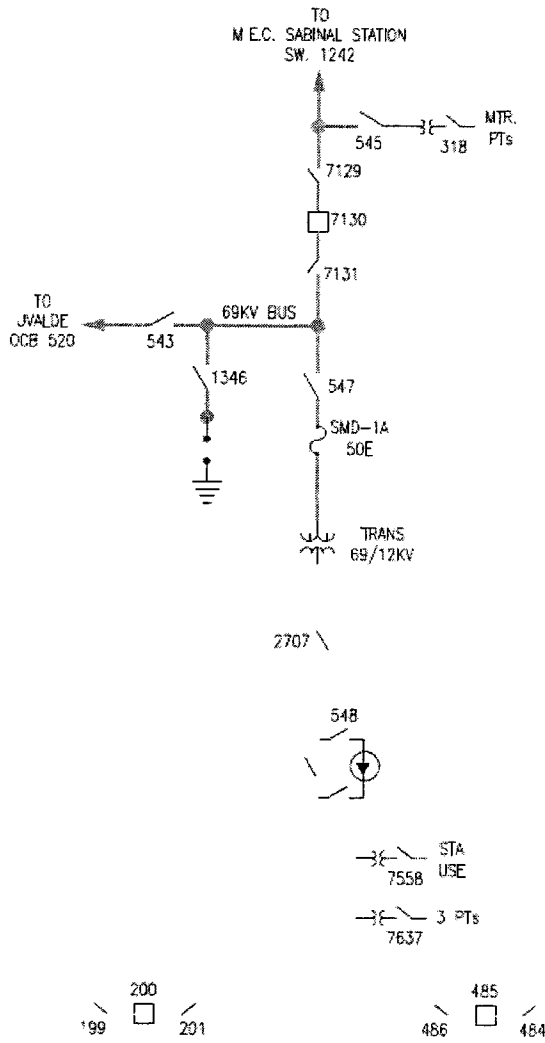
1. Name: **Sabinal**
2. Facility Location: Cooperative Sabinal Substation at 1528 FM 187, Sabinal, Uvalde County
3. Delivery Voltage: 69 kV
4. Metered Voltage: No Meter – See Other Terms and Conditions.
5. Loss Adjustment Due To Meter Location: No
6. Normal Operation of Interconnection: Open
7. One-Line Diagram Attached: Yes
8. Description of Facilities Installed and Owned by Each Party:
Company installed and owns a 69 kV line to the Cooperative's Sabinal Substation.
All equipment within Cooperative's Sabinal Substation was installed and is owned by Cooperative.
9. Operational Responsibilities of Each Party:
Both Parties may operate switch 1242 which has dual locks.
10. Maintenance Responsibilities of Each Party:
Maintenance is the responsibility of the equipment owner.
11. Other Terms and Conditions:
Company has access to Cooperative's Sabinal Substation with a lock in the entrance gate.



AEP
STEC

SOUTH TEXAS ELECTRIC COOPERATIVE, INC.				DWG. NO	SA-1A
P.O. BOX 119		NURSERY, TEXAS 77976			FACILITY SCHEDULE 27
STEC SABINAL SUBSTATION					
UVALDE COUNTY					
SABINAL EMERGENCY TIE					
DWN BY	JT	CKD BY	APPD BY	SCALE	NA
				DATE	6/08

GPS LOCATION:
 N29* 18.54 / W99* 27.50



TEXAS CENTRAL COMPANY



SABINAL SUB #7030 - WEST DIV.

DRFT. CAS	ENG.	APP.	DATE: 6/20/03	DWG NO. 7030S001	REV 1
-----------	------	------	---------------	------------------	-------

1. Name: **Turtle Creek**
2. Facility Location: Company's Turtle Creek Switching Station 798 FM 3292, Crystal City, Zavala County (intersection of Company's existing Uvalde-Asherton 69 kV transmission line and Cooperative's existing Crystal City Switch-West Crystal City 69 kV transmission line) 0.8 miles east of Hwy 83
3. Delivery Voltage: 69 kV
4. Metered Voltage: 69 kV
5. Loss Adjustment Due To Meter Location: None
6. Normal Operation of Interconnection: Closed
7. One-Line Diagram Attached: Yes
8. Description of Facilities Installed and Owned by Each Party:

Company will install and own the Turtle Creek 69 kV Switching Station consisting of four circuit breakers in a ring bus configuration with two adjacent terminals each for Company and Cooperative transmission lines.

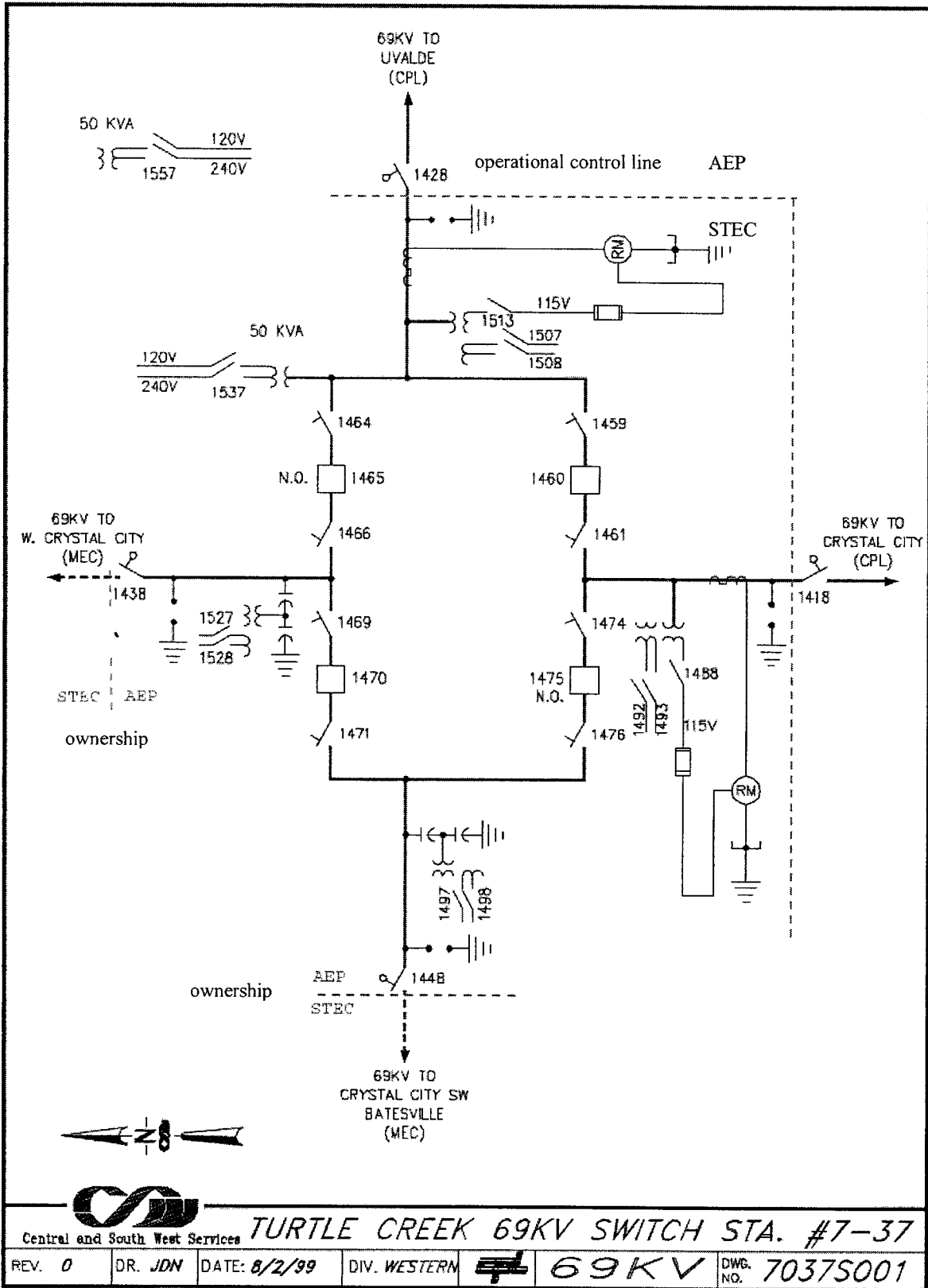
Cooperative's ownership of transmission facilities into the station ends at the point of attachment at Company's 69kV Motor-Operated Switches.

Cooperative and Company each own their respective RTUs and communication equipment in the station.
9. Operational Responsibilities of Each Party:

Cooperative operates all four transmission line circuit breakers and motor operated air switches within the Turtle Creek Switching Station.

Company operates all other facilities, including dual control of motor operated switches 1418 and 1428, within the Turtle Creek Switching Station.
10. Maintenance Responsibilities of Each Party:

Company will maintain all facilities within the Turtle Creek Switching Station, except Cooperative's RTU and communications equipment.
11. Other Terms and Conditions: None



FACILITY SCHEDULE NO. 29

1. Name: **Downie**
2. Facility Location: Cooperative Downie Switching Station 5061 FM 1023, Uvalde, Uvalde County (intersection of Company's existing Uvalde-Moore 138 kV transmission line and Cooperative's existing Ferris Switch-Uvalde 69 kV)
3. Delivery Voltage: 138 kV
4. Metered Voltage: 138 kV
5. Loss Adjustment Due To Meter Location: None
6. Normal Operation of Interconnection: Closed
7. One-Line Diagram Attached: Yes
8. Description of Facilities Installed and Owned by Each Party:

Cooperative will procure, install and own all facilities and equipment inside the switching station except for Company's RTU and communications equipment and the terminated 69kV lines.

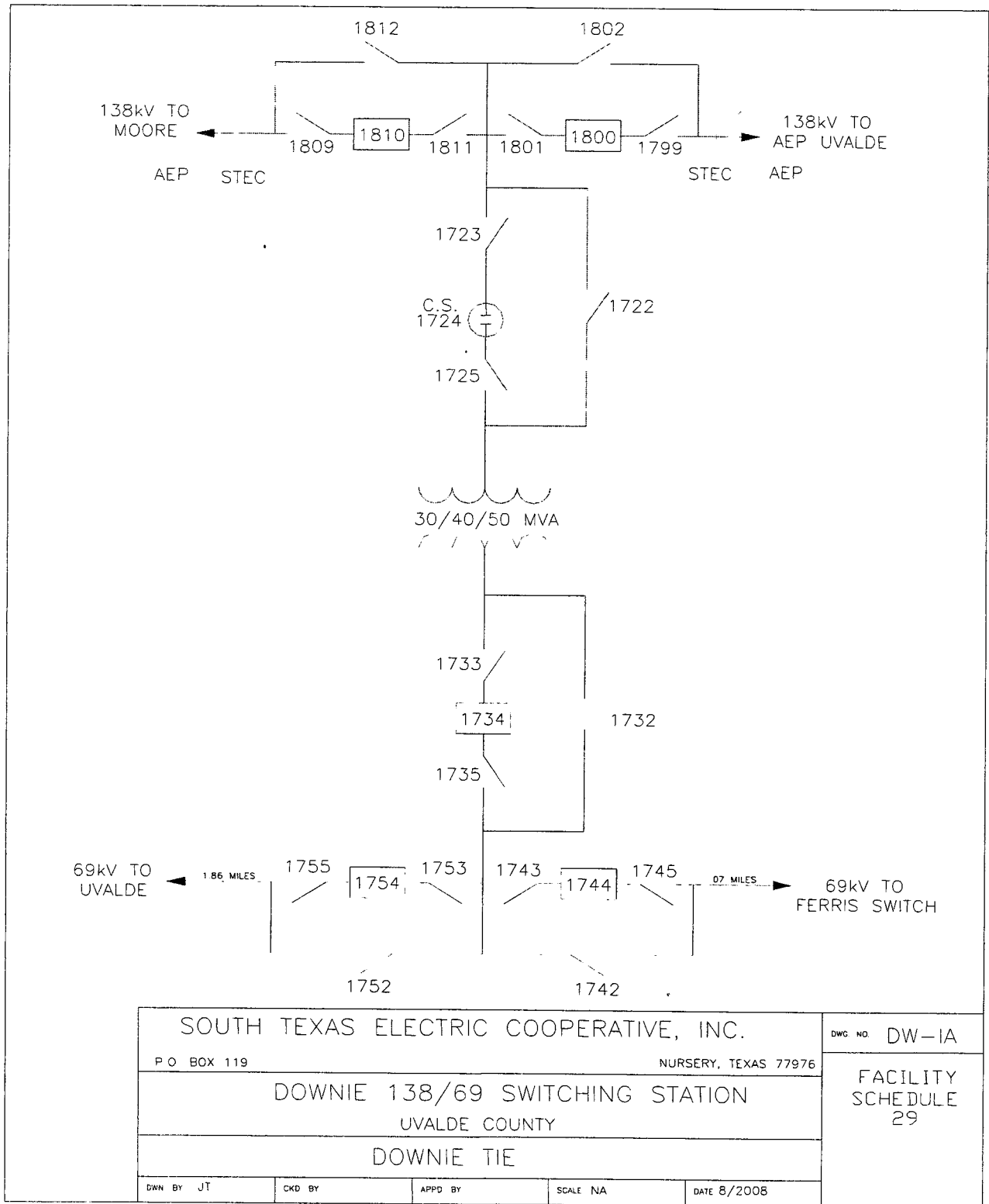
Company will procure, install and own separate RTU and communications equipment inside the switching station for Company SCADA monitoring and control of its transmission system. Company owns the terminated 138kV lines.
9. Operational Responsibilities of Each Party:

Company shall operate its RTU and associated communications equipment and circuit breakers 1800 and 1810.

Cooperative will operate all other facilities within the switching station.
10. Maintenance Responsibilities of Each Party:

Cooperative will maintain all facilities within the switching station except for Company's RTU and communications equipment.
11. Other Terms and Conditions:

Company has access to the station with its lock in the entrance gate and access to Cooperative's control house.



FACILITY SCHEDULE NO. 30

1. Name: **Garza**
2. Facility Location: Company's Garza Switching Station approx 6 miles north of Rio Grande City, Starr County
3. Delivery Voltage: 69 kV
4. Metered Voltage: 24.9 kV
5. Loss Adjustment Due To Meter Location: Yes
6. Normal Operation of Interconnection: Closed
7. One-Line Diagram Attached: Yes
8. Description of Facilities Installed and Owned by Each Party:

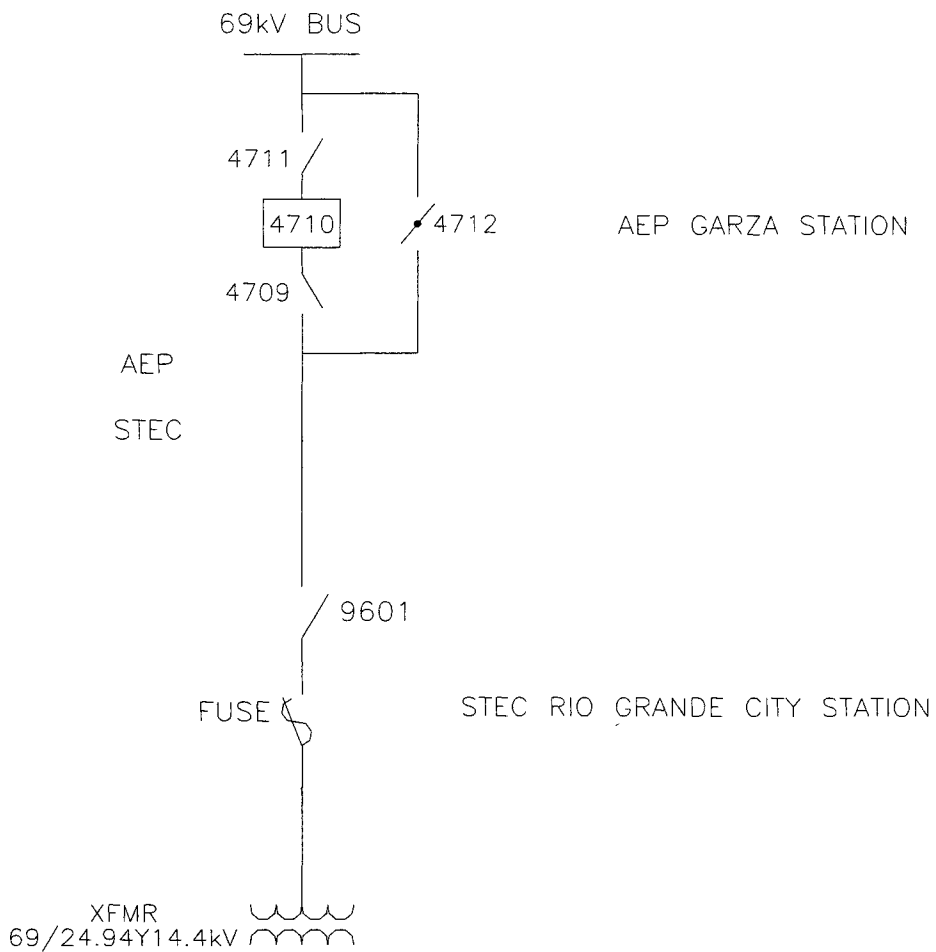
All facilities inside the Garza Substation were installed and are owned by Company except that Cooperative owns breaker 4710.

All facilities inside the Rio Grande City Substation were installed and are owned by Cooperative. Cooperative owns the connection between the stations.
9. Operational Responsibilities of Each Party:

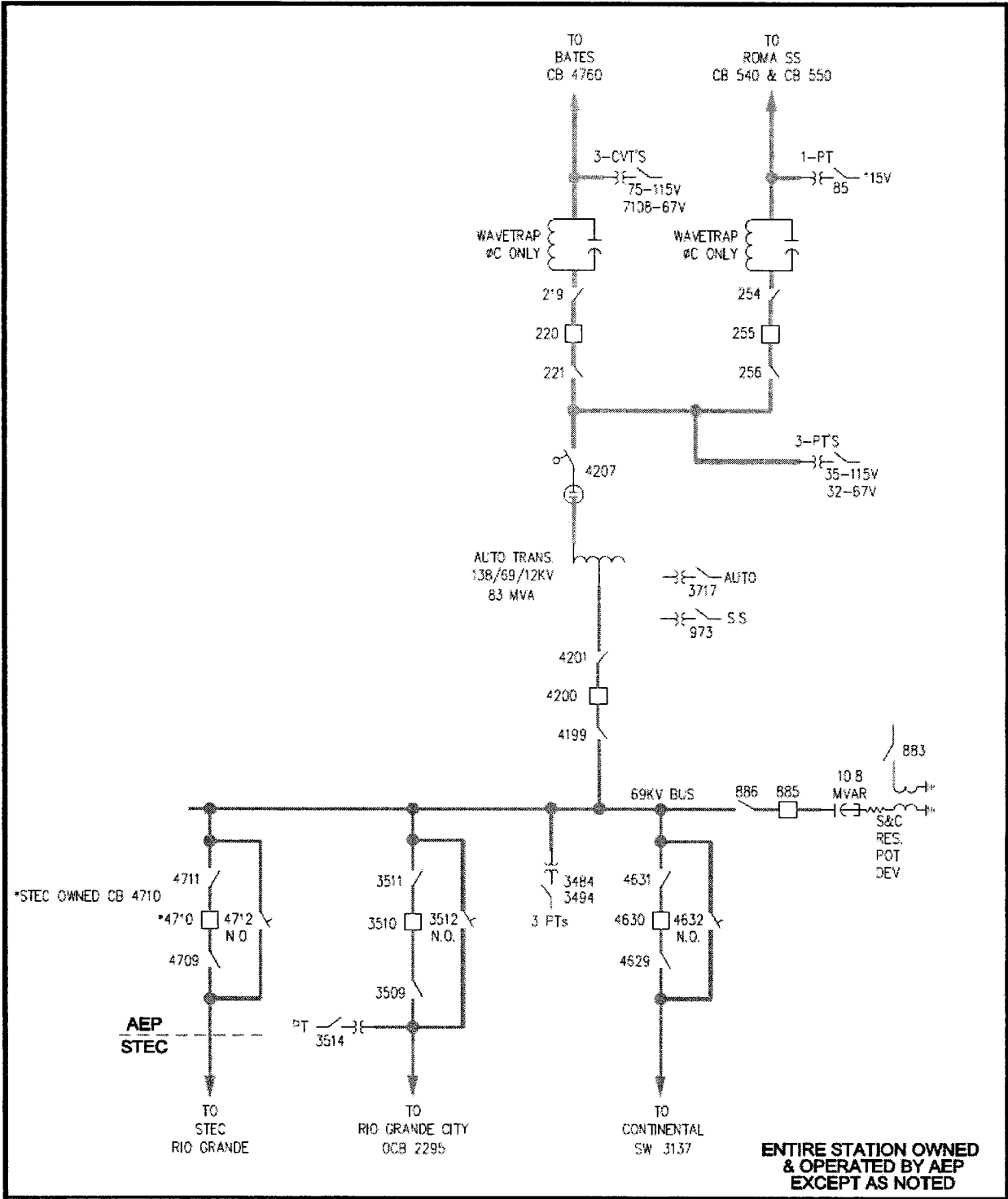
Each party is responsible for the operation of the facilities it owns except that Company may operate breaker 4710 and associated air switches. Cooperative has access to Company's Garza Switching Station to operate breaker 4710 and associated Company air switches per Company instructions. Cooperative and Company system operators shall discuss appropriate actions prior to operations of transmission equipment by either party that affect equipment or load of the other party. Switches 4709, 4711, and 4712 have dual lock capability.
10. Maintenance Responsibilities of Each Party:

Each party is responsible for the maintenance of the facilities it owns except that Company maintains all equipment in its Garza Substation.
11. Other Terms and Conditions:

Cooperative has access to Garza Substation.



SOUTH TEXAS ELECTRIC COOPERATIVE, INC.					DWG. NO	RG-IA	
P O BOX 119		NURSERY, TEXAS 77976			FACILITY SCHEDULE 30		
AEP GARZA - STEC RIO GRANDE CITY STATIONS							
STARR COUNTY							
GARZA TIE							
DWN BY	CA	CKD BY	APPD BY	SCALE	NA	DATE	6/08



TEXAS CENTRAL COMPANY		GARZA #1044		138/69kV	
APP'D BY : SPC	DR. BY : AMH	CH. BY : PDK	DATE : 12/30/09	ONE LINE DIAGRAM	
		1 RIVERSIDE PLAZA COLUMBUS, OH 43215		DISPATCHING	
				DWG. No. 1044SO01 REV 4	

FACILITY SCHEDULE NO. 31

1. Name: **Lopeno**
2. Facility Location: Cooperative Lopeno Substation at 4670 S. US Hwy 83, Zapata, Zapata County (1.1 miles south of Lopeno)
3. Delivery Voltage: 138 kV
4. Metered Voltage: 25 kV
5. Loss Adjustment Due To Meter Location: Yes
6. Normal Operation of Interconnection: Closed
7. One-Line Diagram Attached: Yes
8. Description of Facilities Installed and Owned by Each Party:

All facilities at the Lopeno Substation are owned by Cooperative except for the following, which are owned by Company:

- Motor operated switch (MOS) #1152 and associated equipment
- MOS #1047 and associated equipment
- Circuit switcher #1007 and associated equipment
- Switch #1203 and associated equipment
- Transmission dead end structures
- 138 kV bus and associated equipment
- Company's SCADA RTU and communications equipment

9. Operational Responsibilities of Each Party:

Cooperative and Company may operate Company's switches 1152 and 1047.

Cooperative shall operate switch 1203, the 138kV fuses, and the equipment it owns.

Company operates circuit switcher 1007.

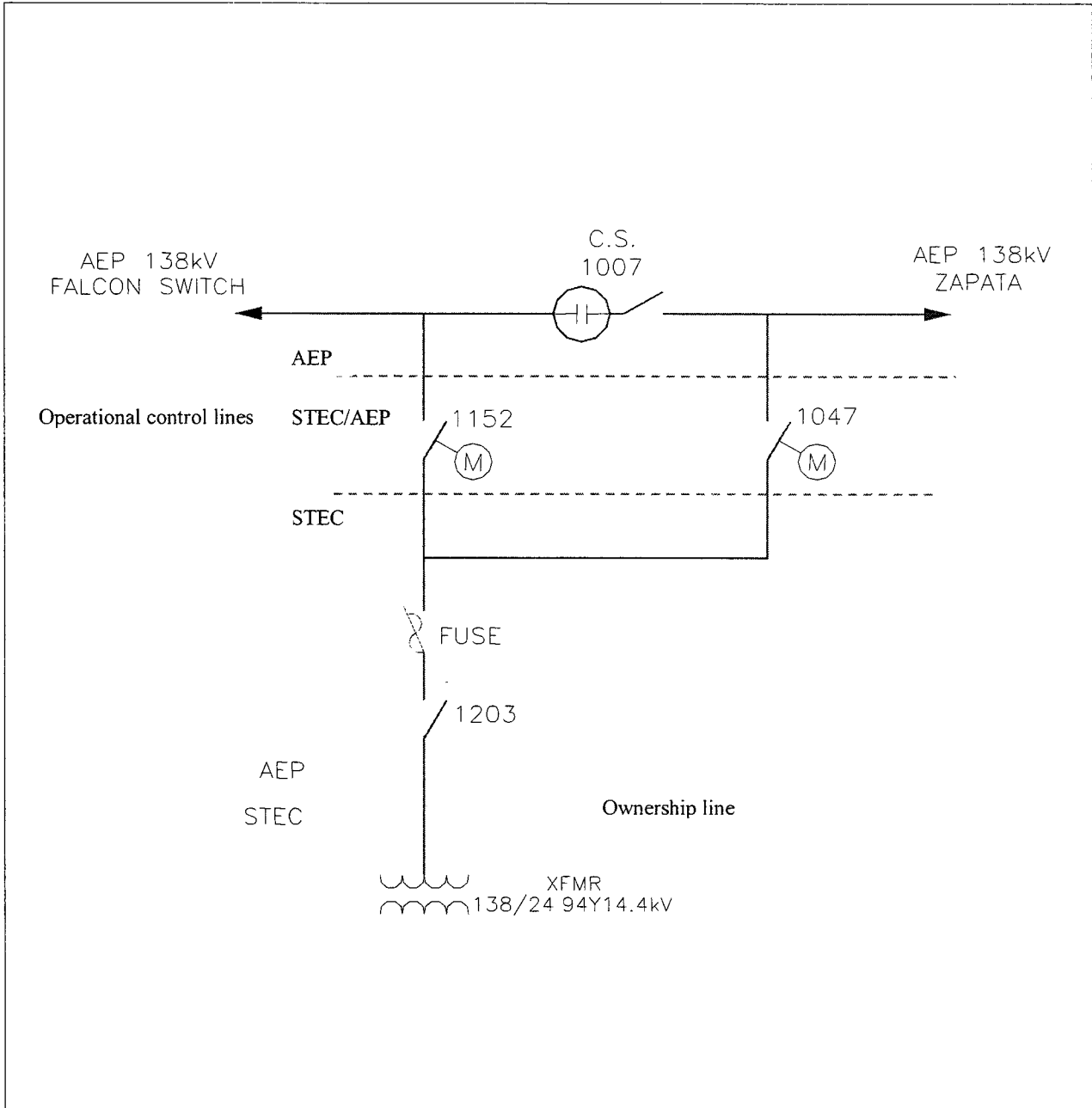
Dual locks shall be used on switches 1203, 1152, and 1047.

10. Maintenance Responsibilities of Each Party:

Each party will maintain the facilities it owns except that Cooperative will replace the 138 kV fuses as required and will maintain the 138kV equipment from its transformer up to and including the 138kV fuses and switch 1203. Cooperative maintains the 25kV revenue metering and associated equipment including instrument transformers.

11. Other Terms and Conditions:

Both parties have access to the station with locks in the entrance gates and access to the control house and equipment enclosures.



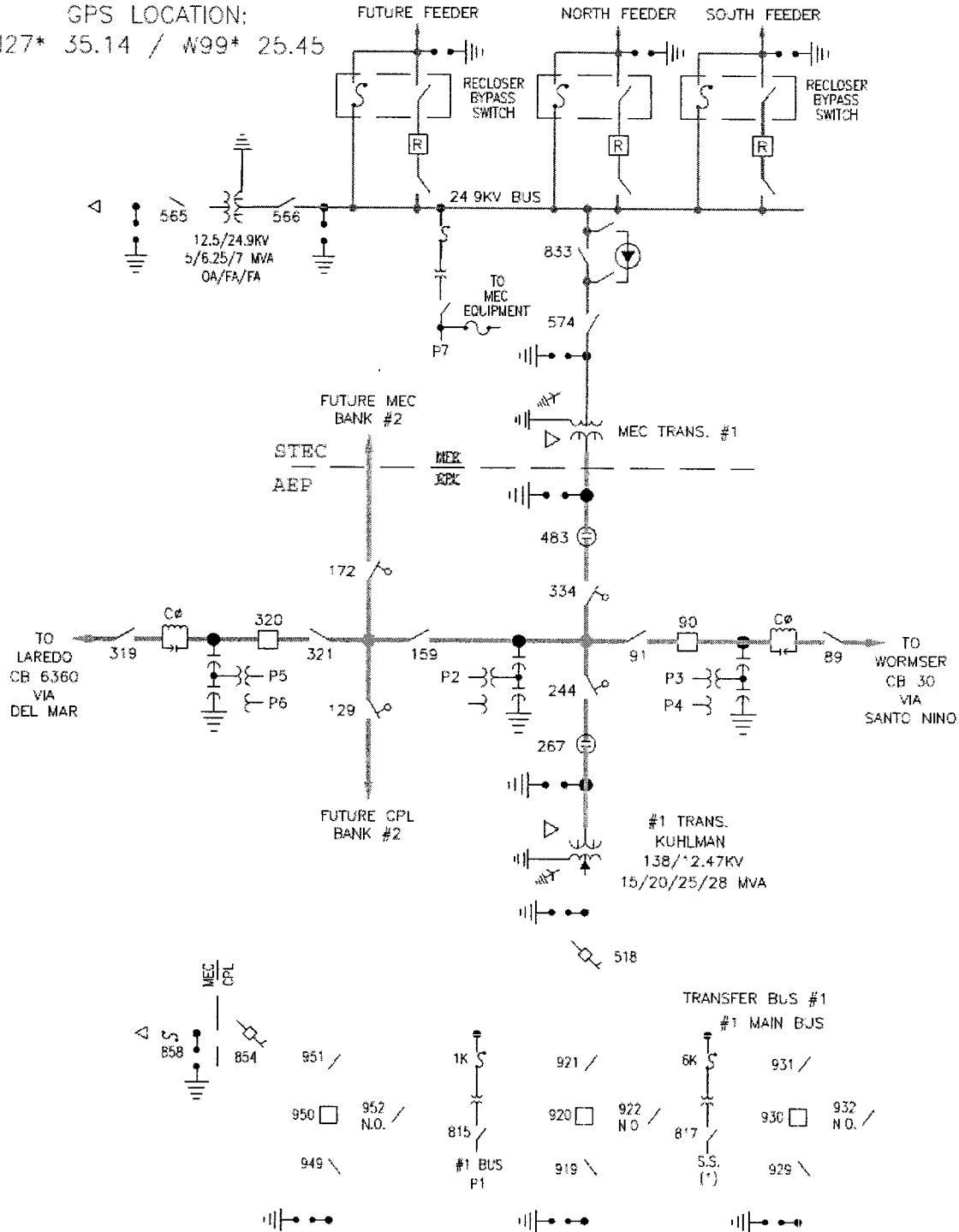
SOUTH TEXAS ELECTRIC COOPERATIVE, INC.				DWG. NO. LP-1A	
P.O. BOX 119		NURSERY, TEXAS 77976			
LOPENO 138kV SUBSTATION					
ZAPATA COUNTY					
LOPENO TIE					
DWN BY JT	CKD BY	APPD BY	SCALE NA	DATE	6/08
				FACILITY SCHEDULE 31	

FACILITY SCHEDULE NO. 32

1. Name: **University**
2. Facility Location: Company's University Substation at 7910 Casa Verde Road, Laredo, Webb County approx. 0.25 miles SE of the intersection of Del Mar Blvd. and San Ygnacio Road.
3. Delivery Voltage: 138 kV
4. Metered Voltage: 25 kV – Main Circuit, 12.5 kV – Alternate Circuit
5. Loss Adjustment Due To Meter Location: Yes
6. Normal Operation of Interconnection: Main Circuit – Closed
Alternate Circuit - Open
7. One-Line Diagram Attached: Yes
8. Description of Facilities Installed and Owned by Each Party:
All facilities inside the University Substation were installed and are owned by Company, except for the following which are owned by Cooperative:
 - 12.5kV / 25kV transformer
 - 12.5kV facilities between Company's switch #854 and Cooperative's 12.5 kV / 25 kV transformer
 - All 25 kV facilities including power transformer, secondary equipment, SCADA RTU and associated communications equipment.
9. Operational Responsibilities of Each Party:
Each party is responsible for operating the facilities it owns. Switching operations between the main and alternate circuits will be done in accordance with operating procedures established between the Parties. Cooperative may operate switch 334 and 854 and the circuit switcher 483 as per instruction from Company.
10. Maintenance Responsibilities of Each Party:
Each party is responsible for maintaining the facilities it owns.
11. Other Terms and Conditions:
Both Parties have access to the station with locks in the entrance gates and access into the control house and equipment enclosures. Company allows Cooperative space in its control house.

Transfer of load between Main Circuit feed to Alternate Circuit feed shall be de-energized. Parallel switching of the two circuits is not possible.

GPS LOCATION:
N27* 35.14 / W99* 25.45



TEXAS CENTRAL COMPANY

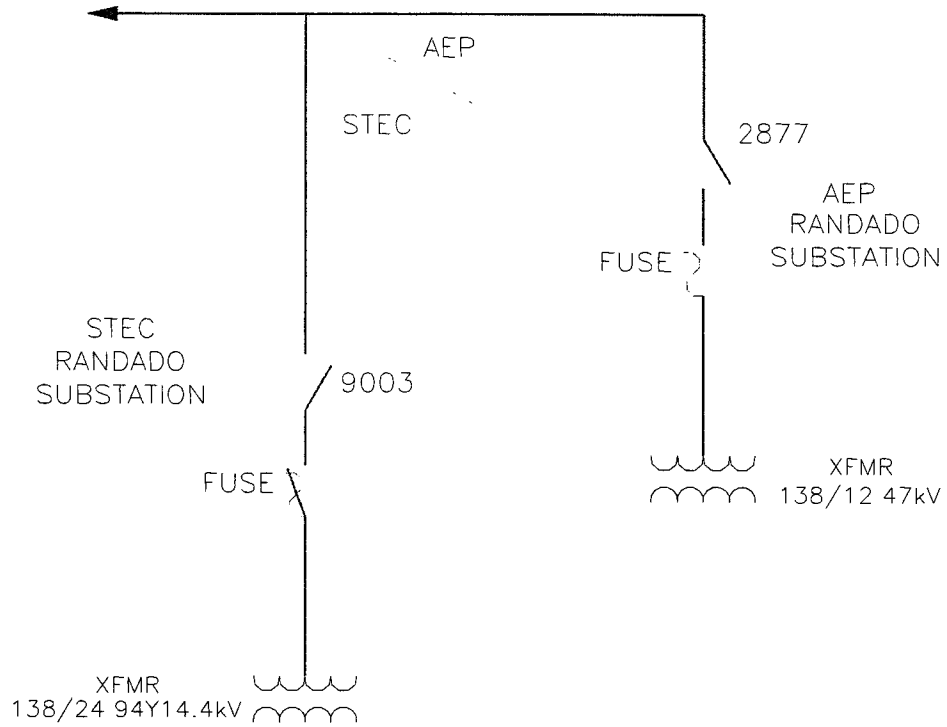
UNIVERSITY SUB #7021 - WEST DIV.

DRFT MS	ENG.TAS	APP	DATE 01/05/05	DWG NO. 7021S001	REV 2
---------	---------	-----	---------------	------------------	-------

FACILITY SCHEDULE NO. 33

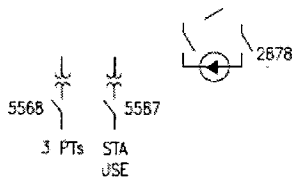
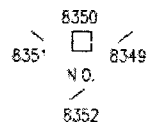
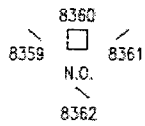
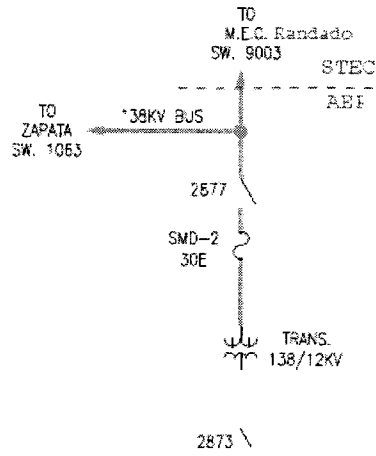
1. Name: **Randado Tie**
2. Facility Location: Company's Randado Substation at 3947 Hwy 16, Hebbroville, Jim Hogg County (about a mile west of the CR 649 intersection).
3. Delivery Voltage: 138 kV
4. Metered Voltage: 25 kV
5. Loss Adjustment Due To Meter Location: Yes
6. Normal Operation of Interconnection: Closed
7. One-Line Diagram Attached: Yes
8. Description of Facilities Installed and Owned by Each Party:
All facilities inside the Company Randado Substation were installed and are owned by Company.
All facilities inside the Cooperative's Randado Substation were installed and are owned by Cooperative. Cooperative owns the 138kV connection between its station and Company's station.
9. Operational Responsibilities of Each Party:
Each party is responsible for operating the facilities it owns except that both Parties may operate switch 9003 which has dual locks.
10. Maintenance Responsibilities of Each Party:
Each party is responsible for maintaining the facilities it owns.
11. Other Terms and Conditions:
Company has access to Cooperative's Randado Substation with a lock in the entrance gate.

AEP 138kV
TO ZAPATA



SOUTH TEXAS ELECTRIC COOPERATIVE, INC.				DWC NO RA-1A	
P O BOX 119		NURSERY, TEXAS 77976			
RANDADO SUBSTATIONS					
JIM HOGG COUNTY					
RANDADO TIE					
DWN BY CA	CKD BY	APPD BY	SCALE NA	DATE	6/08
				FACILITY SCHEDULE 32	

GPS LOCATION:
 N27* 05.2 / W98* 57.3



TEXAS CENTRAL COMPANY

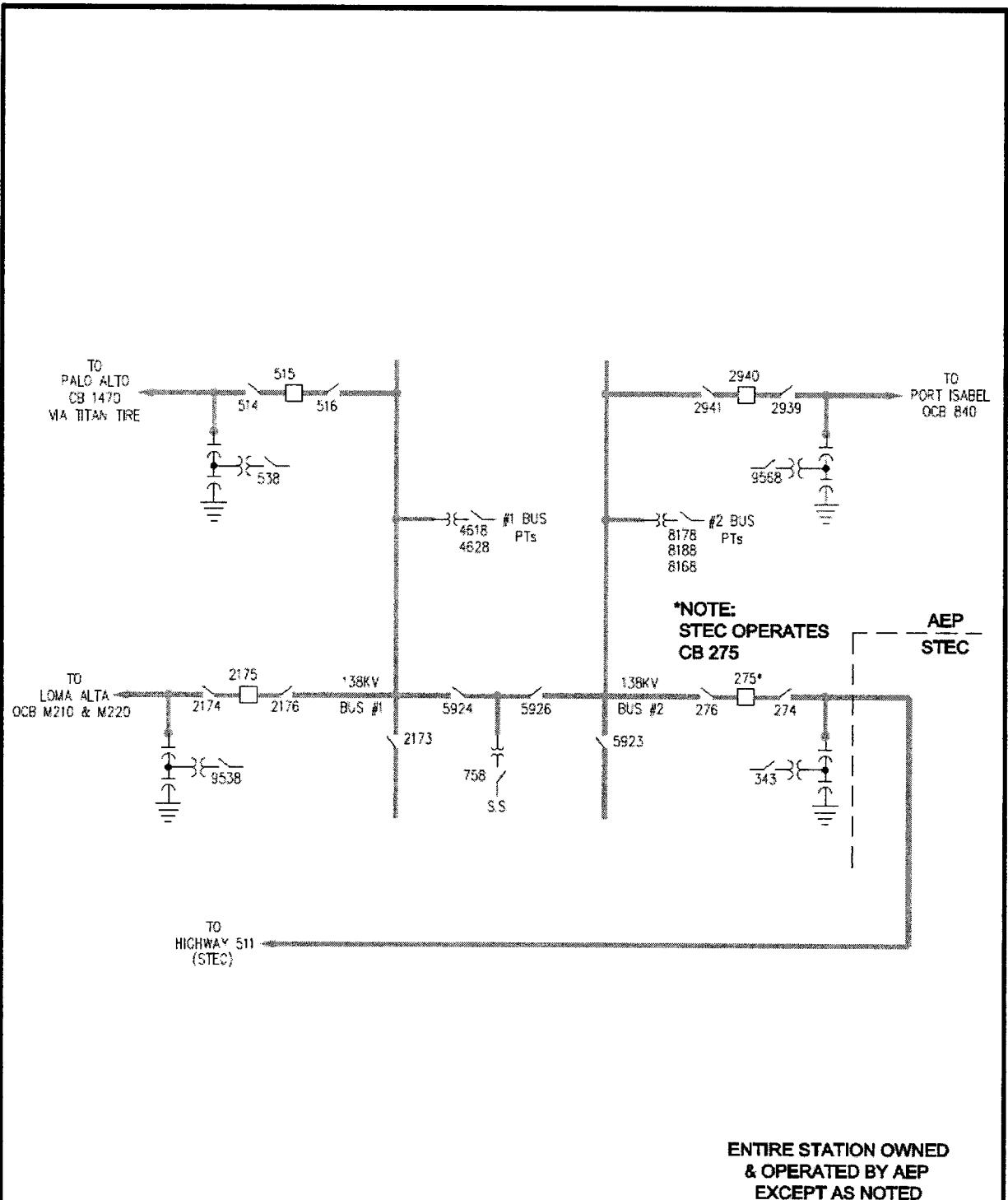


RANDADO SUB #7050 - WEST DIV.

DRFT. CAS	ENG.	APP.	DATE: 6/20/03	DWG. NO 7050S001	REV 1
-----------	------	------	---------------	------------------	-------

FACILITY SCHEDULE NO. 34

1. Name: **Union Carbide Brownsville**
2. Facility Location: Company's Union Carbide Substation near intersection of FM 48 and Chemical Road near Brownsville, Cameron County
3. Delivery Voltage: 138kV
4. Metered Voltage: 138kV, line monitoring meter
5. Loss Adjustment Due To Meter Location: No
6. Normal Operation of Interconnection: Closed
7. One-Line Diagram Attached: Yes
8. Description of Facilities Installed and Owned by Each Party:
Company owns all equipment at this substation except for the following that is owned by Cooperative:
 - Weather station monitoring and communication equipment
 - Cooperative SCADA monitoring and control equipment
 - Fiber and radio communications equipment used for Cooperative communication and relaying.
 - Cooperative's 138kV line connected to Company's deadend structure in the station
9. Operational Responsibilities of Each Party:
Cooperative operates breaker #275.
Company operates all remaining equipment at this station.
10. Maintenance Responsibilities of Each Party:
Each Party is responsible for the maintenance of its own equipment.
Company will maintain the site including vegetation control.
11. Other Terms and Conditions:
Cooperative has access to the station with a lock in the entrance gate(s) and access to the control house.



ENTIRE STATION OWNED
& OPERATED BY AEP
EXCEPT AS NOTED

TEXAS CENTRAL COMPANY		UNION CARBIDE BROWNSVILLE #1070		138KV	
APP'D BY :	DR. BY : RLC	CH. BY :	DATE : 12/16/09	ONE LINE DIAGRAM	
		1 RIVERSIDE PLAZA COLUMBUS, OH 43215		Work Order #:	
				DWG. No. 1070SO01	REV 2

FACILITY SCHEDULE NO. 35

1. Name: **Las Milpas**
2. Facility Location: Cooperative's Las Milpas Substation at 5708 S. Cage Blvd.(Hwy 281), Pharr, Hidalgo County
3. Delivery Voltage: 138kV
4. Metered Voltage: 12.47kV
5. Loss Adjustment Due To Meter Location: Yes
6. Normal Operation of Interconnection: Closed
7. One-Line Diagram Attached: Yes
8. Description of Facilities Installed and Owned by Each Party:
Cooperative owns all equipment at this substation except for the following, which is owned by Company:
 - Dead end transmission tower and associated equipment
 - Motor Operated Air Switch (MOAS) 4247, 4257, and Circuit Switcher 4187 including all associated equipment
 - Switch 4267 and associated equipment
 - Wave trap and associated equipment
 - 138 kV metering and associated equipment including CT's, PT's, meters, and recorders
 - RTU's for the above equipment, radio for SCADA and control panel for Company switches
9. Operational Responsibilities of Each Party:
Company operates MOAS 4247, MOAS 4257 and Circuit Switcher 4187.
Cooperative operates all remaining equipment at this station including switch 4267.
10. Maintenance Responsibilities of Each Party:
Each Party is responsible for the maintenance of the equipment it owns.
Cooperative will maintain the site including vegetation control.
11. Other Terms and Conditions:
Each Party has access to the station and the control house.