

Bus and switch insulators, and apparatus bushings (i.e., circuit breaker bushings, transformer bushings, coupling capacitors, capacitive voltage transformers (CVT), current transformers (CT), potential transformers (PT), surge arresters etc.) impulse level 650 kV BIL

Bus and switch insulators leakage distance 132 in. leakage distance (equivalent to extra creep 650 kV BIL or 750 kV BIL). Additionally, insulators may require 'coating' in some areas of the system to minimize the likelihood of flashover.

Apparatus bushing leakage distance (circuit breaker bushings, transformer bushings, CVT, CT, PT, surge arresters etc.) 92 in. creep (equivalent to 650 kV BIL – light contamination levels). Additionally, apparatus bushings may require 'coating' in some areas of the system to minimize the likelihood of flashover.

Phase-to-ground clearance 52 in. (metal to metal)

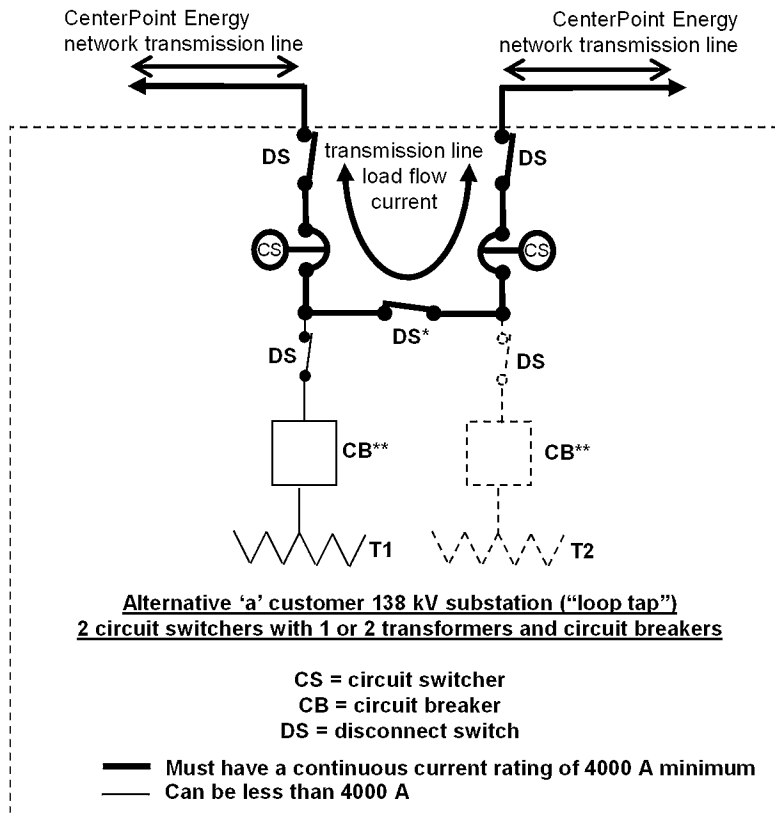
Phase-to-phase bus spacing (including vertical spacing at crossover point of high and low bus) 63 in. (metal to metal)

Phase-to-phase horizontal spacing (center line to center line) at incoming line dead-end structure 144 in. (regardless of the line angle)

- 4.2. An air insulated customer-owned substation configured in a 'ring bus', 'double-breaker, double-bus' or 'breaker-and-a-half' arrangement equipped with transmission line protective relaying ("full loop") or an air insulated customer-owned substation configured in a 'loop line tap' arrangement without transmission line protective relaying ("loop tap") are allowed by CenterPoint Energy (see Figure 2 through Figure 7).
- 4.3. Based on the customer-owned substation configuration, equipment in the substation that is subjected to transmission line load flow current (circuit breakers and disconnect switches, bus work, conductors or any series-connected, current carrying devices, such as, free-standing current transformers, protective relays, instrumentation, or hardware within the ring bus or transmission line breaker-and-a-half bay) and incoming transmission line positions (transmission line disconnect switches, line traps, etc.) shall have a continuous current rating of 4000 A minimum and shall have an overload capability of 110 percent of rated current for 2 hours, unless otherwise specified by CenterPoint Energy. The equipment in the customer-owned substation that is not subjected to transmission line load flow current is not required to be 4000 A minimum. However, operational scenarios associated with certain equipment outages could exist that would result in transmission line load current flowing on customer internal lines or buses (customer site internal 'loop line' or customer site internal 'loop bus') and potentially overload the customer's equipment if it is rated less than 4000 A. Therefore, CenterPoint Energy suggests that any customer site internal 'loop line' and customer site internal 'loop bus' (except customer site internal 'radial' line or customer transformer bus connections) be 4000 A minimum (see Figure 2 through Figure

						CENTERPOINT ENERGY HOUSTON, TEXAS		
						WRITTEN	4/9/74	E. C. Reid
						CHECKED	4/10/74	L. G. Pond
						APPROVED	7/17/74	C. S. Kayser
Ray	Gulf Wind-2015A, 2016A, 2017A, 2018A, 2019A, 2020A, 2021A	Change to 4000A and other updates	Var	Var	DRS	Page 6 of 46		
	NO	DATE	ITEMS REVISED	BY	CH	APP	SPECIFICATION NO. 007 231 14	

7). For customer-owned substations connecting to four or more CenterPoint Energy 138 kV transmission lines, contact CenterPoint Energy for the required equipment rating.



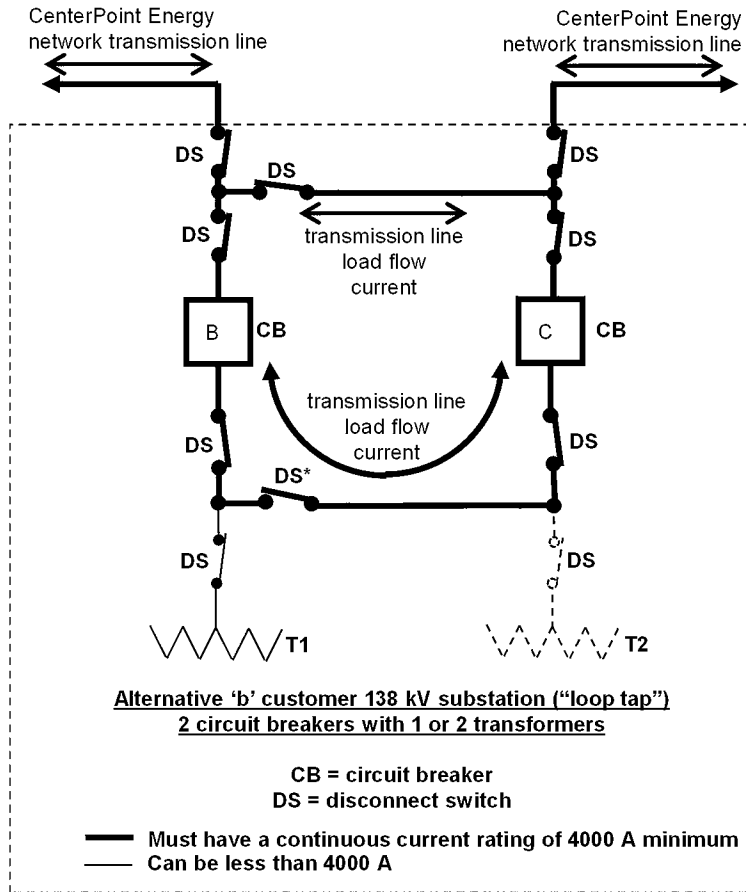
All disconnect switches only have arcing horns. Circuit switchers are required to be installed in this configuration. The circuit switchers are used for manual switching of the network transmission line sections.
 •If two transformers are installed then this disconnect switch is installed and is 'normally closed'.
 ** For substation arranged for future "full loop" service, the 138 kV circuit breakers that will be in the substation 'loop' shall have a continuous current rating of 4,000 A (see figures 3 to 7)

Figure 2

CENTERPOINT ENERGY HOUSTON, TEXAS		
WRITTEN	4/9/74	E. C. Reid
CHECKED	4/10/74	L. G. Pond
APPROVED	7/17/74	C. S. Kayser
Page 7 of 46		
SPECIFICATION NO. 007 231 14		

NO	DATE	ITEMS REVISED	BY	CH	APP
17	9-2-2021	Update sections 4 & 11	Var	Var	GAC
16	8-3-2017	Update Sections 8 & 9 for Telecom	cwm	Var	MDB
15	11-16-2015	Updates	Var	Var	DRS
Ray	2-21-2015	Change to 4000A and other updates	Var	Var	DRS

EXHIBIT "I"

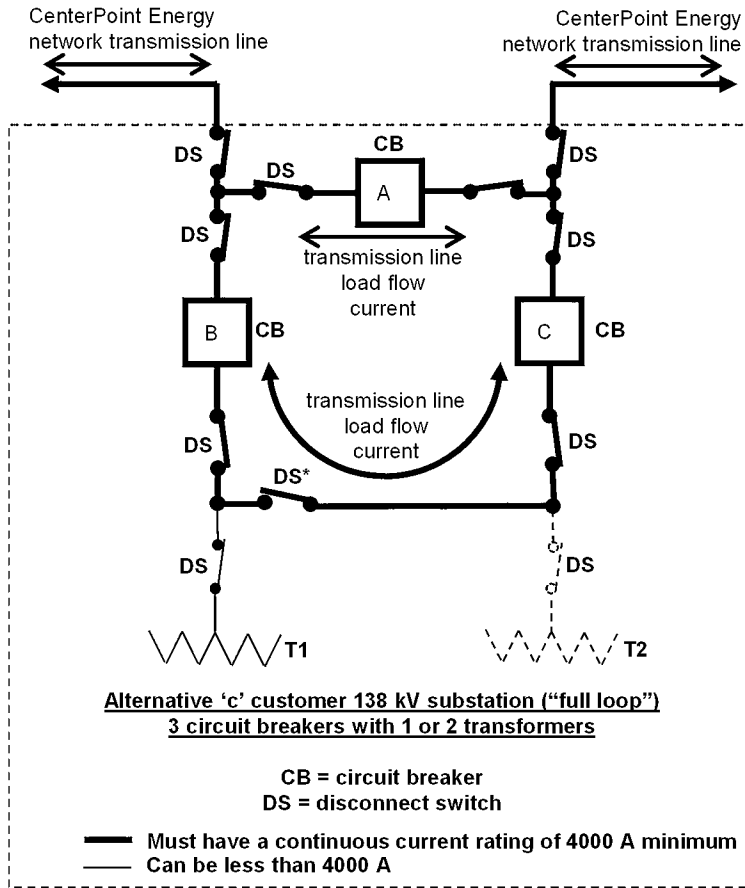


All disconnect switches only have arcing horns. Circuit switchers are not used for manual switching of the network transmission line sections in this configuration. The circuit breakers are used for manual switching of the network transmission line sections.
 * If two transformers are installed then this disconnect switch is installed and is 'normally open'.

Figure 3

CENTERPOINT ENERGY HOUSTON, TEXAS		
WRITTEN	4/9/74	E. C. Reid
CHECKED	4/10/74	L. G. Pond
APPROVED	7/17/74	C. S. Kayser
Page 8 of 46		
SPECIFICATION NO. 007 231 14		

Ray	17	9-2-2021	Update sections 4 & 11	Var	Var	GAC
	16	8-3-2017	Update Sections 8 & 9 for Telecom	cwm	Var	MDB
	15	11-16-2015	Updates	Var	Var	DRS
	14	2-11-2015	Change to 4000A and other updates	Var	Var	DRS
	NO	DATE	ITEMS REVISED	BY	CH	APP



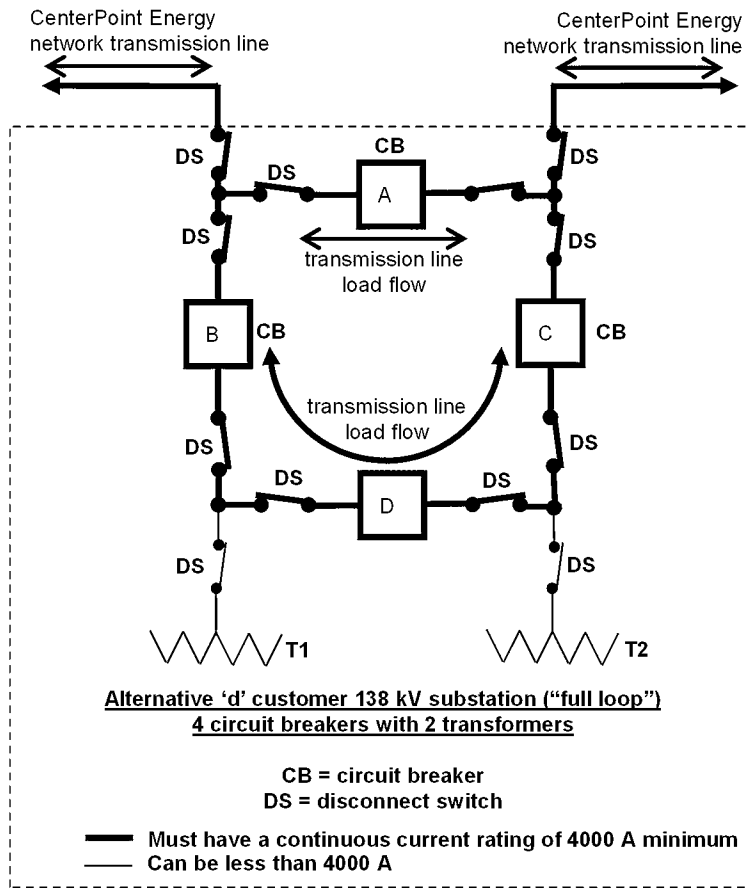
All disconnect switches only have arcing horns. Circuit switchers are not used for manual switching of the network transmission line sections in this configuration. The circuit breakers are used for manual switching of the network transmission line sections..

* If two transformers are installed then this DS is 'normally open' or 'normally closed' depending on customer operating preference.

Figure 4

CENTERPOINT ENERGY HOUSTON, TEXAS		
WRITTEN	4/9/74	E. C. Reid
CHECKED	4/10/74	L. G. Pond
APPROVED	7/17/74	C. S. Kayser
Page 9 of 46		
SPECIFICATION NO. 007 231 14		

Ray	17	9-2-2021	Update sections 4 & 11	Var	Var	GAC
	16	8-3-2017	Update Sections 8 & 9 for Telecom	cwm	Var	MDB
	15	11-16-2015	Updates	Var	Var	DRS
	14	11-16-2015	Change to 4000A and other updates	Var	Var	DRS
	NO	DATE	ITEMS REVISED	BY	CH	APP

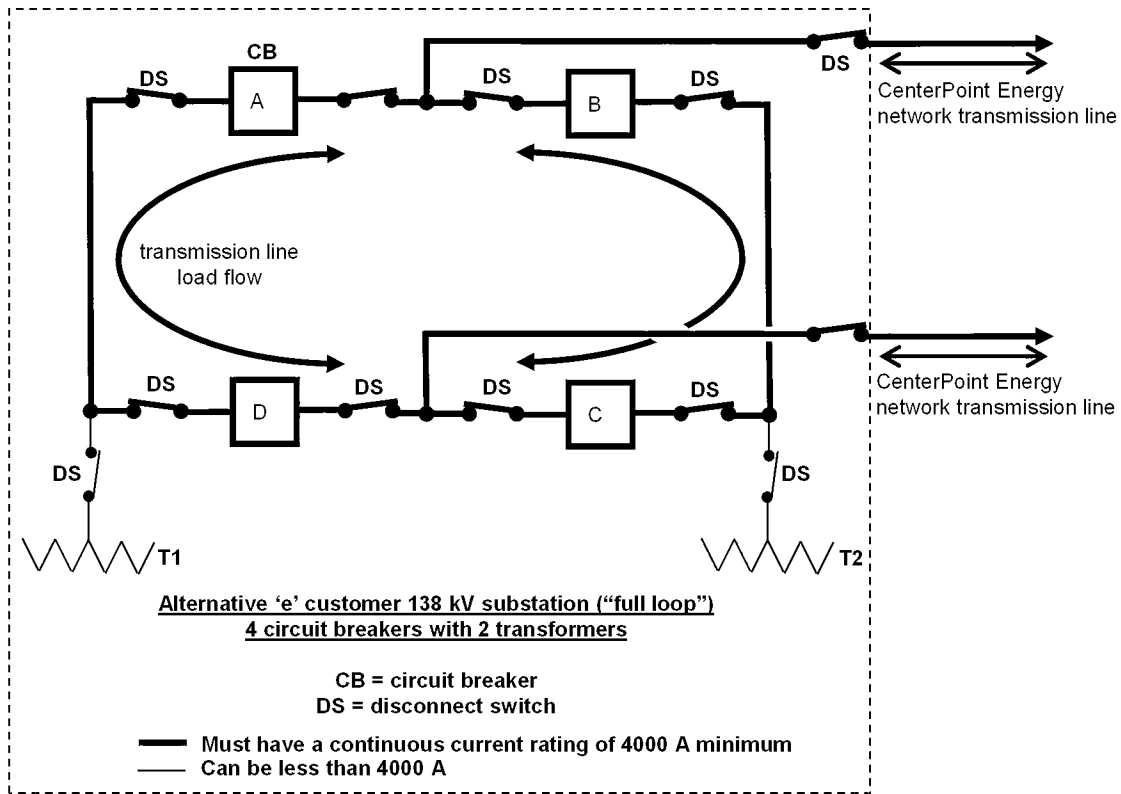


All disconnect switches only have arcing horns. Circuit switchers are not used for manual switching of the network transmission line sections in this configuration. The circuit breakers are used for manual switching of the network transmission line sections.

Figure 5

Ray	17	9-2-2021	Update sections 4 & 11	Var	Var	GAC
	16	8-3-2017	Update Sections 8 & 9 for Telecom	cwm	Var	MDB
	15	11-16-2015	Updates	Var	Var	DRS
	14	11-16-2015	Change to 4000A and other updates	Var	Var	DRS
	NO	DATE	ITEMS REVISED	BY	CH	APP

CENTERPOINT ENERGY HOUSTON, TEXAS		
WRITTEN	4/9/74	E. C. Reid
CHECKED	4/10/74	L. G. Pond
APPROVED	7/17/74	C. S. Kayser
Page 10 of 46		
SPECIFICATION NO. 007 231 14		

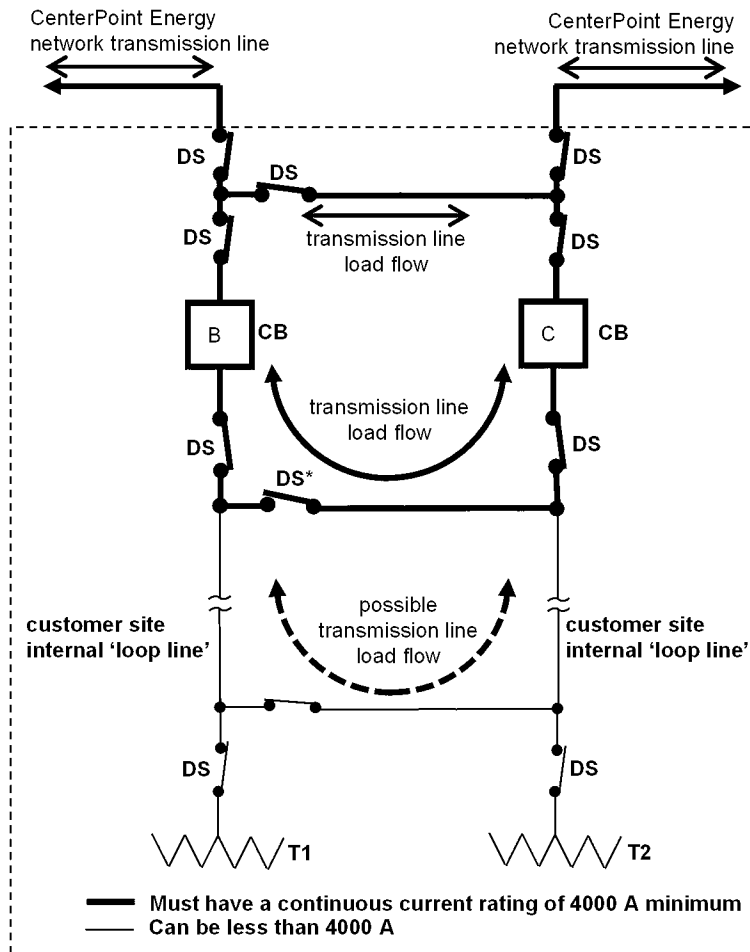


All disconnect switches only have arcing horns. Circuit switchers' are not used for manual switching of the network transmission line sections in this configuration. The circuit breakers are used for manual switching of the network transmission line sections.

Figure 6

Ray	17	9-2-2021	Update sections 4 & 11	Var	Var	GAC
	16	8-3-2017	Update Sections 8 & 9 for Telecom	cwm	Var	MDB
	15	11-16-2015	Updates	Var	Var	DRS
	14	2-11-2015	Change to 4000A and other updates	Var	Var	DRS
	NO	DATE	ITEMS REVISED	BY	CH	APP

CENTERPOINT ENERGY HOUSTON, TEXAS		
WRITTEN	4/9/74	E. C. Reid
CHECKED	4/10/74	L. G. Pond
APPROVED	7/17/74	C. S. Kayser
Page 11 of 46		
SPECIFICATION NO. 007 231 14		



Any customer connection from the "full loop" substation or "loop tap" substation to the customer's transformers, customer buses, or customer lines (i.e. customer plant internal 'loop lines', etc.) are not required to be 4000 A minimum. However, operational scenarios after a scheduled outage of equipment in a customer substation could exist that would result in transmission line load current flowing on customer site internal lines or buses (customer site internal 'loop line' or 'loop bus') and potentially overload the customer's equipment if it is rated less than 4000 A. Therefore, CenterPoint Energy suggests that any customer site internal 'loop line' and customer site internal 'loop bus' (except customer site internal 'radial' line or customer transformer bus connection) be 4000 A minimum.

Figure 7

- 4.4. The 138 kV customer-owned substation shall be designed for a short circuit current of 63 kA rms symmetrical, with X/R ratio of 15, unless otherwise specified by CenterPoint Energy.
- 4.5. 138 kV customer-owned substations which are connected directly into or located within 2 miles electric distance of a CenterPoint Energy 138 kV substation that is designed for a short circuit current of 80 kA rms symmetrical, must be designed to the same short circuit current of 80 kA rms symmetrical, with X/R ratio of 15, unless otherwise explicitly specified by CenterPoint Energy.

CENTERPOINT ENERGY HOUSTON, TEXAS		
WRITTEN	4/9/74	E. C. Reid
CHECKED	4/10/74	L. G. Pond
APPROVED	7/17/74	C. S. Kayser
Page 12 of 46		
SPECIFICATION NO. 007 231 14		

NO	DATE	ITEMS REVISED	BY	CH	APP
17	9-2-2021	Update sections 4 & 11	Var	Var	GAC
16	8-3-2017	Update Sections 8 & 9 for Telecom	cwm	Var	MDB
15	11-16-2015	Updates	Var	Var	DRS
14	11-16-2015	Change to 4000A and other updates	Var	Var	DRS

Ray

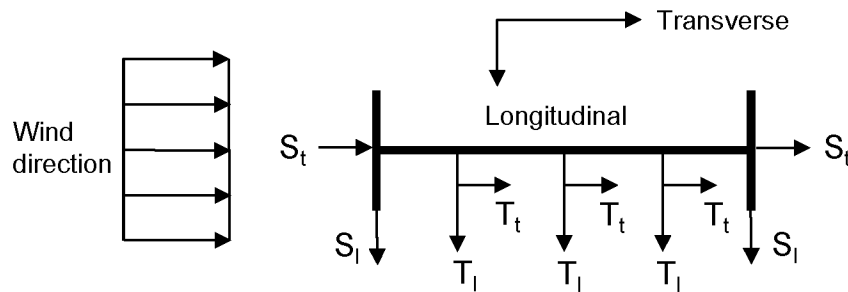
- 4.6. The application of key interlock systems are not permitted on customer-owned substation 138 kV equipment.
- 4.7. The customer's connected load and equipment shall be designed and operated to adhere to the recommended harmonic limits of IEEE 519 and limits of voltage fluctuations and associated light flicker of IEEE 1453.
- 4.8. The customer shall not, without CenterPoint Energy's consent, connect or operate equipment that produces voltage fluctuations, interference or distorted wave forms that adversely affect service to other customers or that may be detrimental to the CenterPoint Energy transmission system. Such equipment includes, but is not limited to, motors, arc furnaces, capacitor banks, etc. The customer is obligated to provide load and equipment information (i.e., load magnitude, peak load, load profile, amount of self-serve generation, load characteristics, motor starting data, load increase) for CenterPoint Energy interconnection study and development of interconnection requirements. CenterPoint Energy may require the installation, on customer's side of the meter, of suitable apparatus or other equipment designed specifically to reasonably limit such adverse effects.
- 4.9. The customer-owned substation ground mat shall be designed for a short circuit current of 63 kA rms symmetrical with X/R ratio of 15 and duration of 0.25 seconds and comply with IEEE 80 and IEEE C2 (NESC). Ground mat connections shall comply with IEEE 837, unless otherwise specified by CenterPoint Energy.
- 4.10. 138 kV customer-owned substations which are connected directly into or located within 2 miles electric distance of a CenterPoint Energy substation that is designed for a short circuit current of 80 kA rms symmetrical, shall design the ground mat for a short circuit current of 80 kA rms symmetrical, with X/R ratio of 15 and duration of 0.25 seconds and comply with IEEE 80 and IEEE C2 (NESC). Ground mat connections shall comply with IEEE 837, unless otherwise specified by CenterPoint Energy.
- 4.11. The customer-owned substation direct lightning stroke shielding design shall comply with IEEE 998.
- 4.12. The customer shall refer to the current CenterPoint Energy tariff for retail delivery service regarding additional information pertaining to load balance, intermittent electrical loads and limitations on adverse effects, equipment sensitive to voltage and wave forms, change in retail customer's electrical load, power factor, and testing of retail customer equipment.

5. STRUCTURAL AND MECHANICAL DESIGN CRITERIA

- 5.1. The customer shall provide a complete structural and foundation design package for the dead-end structures (supporting the CenterPoint Energy transmission lines connected to the customer-owned substation) and the instrument transformer stands in accordance with Article 14 of this specification. The design package shall be signed and sealed by a professional engineer registered in Texas and shall include design references/codes, computer analysis, member design, connection design, foundation design, soil report, structural and foundation drawings, and all other information that documents the design of the structure(s). ASCE 113 may be used for guidance in the design of structures inside the customer-owned substation.

						CENTERPOINT ENERGY HOUSTON, TEXAS		
						WRITTEN	4/9/74	E. C. Reid
						CHECKED	4/10/74	L. G. Pond
						APPROVED	7/17/74	C. S. Kayser
Ray	Gulf Wind-SCFA, 2019-05-17	2019-05-17	000A and other updates	Var	Var	DRS	Page 13 of 46	
	NO	DATE	ITEMS REVISED	BY	CH	APP	SPECIFICATION NO. 007 231 14	

- 5.2. Design shall be based upon loadings realistically combined to cause the most unfavorable effect upon the structure or component. If the AISC ASD method is used, the 1/3 increase in allowable stress is not permitted for wind loads. The loads and overloads used in Sub-Article 5.4 of this specification must be used for the loading with Allowable Stress Design. If the AISC LRFD method is used, the structure must have a second order elastic analysis (also called a Geometric Nonlinear Analysis). Refer also to Sub-Article 5.4 and 5.5.5 of this specification.
- 5.3. Structures shall meet the Strength Requirements of IEEE C2 (NESC), Section 26, for grade B construction.
- 5.4. The minimum acceptable structural design loading criteria shall be the more severe of the following two cases (note the cases incorporate loads up to a 30 degree angle):
 - 5.4.1. Case 1 - Combined Ice and Wind Loading: Reference specification IEEE C2 (NESC); minimum allowable strength factors per Section 26, Table 261-1; loading requirements per Section 25, Rule 250.B and Table 250-1; and loading components to be applied to the structure shall be according to Figure 8 of this specification. The static wire and phase wire loads shown in Case 1 include the required overload factors. The wind on the structure must include a 2.50 overload.



Wind and Ice loads are specified in Section 25 of IEEE C2

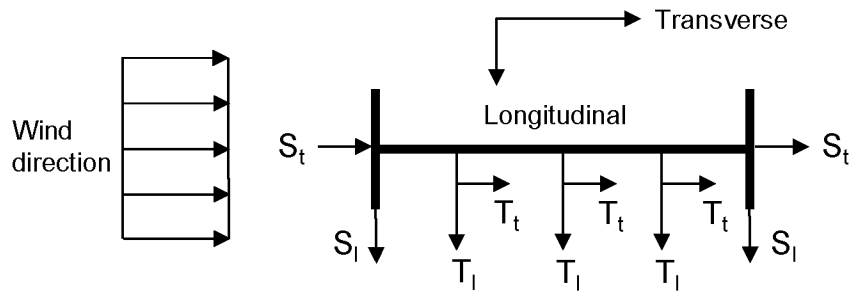
Static wire	Phase wire
Sl = 10.5 kips/wire longitudinally	Tl = 23.0 kips/phase longitudinally
St = 6.7 kips/wire transversely	Tt = 14.4 kips/phase transversely
Sv = 0.5 kips/wire vertically	Tv = 1.5 kips/phase vertically

CASE 1 - Combined Ice and Wind Loading – Overhead View
static wire and phase wire loading component
(The static wire and phase wire loads shown include the required overload factors)

Figure 8

- 5.4.2. Case 2 - Extreme Wind Loading: Reference specification; IEEE C2 (NESC) Section 25, Rule 250.C; minimum allowable strength factors per IEEE C2 (NESC), Section 26, Table 261-1; and magnitude and direction of static wire and phase wire loading components to be applied to the structure shall be according to Figure 9 of this specification. The static wire and phase wire loads shown in Case 2 include the required overload factors. The wind on structure loads are applied in the Transverse direction and must include a 1.1 overload factor.

						CENTERPOINT ENERGY		
						HOUSTON, TEXAS		
						WRITTEN	4/9/74	E. C. Reid
						CHECKED	4/10/74	L. G. Pond
						APPROVED	7/17/74	C. S. Kayser
						Page 14 of 46		
Ray	Gulf Wind-SCFA, 2015-05-17	2015-05-17	2000A and other updates	Var	Var	DRS		
NO	DATE	ITEMS REVISED		BY	CH	APP	SPECIFICATION NO. 007 231 14	



For Case 2 the following shall apply:
 Basic Wind speed determined from wind map in, Exposure category C,
 Importance factor 1.0, Design wind pressure equation and coefficients
 per IEEE C2 (NESC) Rule 250.C in latest version.

Static wire	Phase wire
Sl = 12.0 kips/wire longitudinally	Tl = 22.0 kips/phase longitudinally
St = 5.5 kips/wire transversely	Tt = 10.5 kips/phase transversely
Sv = 0.5 kips/wire vertically	Tv = 1.5 kips/phase vertically

CASE 2 - Extreme Wind Loading – Overhead View
 static wire and phase wire loading component
 (The static wire and phase wire loads shown include the required overload factors)

Figure 9

5.5. The requirements for dead-end structures are as follows:

- 5.5.1. Customer shall design all attachment points to ensure that sufficient electrical clearance is maintained to the customer’s structure ground and equipment. CenterPoint Energy will extend the phase wires to the first item of customer’s equipment or bus and will furnish, own and maintain all necessary fittings for terminating the phase wires including the tower fittings, suspension insulators, dead-end clamps and phase wire terminal fittings with NEMA CC 1 standard four-hole terminals (0.5625 in. diameter holes, 1.75 in. centers) for attachment to the first item of equipment or bus in the customer-owned substation. CenterPoint Energy will also furnish stirrup clamps or other similar devices (such as a bar on the NEMA pad that is used with ACSS conductors) on the phase wires as required for connection of surge arresters and potential transformers. Customer will provide a grounding conductor from the customer-owned substation ground mat, up the dead-end structure, to the static wire pull-off plates. CenterPoint Energy will furnish, own and maintain all necessary fittings for terminating the static wire and for connecting the static wire to the customer provided substation ground conductor at the static wire pull-off plates including the tower fittings, dead-end clamps and static wire terminal fittings for attachment to the customer provided substation ground conductor.
- 5.5.2. Customer shall provide pull-off plates for terminating the phase wires and static wires which will accommodate a minimum of 1 in. pin. All pull-off plates must satisfy Equations 4.6-1 and 4.6-2 in ASCE 10. Details for division of ownership shall be in accordance with CenterPoint Energy Drawing 004-241-04 Customer-Owned Substation Line Termination Standard.
- 5.5.3. The height of the dead-end structure’s phase wire attachment shall be in accordance with the National Electric Safety Code (IEEE C2) or 40 ft. whichever is greater, unless otherwise specified

CENTERPOINT ENERGY HOUSTON, TEXAS		
WRITTEN	4/9/74	E. C. Reid
CHECKED	4/10/74	L. G. Pond
APPROVED	7/17/74	C. S. Kayser
Page 15 of 46		
SPECIFICATION NO. 007 231 14		

Ray	17	9-2-2021	Update sections 4 & 11	Var	Var	GAC
	16	8-3-2017	Update Sections 8 & 9 for Telecom	cwm	Var	MDB
	15	11-16-2015	Updates	Var	Var	DRS
	14	2-11-2015	Change to 1700A and other updates	Var	Var	DRS
	NO	DATE	ITEMS REVISED	BY	CH	APP

by CenterPoint Energy. The static wire height at attachment shall be at a sufficient elevation and position to provide a shield angle to the outside phase wires of 30° and 45° between two adjacent static wires (see IEEE 142).

- 5.5.4. CenterPoint Energy will determine if the installation of fiber optic cable is required for transmission line protective relaying and/or control purposes. The fiber optic cable installation will normally be installed underground from the transmission line protective relay requiring fiber optic communication (i.e., relay located in the substation control cubicle) to the base of the first CenterPoint Energy transmission line structure outside the substation. However, should an overhead installation be required, additional loadings will be imposed on the customer's dead-end structure. Additional design information concerning the fiber optic cable will be supplied by CenterPoint Energy when overhead fiber optic cable is to be used. The connection for the fiber optic cable is typically at least 8 feet from the nearest phase wire. If an overhead installation is required and the fiber optic cable cannot be accommodated on the dead-end structure, a single pole must be installed in the customer-owned substation to transition the fiber optic cable from overhead to underground.
- 5.5.5. If multiple dead end bays are installed that share a middle column or support, the support must be designed to withstand the loads from the adjacent circuits.
- 5.6. When high-side (138 kV) metering is utilized, the customer shall design, provide and install stands for mounting CenterPoint Energy furnished instrument transformers (potential and current transformers). The customer shall also design and build foundations to support the stands and instrument transformers. The designs shall be in accordance with Sub-Articles 5.1- 5.4 of this specification. The instrument transformer parameters to be used for the design of the instrument transformer stand are indicated on CenterPoint Energy drawing 171-190-06. Since the instrument transformer may change in the future, the stand mounting surface for the instrument transformer must be adjustable or use grating to accommodate diverse mounting bolt patterns. If a grating is used for the stand mounting surface for the instrument transformer, washer plates of sufficient size and thickness to load up 4 bars must be used on top and bottom of the grating. Design calculations showing the load transfer from the bolt to the washer plates to the bars to the column must be provided. The customer is responsible for providing the bolts and washer plates. The customer will design a mounting stand and foundation for the hurricane wind speeds and overloads from Sub-Article 5.4.2 of this specification. If the AISC ASD design method is used, the 1/3 increase in allowable stress will not be permitted. If the AISC LRFD method is used, the structure must have a second order elastic analysis (also called a Geometric Nonlinear Analysis). The customer shall limit the horizontal deflection of the potential transformer and current transformer stand at the instrument mounting height to the mounting height divided by 100. The wind load used for the deflection limit shall be the 5-year mean recurrence interval wind. A conversion factor of 0.78 applied to the hurricane wind pressure will yield the 5 year MRI.

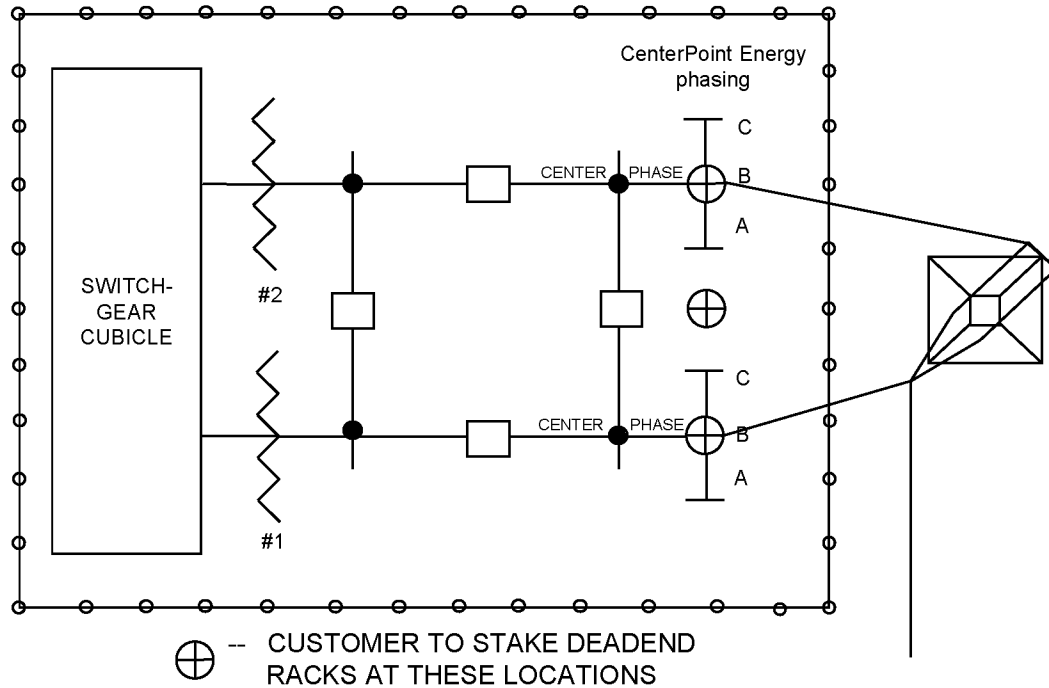
6. SITE CRITERIA

- 6.1. Site preparation and plot plan drawings shall be submitted to CenterPoint Energy for comment. Facilities that must be shown on this drawing include: dimensions of the customer-owned substation site, access roadways, space between the customer-owned substation and access roadways, and drainage features

						CENTERPOINT ENERGY		
						HOUSTON, TEXAS		
						WRITTEN	4/9/74	E. C. Reid
						CHECKED	4/10/74	L. G. Pond
						APPROVED	7/17/74	C. S. Kayser
17	9-2-2021	Update sections 4 & 11	Var	Var	GAC	Page 16 of 46		
16	8-3-2017	Update Sections 8 & 9 for Telecom	cwm	Var	MDB			
15	11-16-2015	Updates	Var	Var	DRS	SPECIFICATION NO. 007 231 14		
Ray	Gulf Wind-SC05A, 2211R-05 1700A and other updates		Var	Var	DRS			
NO	DATE	ITEMS REVISED	BY	CH	APP			

such as culverts, ditches and detention facilities (if required). Refer to Sub-Article 14.1.1 of this specification.

- 6.2. The customer shall stake the location of the dead-end structures according to Figure 10. The owner of the substation must submit drawings/documents specific to their substation to CenterPoint Energy in accordance with Article 14 of this specification. The drawings required by Sub-Articles 14.1.1 and 14.1.3 of this specification should show the customer's desired location for CenterPoint Energy phases. CenterPoint Energy will review this information and, based on the customer-owned substation location and CenterPoint Energy transmission line tower location, will determine if the customer's desired location for CenterPoint Energy phases can be achieved.



Staking Requirements for **Typical** Customer Substation

Figure 10

- 6.3. An all-weather access roadbed capable of supporting heavy construction vehicles shall be provided to the customer-owned substation. The areas within the customer-owned substations that need to support heavy vehicular traffic should conform to AASHTO H20 loading.
- 6.4. Access for CenterPoint Energy to attach its transmission line wires to the customer-owned substation dead-end structures shall be provided by either:
 - 6.4.1. A 25 ft. wide, leveled, and unobstructed access outside the customer-owned substation site from a main road to the CenterPoint Energy right-of-way and in front of the dead-end structures with substation fencing a maximum of 20 ft. from the attachment point of the dead-ends and a 13 ft. (minimum) wide gate for access into the customer-owned substation.

CENTERPOINT ENERGY HOUSTON, TEXAS		
WRITTEN	4/9/74	E. C. Reid
CHECKED	4/10/74	L. G. Pond
APPROVED	7/17/74	C. S. Kayser
Page 17 of 46		
SPECIFICATION NO. 007 231 14		

NO	DATE	ITEMS REVISED	BY	CH	APP
17	9-2-2021	Update sections 4 & 11	Var	Var	GAC
16	8-3-2017	Update Sections 8 & 9 for Telecom	cwm	Var	MDB
15	11-16-2015	Updates	Var	Var	DRS
Ray	Gulf Wind-2005A, 2010A, 2011A, 2012A, 2013A, 2014A, 2015A, 2016A, 2017A, 2018A, 2019A, 2020A, 2021A and other updates		Var	Var	DRS

- 6.4.2. A 25 ft. wide access inside the customer-owned substation from the substation access gate (20 ft. wide minimum) to the front of the dead-ends with substation fencing a minimum of 25 ft. from the attachment point.
- 6.5. Access and space shall be provided for installation and future replacement of high voltage equipment including metering instrument transformers.
- 6.6. The design elevation of the customer-owned substation site, equipment and control cubicle should take into consideration locating essential components above flood and storm surge levels.

7. HIGH VOLTAGE EQUIPMENT

7.1. The requirements for power transformers are as follows:

- 7.1.1. Power transformers shall have a delta winding for connection to the 138 kV system. Power transformers shall conform to IEEE C57.12.00. Power transformers should be equipped with sudden pressure and low oil level detection devices.
- 7.1.2. Power transformers shall have a minimum of two 600:5 A multi-ratio bushing current transformers (BCTs) per 138 kV bushing. Each BCT shall have IEEE C57.13 accuracy C400 or better. Where applications require additional BCTs and/or different ratios, CenterPoint Energy shall provide ratios to support equipment purchase schedule. The secondary resistance of power transformer BCTs shall not exceed 0.0025 ohms per turn. The power transformer BCT secondary rated continuous current shall be 10 A minimum. The power transformer BCT rating factor (R.F.) shall equal 2.0.
- 7.1.3. High-side surge arresters shall be provided in accordance with Sub-Article 7.4 of this specification.
- 7.1.4. The customer shall determine the need for, and if applicable, settings for a transformer tap changer for de-energized operation (no load tap) and automatic on-load tap changer. CenterPoint Energy recommends power transformers be equipped with an automatic on-load tap changer.

7.2. The requirements for circuit breakers are as follows:

- 7.2.1. Circuit breakers shall be of the three-pole, outdoor type, 138 kV nominal, in accordance with IEEE C37.06, C37.60, C37.04 and C37.40.
- 7.2.2. For a "full loop" customer-owned substation, "loop tap" substation, or a substation arranged for future "full loop" service, the 138 kV circuit breakers that are or will be in the substation "loop" shall have a continuous current rating of 4,000 A, an overload capability of 110 percent of the rated current for 2 hours and a rated isolated capacitor bank current switching capability of 600 A. For customer-owned substations connecting to four or more 138 kV CenterPoint Energy transmission lines, circuit breakers may be required to have a higher continuous rating. The three phase symmetrical short circuit current interrupting capability of all 138 kV circuit breakers shall be 63 kA rms symmetrical. The rated interrupting time of all 138 kV circuit breakers shall be

						CENTERPOINT ENERGY HOUSTON, TEXAS		
						WRITTEN	4/9/74	E. C. Reid
						CHECKED	4/10/74	L. G. Pond
						APPROVED	7/17/74	C. S. Kayser
Ray	Gulf Wind-SCFA, 2015	Change 1700A and other updates	Var	Var	DRS	Page 18 of 46		
NO	DATE	ITEMS REVISED	BY	CH	APP	SPECIFICATION NO. 007 231 14		

three cycles or less. In some applications, the installation of TRV shaping capacitors may be required in order to achieve the circuit breaker interrupting capability of 63 kA rms symmetrical for line faults. CenterPoint Energy shall determine the placement of TRV shaping capacitors, when required for line faults.

- 7.2.3. Each 138 kV circuit breaker shall be equipped with two 4000:5 A multi-ratio BCTs per 138 kV bushing. Each circuit breaker BCT shall have a relaying accuracy class of C800 on the 4000:5 A tap in accordance with IEEE C57.13. The secondary resistance of the circuit breaker BCT shall not exceed 0.0025 ohms per turn. The circuit breaker BCT secondary rated continuous current shall be 10 A minimum. The circuit breaker BCT rating factor (R.F.) shall equal 2.0.

For the replacement or addition of a 138 kV circuit breaker in an existing customer-owned substation that already has other 138 kV circuit breakers that do not have a continuous current rating of 4,000 A, the following applies to the replacement or addition circuit breaker (i.e., the following requirement is to accommodate interface of the 4000 A replacement or addition 138 kV circuit breaker with any existing circuit breakers that have 2000:5 multi-ratio BCT's in an existing substation while maintaining the design capability for 4000 ampere operation in the future). Each replacement or addition 138 kV circuit breaker shall be equipped with two 3000:5 A multi-ratio BCTs per 138 kV bushing. Each circuit breaker BCT shall have a relaying accuracy class of C800 on the 2000:5 A tap (equivalent to C1200 on the full ratio 3000:5) in accordance with IEEE C57.13. The secondary resistance of circuit breaker BCTs shall not exceed 0.0025 ohms per turn. Circuit breaker BCT secondary rated continuous current shall be 10 A minimum. Circuit breaker BCT rating factor (R.F.) shall equal 2.0.

- 7.2.4. Two trip circuits shall be provided with independent 125 V DC control circuits. If two trip coils operate a single armature, both coils shall be designed or marked in such a way as to prevent their being connected in a manner that would result in the circuit breaker not tripping in the event that both coils are energized simultaneously.
- 7.2.5. Trip circuit or close circuit DC current shall not exceed 15 A (instantaneous and steady state) for the circuit breaker trip or close circuit. If electromechanical protective relays with DC operated 'target and seal-in' units are used in the substation, then the circuit breaker trip circuit shall not draw less than 4 A DC current and a circuit breaker close circuit shall not draw less than 2 A DC current in order ensure reliable 'target and seal-in' unit operation.
- 7.2.6. The DC negative of a trip circuit shall not be fused or use a circuit breaker inside the circuit breaker control cabinet.
- 7.2.7. Surge suppression shall be provided on each trip and close coil. Reference CenterPoint Energy 007-400-02 Specification for Remote Telemetry of a Customer-Owned Facility.
- 7.2.8. The circuit breaker operating mechanism shall be both mechanically and electrically trip-free in any position. For oil circuit breakers, a latch check switch shall be provided.
- 7.2.9. Circuit breakers with air closing mechanisms shall have stored energy for at least 5 close-open operations. Circuit breakers with spring closing mechanisms shall have the spring charging motor circuit connected to a 125 V DC battery source utilizing a DC supply cable dedicated for this

						CENTERPOINT ENERGY HOUSTON, TEXAS		
						WRITTEN	4/9/74	E. C. Reid
						CHECKED	4/10/74	L. G. Pond
						APPROVED	7/17/74	C. S. Kayser
Ray	Gulf Wind-SCFA, 2211105 1700A and other updates	NO	DATE	ITEMS REVISED	BY	CH	APP	Page 19 of 46
						SPECIFICATION NO. 007 231 14		

purpose. Voltage rollover from AC to DC shall not be installed for the spring charging motor circuit for circuit breakers.

- 7.2.10. Gas circuit breakers shall have low SF6 gas pressure alarm and close inhibit contacts. The customer shall indicate on the relay and metering one-line diagram whether the low SF6 gas pressure wiring is set to 'BLOCK TRIP' or to 'AUTO TRIP' the circuit breaker.
- 7.2.11. Circuit breaker internal time delay circuitry for reclosing shall not be utilized. External time delayed automatic reclosing, when utilized, shall be wired/connected directly to the circuit breaker close circuit. External time delay for the circuit breaker closing circuit is to be provided by the automatic reclosing scheme.
- 7.2.12. The circuit breaker internal close and trip circuits shall not go through a 'local/remote' control switch in the circuit breaker. However, if a circuit breaker comes from the manufacturer with a 'local/remote' control switch installed in the circuit breaker, then the 'remote' contact of the control switch that is wired in series with the close and trip circuits must be 'shorted out' or 'bypassed'.

7.3. The requirements for air break switches are as follows:

- 7.3.1. Transmission line disconnect switches and all disconnect switches in the customer-owned substation 'loop' shall be of the outdoor, three pole, gang operated type rated 138 kV nominal, and shall have a continuous current rating of 4000 A , an overload capability of 110 percent of rated current for 2 hours and a rated minimum withstand capability of 164 kA peak. Disconnect switches that are not in the substation 'loop' (i.e., transformer high-side disconnect switch) may be rated for less than 4000 A continuous, but must have a rated minimum withstand capability of 164 kA peak. The switch air gap BIL shall coordinate with the BIL rating of the switch insulators. For customer-owned substations connecting to four or more CenterPoint Energy 138 kV transmission lines, contact CenterPoint Energy for the required rating of switches.
- 7.3.2. Transmission line disconnect switches are required for "full loop" substations or "loop tap" substations converted to "full loop".
- 7.3.3. "Loop tap" substations must be configured and designed with equipment to permit switching for the scheduled outage of either transmission line section without interrupting service to the customer's load. An interrupting device attached to a disconnect switch in a "loop tap" substation for transmission line load breaking, loop switching or line dropping is not acceptable.
- 7.3.4. CenterPoint Energy does not require any 138 kV disconnect switch to be motor operated.
- 7.3.5. CenterPoint Energy does not require any 138 kV disconnect switch auxiliary contacts except as indicated in Sub-Article 9.1.5 of this specification.
- 7.3.6. Grounding switches are not permitted on 138 kV equipment. A 'grounding stud' or fabricated attachment for the application of temporary grounding cables may be installed if desired.

7.4. The requirements for surge arresters are as follows:

						CENTERPOINT ENERGY HOUSTON, TEXAS		
						WRITTEN	4/9/74	E. C. Reid
						CHECKED	4/10/74	L. G. Pond
						APPROVED	7/17/74	C. S. Kayser
						Page 20 of 46		
Ray	17	9-2-2021	Update sections 4 & 11	Var	Var	GAC		
	16	8-3-2017	Update Sections 8 & 9 for Telecom	cwm	Var	MDB		
	15	11-16-2015	Updates	Var	Var	DRS		
	14	2-11-2015	Change to 4000A and other updates	Var	Var	DRS		
	NO	DATE	ITEMS REVISED	BY	CH	APP	SPECIFICATION NO. 007 231 14	

- 7.4.1. Surge arresters must be installed on 138 kV power transformers and in the substation on the incoming transmission line positions to protect substation 138 kV equipment including 138 kV coupling capacitors, line traps, instrument transformers, circuit breakers, etc.
- 7.4.2. All surge arresters shall be metal oxide type, 108 kV class minimum, with a minimum required maximum continuous over-voltage (MCOV) rating of 88 kV. The minimum required energy absorption capability is 7 kilojoules/ kV of MCOV rating. The surge arrester must have a minimum required pressure relief capability of 63 kA rms symmetrical (or short circuit current rating of 63 kA rms symmetrical). In addition to meeting the CenterPoint Energy minimum requirements, a surge arrester with well-designed directional pressure relief ports can provide a benefit. In the event of a surge arrester internal short circuit, a surge arrester with well-designed directional pressure relief vent ports, and with the vent ports pointed in the appropriate direction, can minimize the possibility that the ionized gas emitted from the surge arrester will propagate into a multiphase fault and can minimize the possibility of the ionized gas, and possibly other materials emitted from the surge arrester from causing damage to other equipment.
- 7.4.3. All 138 kV surge arresters must be connected with a copper bond wire from the bottom flange of the arrester to the substation ground mat. If the customer desires to allow for grading / leakage current monitoring, the surge arresters may be mounted on plates using insulated spacers and associated hardware. The insulated copper ground conductor from the bottom flange of the arrester must be isolated from any other ground until it passes the point where a tong ammeter reading can be taken. The independent, insulated ground leads should be adequately marked to indicate A, B, and C phases.

7.5. The requirements for coupling capacitors or CVTs and line tuners are as follows:

- 7.5.1. CenterPoint Energy shall specify vendor and vendor style number for the coupling capacitor or CVT devices that are used for transmission line protective relaying or CenterPoint Energy supervisory control and data acquisition (SCADA) remote telemetry monitoring of CenterPoint Energy transmission lines according to CenterPoint Energy provided bill of materials. CenterPoint Energy shall specify vendor and vendor style number for the line tuners that are used for transmission line protective relaying according to CenterPoint Energy provided bill of materials.
- 7.5.2. The line tuner must be mounted at a level suitable for making adjustments and tests while standing on the ground. The line tuner must be mounted at the base of the coupling capacitor stand in order to minimize the length of the carrier lead-in conductor connected between the line tuner and the coupling capacitor to reduce the stray capacitance and leakage to ground that will increase the losses of the tuner and affect the bandwidth.
- 7.5.3. The coupling capacitor or CVT shall not be used to structurally support the line trap. Refer to Sub-Article 7.6.3 of this specification.

7.6. The requirements for line traps are as follows:

						CENTERPOINT ENERGY HOUSTON, TEXAS		
						WRITTEN	4/9/74	E. C. Reid
						CHECKED	4/10/74	L. G. Pond
						APPROVED	7/17/74	C. S. Kayser
						Page 21 of 46		
Ray	17	9-2-2021	Update sections 4 & 11	Var	Var	GAC		
	16	8-3-2017	Update Sections 8 & 9 for Telecom	cwm	Var	MDB		
	15	11-16-2015	Updates	Var	Var	DRS		
			Gulf Wind-SCADA, Change 05 1700A and other updates	Var	Var	DRS		
	NO	DATE	ITEMS REVISED	BY	CH	APP	SPECIFICATION NO. 007 231 14	

- 7.6.1. CenterPoint Energy shall specify vendor and vendor style number for line trap devices that are used for transmission line protective relaying according to CenterPoint Energy provided bill of materials.
- 7.6.2. The line trap shall have a continuous current rating of 4,000 A, and an overload capability of 110 percent of the rated current for 2 hours.
- 7.6.3. The line trap shall not be structurally supported by a coupling capacitor or CVT. Refer to Sub-Article 7.5.3 of this specification.

8. CONTROL CUBICLE

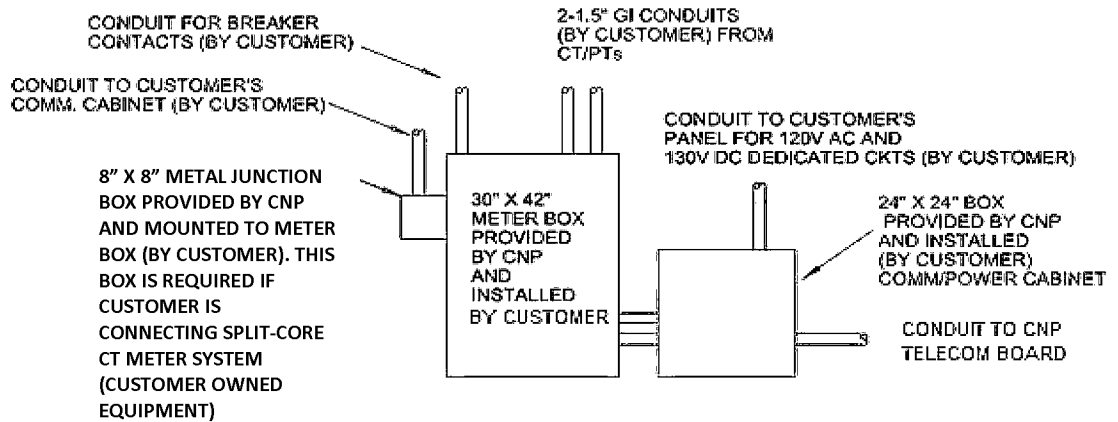
- 8.1. The control cubicle shall be a permanent, weatherproof structure constructed on a concrete foundation and scheduled for completion well in advance of the remainder of the substation to allow for adequate check out and testing. The ambient conditions inside the control cubicle shall not exceed 32°C (90°F) and 85% relative humidity. Adequate lighting shall be provided.
- 8.2. The requirements for telephone circuits are as follows:
- 8.2.1 The customer is responsible for arrangements with the telephone service provider to establish a direct dial telephone land line to the customer substation control cubicle.
- 8.2.2 Refer to CenterPoint Energy 007-400-02 Specification for Remote Telemetry of a Customer-Owned Facility for details pertaining to required communications circuits (i.e., customer provided voice communication and CenterPoint Energy provided telemetry communications for SCADA, metering, etc.).
- 8.3. Wall space for metering boxes shall be provided in accordance with Sub-Article 9.1.3.1 of this specification.
- 8.4. If CenterPoint Energy has specified that transmission line protective relaying with power line carrier and/or fiber optic communication is utilized, power line carrier transmitter/receiver sets shall be procured by the customer according to CenterPoint Energy provided bill of material and/or the customer will provide wall space or floor space for a CenterPoint Energy provided fiber optic cable distribution box.
- 8.5. The customer shall provide space for the CenterPoint Energy remote telemetry equipment that will be installed in accordance with Sub-Article 12.1 of this specification.
- 8.6. A separate 120 V AC, 20 A circuit shall be provided to each of the following: (a) one of the metering boxes, (b) the power line carrier equipment location, and (c) the SCADA RTU cabinet (see CenterPoint Energy 007-400-02 Specification for Remote Telemetry of a Customer-Owned Facility).
- 8.7. One 120 V AC, 20 A outlet for protective relay testing equipment shall be located near the transmission line protective relays in the substation control cubicle.

						CENTERPOINT ENERGY HOUSTON, TEXAS		
						WRITTEN	4/9/74	E. C. Reid
						CHECKED	4/10/74	L. G. Pond
						APPROVED	7/17/74	C. S. Kayser
						Page 22 of 46		
Ray	17	9-2-2021	Update sections 4 & 11	Var	Var	GAC		
	16	8-3-2017	Update Sections 8 & 9 for Telecom	cwm	Var	MDB		
	15	11-16-2015	Updates	Var	Var	DRS		
	14	11-16-2015	Change of 1700A and other updates	Var	Var	DRS		
	NO	DATE	ITEMS REVISED	BY	CH	APP	SPECIFICATION NO. 007 231 14	

- 8.8. A separate 130 V DC, 15 A circuit shall be provided to each of the following: (a) one of the metering boxes, and (b) the SCADA RTU cabinet (see CenterPoint Energy 007-400-02 Specification for Remote Telemetry of a Customer-Owned Facility).
- 8.9. If CenterPoint Energy transmission line fault location traveling wave system (TWS) equipment is to be installed, CenterPoint Energy will provide requirements.

9. METERING EQUIPMENT

- 9.1. The requirements for metering are as follows:
 - 9.1.1. Any part of the metering system that is installed by the customer or his agent shall conform to ANSI C12.1 at minimum, unless otherwise specified by CenterPoint Energy.
 - 9.1.2. The customer shall submit a one-line diagram of the proposed substation configuration to CenterPoint Energy in accordance with Article 14 of this specification. CenterPoint Energy will designate on the one-line diagram the location of all metering instrument transformers (including, without limitation, quantity, transformation ratios, voltage class - high-side or low-side and ratings). The metering instrument transformers shall be connected to the transformer low-side or to the 138 kV substation bus by the customer as specified by CenterPoint Energy.
 - 9.1.3. Metering boxes shall be located inside an environmentally controlled cubicle.
 - 9.1.3.1. Each metering box is 30 inches wide, 42 inches high, 12 inches deep, wall mounted and approximately 36 inch from the floor. Wall space 3.0 ft. wide and 8.0 ft. high measured from the floor with 4.0 ft. (from wall) front clearance shall be provided for installation and maintenance of each metering box as illustrated in **Figure 11**. Metering boxes will be furnished by CenterPoint Energy and installed by the customer. The number of metering boxes will be determined by the metering scheme to be used.



Typical Layout of Meter Boxes

Figure 11

CENTERPOINT ENERGY HOUSTON, TEXAS		
WRITTEN	4/9/74	E. C. Reid
CHECKED	4/10/74	L. G. Pond
APPROVED	7/17/74	C. S. Kayser
Page 23 of 46		
SPECIFICATION NO. 007 231 14		

Ray	17	9-2-2021	Update sections 4 & 11	Var	Var	GAC
	16	8-3-2017	Update Sections 8 & 9 for Telecom	cwm	Var	MDB
	15	11-16-2015	Updates	Var	Var	DRS
	14	11-16-2015	Change to 1700A and other updates	Var	Var	DRS
	NO	DATE	ITEMS REVISED	BY	CH	APP

- 9.1.3.2. A customer requesting metering data shall provide all conduits and wiring necessary to connect to a meter comm/power box provided by CenterPoint Energy and mounted on the metering installation.
- 9.1.3.3. The customer shall provide a conduit from the CNP telecom board to the metering comm/power box.
- 9.1.4. CenterPoint Energy personnel will make all meter connections. For metering equipment details, consult the CenterPoint Energy project representative.
- 9.1.5. When high-side metering is used in a "full loop" alternative 'c' or alternative 'd' type substation (see Figure 4 and Figure 5), the customer shall provide and wire two auxiliary '52a' contacts from the circuit breaker between the two transmission lines ('A' circuit breaker) and a single auxiliary '52a' contact for each of the other two transmission line circuit breakers ('B' and 'C' circuit breakers) to the CenterPoint Energy high voltage metering box. Also, in a "full loop" alternative 'c' type substation (see Figure 4) with two transformer substation, two auxiliary '89a' contacts shall be provided on the disconnect switch between transformers and wired to the CenterPoint Energy high voltage metering box. When high-side metering is used in a "full loop" alternative 'e' type substation (see Figure 6), the customer shall provide and wire a single auxiliary '52a' contact for each of the other two transmission line circuit breakers ('A', 'B', 'C' and 'D' circuit breakers) to the CenterPoint Energy high voltage metering box. When high-side metering is used in a "loop tap" alternative 'b' type substation (see Figure 3), the customer shall provide two auxiliary '89a' contacts from the disconnect switch located in the substation bus between the transmission line connections and a single auxiliary '52a' contact from each of the circuit breakers. The customer shall provide and install cable from these contacts to the metering location (routed via the protective relay panels) for 'rollover' of the metering potential to a second set of potential transformers.
- 9.1.6. When low-side metering is utilized, as determined by CenterPoint Energy, customer shall provide and install 138 kV CVT devices in accordance with Sub-Article 7.5 of this specification.
- 9.2. The requirements for switchgear mounted metering instrument transformers are as follows:
- 9.2.1. Where low-side metering is used, as determined by CenterPoint Energy, the customer shall install CenterPoint Energy specified metering instrument transformers in their switchgear.
- 9.2.1.1. The customer shall purchase and install the CenterPoint Energy specified metering instrument transformers.
- 9.2.1.2. Original certified test data shall be provided to CenterPoint Energy for each metering instrument transformer installed.
- 9.2.2. Metering current transformers shall be located in the incoming main breaker cubicle. The metering current transformers shall be installed by the customer.
- 9.2.3. Metering potential transformers shall be located in roll-out boxes. The potential transformers shall be installed by the customer.

						CENTERPOINT ENERGY		
						HOUSTON, TEXAS		
						WRITTEN	4/9/74	E. C. Reid
						CHECKED	4/10/74	L. G. Pond
						APPROVED	7/17/74	C. S. Kayser
						Page 24 of 46		
						SPECIFICATION NO. 007 231 14		
17	9-2-2021	Update sections 4 & 11	Var	Var	GAC			
16	8-3-2017	Update Sections 8 & 9 for Telecom	cwm	Var	MDB			
15	11-16-2015	Updates	Var	Var	DRS			
Ray	Gulf Wind-SCFA, 2019-05-17	2019-05-17 00A and other updates	Var	Var	DRS			
NO	DATE	ITEMS REVISED	BY	CH	APP			

9.2.3.1. The secondary windings shall be used only for CenterPoint Energy metering.

9.2.3.2. Potential transformers shall be equipped with 1 A, current limiting primary fuses.

9.2.4. The customer shall install a 1.5 in. rigid galvanized steel conduit from each instrument transformer cubicle to the meter box.

9.2.5. CenterPoint Energy shall supply cable for all metering instrument transformer secondary connections. The customer shall pull the CenterPoint Energy provided cable. CenterPoint Energy shall make all metering instrument transformer secondary connections.

9.2.6. The customer shall supply copper ground wire from the customer's switchgear to the CenterPoint Energy meter box.

9.3. The requirements for 138 kV metering instrument transformers are as follows:

9.3.1. When 138 kV metering is used, CenterPoint Energy will furnish all 138 kV metering instrument transformers (i.e., separate 138 kV 'free-standing' current and potential transformers) required for CenterPoint Energy revenue metering or ERCOT Polled Settlement metering ("EPS").

9.3.2. CenterPoint Energy will mount the instrument transformers on stands provided by the customer in accordance with Sub-Article 5.6 of this specification. The substation layout and location of the 138 kV metering instrument transformers shall incorporate the requirement of vehicle access up to the instrument transformers for installation, testing and future replacement (i.e., vehicle access not obstructed by substation bus, cable tray, etc.). The customer shall furnish flexible connections from the substation bus to the instrument transformers with NEMA CC 1 standard four-hole terminals (0.5625 in. diameter holes on 1.75 in. centers). CenterPoint Energy personnel will bolt the flexible connections to the instrument transformers.

9.3.3. The customer shall utilize rigid galvanized steel conduit, flexible metallic conduit and pull boxes, including pull string, for the cables/conductors from the metering instrument transformers to the metering box location.

9.3.3.1. For each set of current or potential transformer stands, 1.50 in. rigid galvanized steel conduit shall be used to connect the individual instrument transformers to a common junction box for this set of instrument transformers (i.e., one common junction box for each set of current or potential transformer stands) located on or near the base of one of the instrument transformer stands. The 1.50 in. conduit shall terminate within 12 in. from the top of each instrument transformer stand. A 2.00 in. rigid galvanized steel conduit shall be used from the each common junction box located at the base of one of the instrument transformer stands to the metering box.

9.3.3.2. All 2.00 in. rigid galvanized steel conduit shall terminate at the base of the primary metering box. No more than four conduits are to be terminated in a metering box. Contact CenterPoint Energy if additional conduits are required.

						CENTERPOINT ENERGY HOUSTON, TEXAS		
						WRITTEN	4/9/74	E. C. Reid
						CHECKED	4/10/74	L. G. Pond
						APPROVED	7/17/74	C. S. Kayser
						Page 25 of 46		
Ray	17	9-2-2021	Update sections 4 & 11	Var	Var	GAC		
	16	8-3-2017	Update Sections 8 & 9 for Telecom	cwm	Var	MDB		
	15	11-16-2015	Updates	Var	Var	DRS		
	14	11-16-2015	Change to 1700A and other updates	Var	Var	DRS		
	NO	DATE	ITEMS REVISED	BY	CH	APP	SPECIFICATION NO. 007 231 14	

- 9.3.3.3. Flexible metallic conduit shall be used as needed to complete the installation to the instrument transformers, common junction boxes, and the metering box(es).
- 9.3.4. Potential transformers for revenue metering located in the 138 kV substation yard shall be furnished and installed by CenterPoint Energy on instrument transformer stands provided by the customer. The potential transformers will be rated 80,500/115-67.08 V for use on 138 kV grounded neutral system in accordance with IEEE C57.13.
- 9.3.4.1. The potential transformers will have three secondary windings (i.e., "X", "Y", and "Z"). The "X" and "Z" windings will be used for transmission line protective relaying, SCADA and the customer's equipment. The "Y" winding will be used exclusively for CenterPoint Energy metering.
- 9.3.4.2. A minimum 16 inches wide, 14 inches high, 6 inches deep potential transformer common junction box and secondary fuses shall be provided and installed by the customer and located at the base of one of the potential transformer stands. Each secondary winding shall be separately fused at the potential transformer junction box to provide circuit isolation and short circuit protection; except that neutrals shall not be fused (brass or copper dummy fuses required).
- 9.3.4.3. CenterPoint Energy shall supply cable/conductors for the potential transformers "Y" winding secondary connections. The customer shall supply cable/conductors for the potential transformers "X" and "Z" windings secondary connections. The customer shall pull the CenterPoint Energy provided cable/conductors and customer supplied cable/conductors. CenterPoint Energy shall make the potential transformers "Y" winding secondary connections. The customer shall make the potential transformers "X" and "Z" windings secondary connections. The potential transformer cables/conductors shall be connected as shown on CenterPoint Energy drawing 581-500-01 138 kV Potential Transformer Schematic and Wiring Diagram.
- 9.3.4.4. The potential transformer primary shall be wye connected with a solid ground connection at the potential transformer location. The potential transformer secondary windings shall be wye connected with one neutral conductor per set of "X" and "Z" windings carried to the transmission line protective relay panel and another neutral conductor for the "Y" winding will be carried to the meter box, as shown on CenterPoint Energy Drawing 581-500-01 138 kV Potential Transformer Schematic and Wiring Diagram. These neutral conductors shall be grounded at the transmission line protective relay panel and meter box only.
- 9.3.4.5. If any 138 kV potential transformer "X" or "Z" winding of any phase is not used for any relaying, SCADA or customer's equipment, the secondary "3" terminal of any unused winding must connected to a conductor that is grounded at a panel in the control cubicle.
- 9.3.5. Metering current transformers located in the 138 kV substation yard shall be furnished and installed by CenterPoint Energy on instrument transformer stands provided by customer.

						CENTERPOINT ENERGY HOUSTON, TEXAS		
						WRITTEN	4/9/74	E. C. Reid
						CHECKED	4/10/74	L. G. Pond
						APPROVED	7/17/74	C. S. Kayser
						Page 26 of 46		
Ray	17	9-2-2021	Update sections 4 & 11	Var	Var	GAC		
	16	8-3-2017	Update Sections 8 & 9 for Telecom	cwm	Var	MDB		
	15	11-16-2015	Updates	Var	Var	DRS		
			Gulf Wind-SCADA, ZINR-05 1700A and other updates	Var	Var	DRS		
		NO	DATE	ITEMS REVISED	BY	CH	APP	SPECIFICATION NO. 007 231 14

9.3.5.1. CenterPoint Energy shall supply cable for the metering current transformer's secondary connections. The customer shall pull the CenterPoint Energy provided cable. CenterPoint Energy shall make the metering current transformer's secondary connections.

9.3.5.2. A minimum 16 inches wide, 14 inches high, 6 inches deep current transformer common junction box shall be provided and installed by the customer and located at the base of one of the current transformer stands.

9.3.6. The customer shall provide a copper bond wire from the ground mat to the case of each instrument transformer. The wire shall be sized equal to the ground mat. CenterPoint Energy will terminate and connect the wire at the instrument transformer case.

10. FUSING AND CONNECTION OF PROTECTION AND CONTROL AND METERING CIRCUITS

10.1. Mersen Ferraz Shawmut type A2Y, A2K or A2D or Littelfuse type KLNR fuses shall be used for fusing of the 138 kV potential transformers secondary relaying and metering circuits of less than 250 V AC as follows:

10.1.1. 138 kV potential transformers secondary "X" winding and "Z" winding shall be fused with 30 A fuses at the potential transformer junction box in the yard except that neutrals shall not be fused (brass or copper dummy fuses required).

10.1.2. 138 kV potential transformers secondary "Y" windings shall be fused with 60 A fuses at the potential transformer junction box in the yard except that neutrals shall not be fused (brass or copper dummy fuses required).

10.1.3. 15 A fuses shall be used for protective relaying potential branch circuits.

10.1.4. 6 A fuses shall be used for instrumentation potential branch circuits.

10.2. Mersen Ferraz Shawmut type A2Y, A2K or A2D or Littelfuse type KLNR fuses shall be used for fusing of 138 kV coupling CVT secondary relaying and instrumentation circuits of less than 250 V AC as follows:

10.2.1. CVT secondary windings shall be fused with 6 A secondary fuses at the CVT junction box in the yard except that neutrals shall not be fused.

10.2.2. 3 A fuses shall be used for protective relaying potential branch circuits.

10.3. Mersen Ferraz Shawmut type A2Y, A2K or A2D or Littelfuse type KLNR fuses shall be used for fusing of relaying DC circuits of less than 250 V DC as follows:

10.3.1. The trip circuit connection from the control cubicle panel to each 138 kV breaker trip coil shall be fused with a 15 A panel mounted fuse located on the appropriate control cubicle panel.

10.3.2. 30 A fuses shall be used for the CenterPoint Energy SCADA control positive.

						CENTERPOINT ENERGY		
						HOUSTON, TEXAS		
						WRITTEN	4/9/74	E. C. Reid
						CHECKED	4/10/74	L. G. Pond
						APPROVED	7/17/74	C. S. Kayser
17	9-2-2021	Update sections 4 & 11	Var	Var	GAC	Page 27 of 46		
16	8-3-2017	Update Sections 8 & 9 for Telecom	cwm	Var	MDB			
15	11-16-2015	Updates	Var	Var	DRS	SPECIFICATION NO. 007 231 14		
Ray	Gulf Wind-SCADA, 2017-05-17	KLNR 05 1700A and other updates	Var	Var	DRS			
NO	DATE	ITEMS REVISED	BY	CH	APP			

10.4. The voltage drop from the control cubicle to the trip circuit at the circuit breakers shall not exceed 10% of rated battery voltage under normal expected operating conditions.

10.4.1. With outdoor circuit breakers and indoor protective relay and control panels, a routing method herein called "radial", shall be used since the dc circuitry to the circuit breakers radiates outward from the control cubicle. Routing of the conductors is from the dc supply to the protective relay and control panels or switchboards and then on to the circuit breakers. Positive and negative conductors are carefully routed together so that sudden changes in current, such as those from tripping a circuit breaker, do not result in large magnetic coupling to other control and measuring conductors. The effects of external magnetic fields tend to cancel when the "go" and "return" conductors are in close proximity. All wires of a circuit should be contained in the same cable so that all are affected similarly by any inductive coupling.

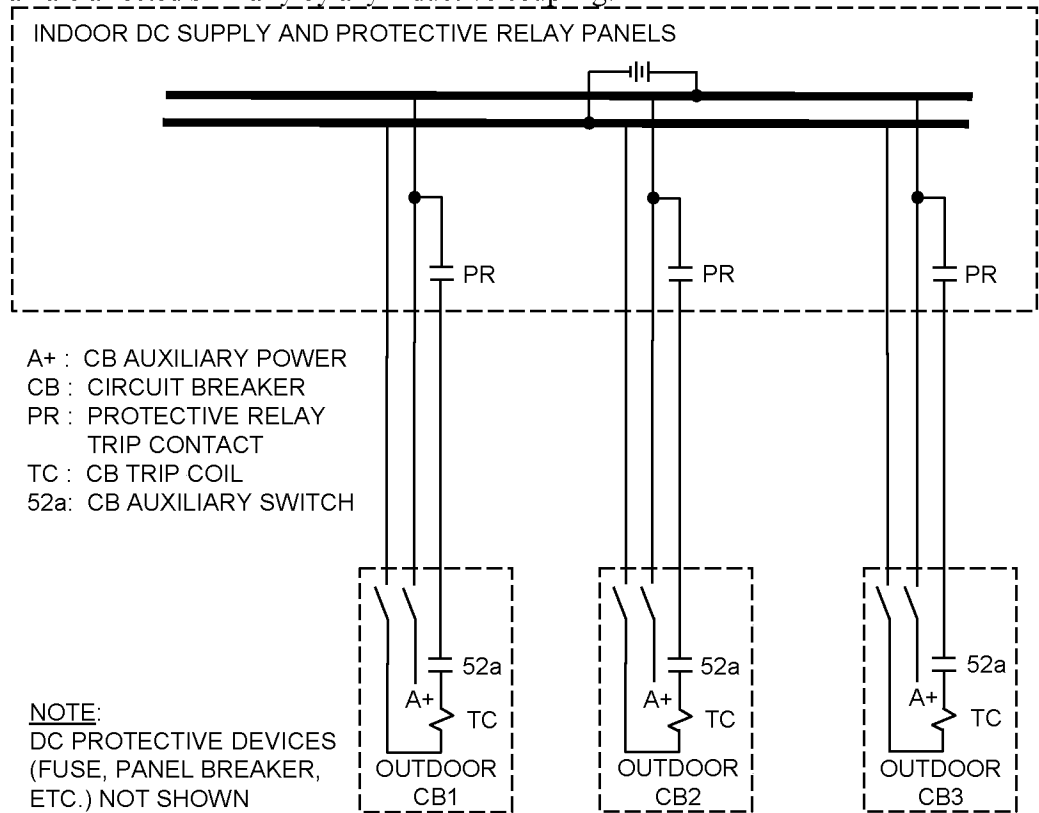


Figure 12

11. PROTECTIVE RELAYING FOR HIGH VOLTAGE (138 KV)

11.1. The customer will procure and own all the protective relays in the substation. A "full loop" substation configuration requires 138 kV transmission line protective relaying (including transmission line protective relay communication channels), 138 kV transmission line automatic reclosing and local breaker failure relaying for all 138 kV circuit breakers. CenterPoint Energy will specify in a bill of materials, as indicated in Sub-Article 11.3 of this specification, the protective relay style numbers for the

CENTERPOINT ENERGY HOUSTON, TEXAS		
WRITTEN	4/9/74	E. C. Reid
CHECKED	4/10/74	L. G. Pond
APPROVED	7/17/74	C. S. Kayser
Page 28 of 46		
SPECIFICATION NO. 007 231 14		

NO	DATE	ITEMS REVISED	BY	CH	APP
17	9-2-2021	Update sections 4 & 11	Var	Var	GAC
16	8-3-2017	Update Sections 8 & 9 for Telecom	cwm	Var	MDB
15	11-16-2015	Updates	Var	Var	DRS
Ray	Gulf Wind-2015A, 2016A, 2017A, 2018A, 2019A, 2020A and other updates		Var	Var	DRS

multifunction (i.e., 138 kV transmission line protective relaying, circuit breaker automatic reclosing and local breaker failure relaying) microprocessor 138 kV transmission line protective relays. If the customer desires to install single function protective relays that are dedicated for breaker failure relaying then the customer must consult CenterPoint Energy during the development of the relaying and metering one line diagram regarding which relays CenterPoint Energy personnel will calculate relay settings, apply the settings and test. CenterPoint Energy will specify in a bill of materials, as indicated in Sub-Article 11.3 of this specification, the manufacturer and protective relay type for the single function protective relays that are dedicated for breaker failure relaying. CenterPoint Energy will calculate and implement relay settings for customer-owned 138 kV transmission line protective relays, for single function protective relays that are dedicated for breaker failure relaying for only the circuit breakers that switch the CenterPoint Energy transmission lines and for customer-owned relays installed to prevent back-energizing CenterPoint Energy's transmission system from generation installed on the low-side of customer power transformers. CenterPoint Energy will not consider customer requests for programming additional items in the transmission line protective relay for customers use (i.e., relay elements, inputs or outputs, etc.). The customer may request information be exported from the transmission line protective relay that are CenterPoint Energy's standard programming of the relay (i.e., metering values, events, relay elements, inputs or outputs, etc.) via a communication port to the CenterPoint Energy SCADA RTU. On a case-by-case basis, CenterPoint Energy may issue settings for other customer-owned relays. In accordance with Sub-Articles 11.2 and 11.3, and 11.5 of this specification, the customer will propose 138 kV bus, 138 kV transformer protective relay schemes and, for "full loop" substation configurations, breaker failure relaying for all circuit breakers that do not switch the CenterPoint Energy transmission lines. The customer shall submit to CenterPoint Energy the customer calculated relay settings for, and allow CenterPoint Energy to observe the functional testing of, the 138 kV bus and 138 kV transformer protective relay schemes and breaker failure relaying for all circuit breakers that do not switch the CenterPoint Energy transmission lines.

- 11.2. Protective relaying for elements that compose the 138 kV facilities (i.e., 138 kV transmission lines, 138 kV buses, 138 kV power transformers, etc.) shall consist of two independent schemes for the protection of each element. The protective relays associated with the first scheme shall be connected to a different set of current transformers than the relays associated with the second scheme. The DC branch circuit associated with one relaying scheme (i.e., relay power supply, input, outputs, etc.) shall be a different DC branch circuit than the DC branch circuit associated with the second relaying scheme (i.e., independent DC branch circuit). Each of the two schemes shall energize both trip coils of a circuit breaker using appropriate DC separation and separate output contacts.
- 11.3. To ensure coordination with other transmission system protective relaying for a "full loop" substation configuration, CenterPoint Energy will furnish typical AC and DC schematics and a minimum required bill of materials for the protective relay style numbers for the multifunction (i.e., 138 kV transmission line protective relaying, circuit breaker automatic reclosing and local breaker failure relaying) microprocessor 138 kV transmission line protective relays including protective relay communication channel equipment. The customer shall indicate the CenterPoint Energy specified transmission line protective relaying schemes and proposed relaying schemes for each 138 kV bus (including 138 kV transformer high-side bus) and transformer protection on a substation relaying and metering one line diagram. Once CenterPoint Energy has reviewed these schemes, the customer shall submit the appropriate relaying drawings and customer's bill of materials to CenterPoint Energy for functional review. After these drawings and the bill of materials are reviewed by CenterPoint Energy, the customer shall order the appropriate equipment and install these schemes. CenterPoint Energy personnel will

						CENTERPOINT ENERGY		
						HOUSTON, TEXAS		
						WRITTEN	4/9/74	E. C. Reid
						CHECKED	4/10/74	L. G. Pond
						APPROVED	7/17/74	C. S. Kayser
17	9-2-2021	Update sections 4 & 11	Var	Var	GAC	Page 29 of 46		
16	8-3-2017	Update Sections 8 & 9 for Telecom	cwm	Var	MDB			
15	11-16-2015	Updates	Var	Var	DRS	SPECIFICATION NO. 007 231 14		
Ray	Gulf Wind-SCFA, 2014-05-17	Change 1700A and other updates	Var	Var	DRS			
	NO	DATE	BY	CH	APP			

calculate set points for the multifunction microprocessor 138 kV transmission line protective relays, apply the settings and test the transmission line protection relays after the customer has completed point-to-point wiring checks of protective relaying and control panels and verified protective relaying control circuits by performing functional trip and close testing as described in Article 16 of this specification. The customer shall calculate set points for the 138 kV bus and transformer protection relays and submit this information to CenterPoint Energy for review. After CenterPoint Energy has reviewed the 138 kV bus and transformer protection set points, the customer will apply the settings and test the relays after the customer has completed point-to-point wiring checks of protective relaying and control panels and verified protective relaying control circuits by performing functional trip and close testing as described in Article 16 of this specification. **IT SHALL BE THE CUSTOMER'S RESPONSIBILITY TO INSTALL ALL WIRING AND PERFORM ALL POINT-TO-POINT WIRING CHECKS AND CORRECT ANY WIRING ERRORS.**

- 11.4. A 'Sync Panel' is required only for a "full loop" substation configuration. The Sync Panel consists of a synchroscope, a voltmeter and three sync lights. The 'Sync Panel' typically consists of a small subpanel mounted on hinges to one of the substation protection and control panels and must be visible from the location of the 138 kV circuit breaker control switches. Other arrangements may be acceptable (i.e., 'Sync Panel' components mounted on the same protection and control panel that all of the 138 kV circuit breaker control switches are mounted on). CenterPoint Energy will specify the 'Sync Panel' requirements in a bill of materials referenced in Sub-Article 14.1.2 of this specification.
- 11.5. For "full loop" substations equipped with transmission line protective relaying, the current carrying capability of the components in the protective relaying schemes (relay devices, auxiliary current transformers, monitoring devices, current test switches, terminal connectors, switchboard panel wiring, cable, etc.) shall meet a minimum continuous secondary current rating equivalent to a primary continuous ampere rating of 4,000A and 2-hr emergency ampere rating of 4,400A, unless otherwise specified by CenterPoint Energy. For substations with four or more 138kV transmission lines, the continuous and 2-hr emergency ratings of this equipment may be required to be greater than these values.
- 11.6. The following are minimum requirements for 138 kV bus and transformer protection:
- 11.6.1. Bus protection shall include two independent instantaneous bus differential protective relays (device function 87). A power transformer connected to a bus position will utilize the same two sets of power transformer high-side BCTs (Sub-Article 7.1.2) for both the bus differential protective relays and the power transformer protective relays (Sub-Article 11.6.2). For a Figure 2 substation configuration, instantaneous overcurrent protective relays (device function 50) may be utilized for protection of the bus between the 138 kV circuit breaker and the 138 kV transformer high-side.
- 11.6.2. Each power transformer shall be protected by two protective relays. As a minimum, one of the power transformer protective relays shall be a transformer differential relay (device function 87T), which shall be connected to one of the two sets of power transformer high-side BCTs and the other power transformer protective relay shall have instantaneous and time overcurrent relay (device function 50/51) which shall be connected to a different set of power transformer high-side BCTs than the transformer differential relay. If two multifunction microprocessor current differential protective relays are utilized, CenterPoint Energy does not object to the

						CENTERPOINT ENERGY HOUSTON, TEXAS		
						WRITTEN	4/9/74	E. C. Reid
						CHECKED	4/10/74	L. G. Pond
						APPROVED	7/17/74	C. S. Kayser
						Page 30 of 46		
Ray	17	9-2-2021	Update sections 4 & 11	Var	Var	GAC		
	16	8-3-2017	Update Sections 8 & 9 for Telecom	cwm	Var	MDB		
	15	11-16-2015	Updates	Var	Var	DRS		
	14	2-11-2015	Change 1700A and other updates	Var	Var	DRS		
	NO	DATE	ITEMS REVISED	BY	CH	APP	SPECIFICATION NO. 007 231 14	

implementation of both a transformer differential function and a transformer instantaneous/time overcurrent function in each of the two protective relays.

- 11.6.3. The three-line AC schematic drawing(s) showing bus differential protective relay connections and transformer protective relay connections should clearly indicate polarity markings on all current transformers and all protective relay current inputs.
- 11.6.4. Power transformer sudden pressure relay and oil level device(s) should be connected for alarming and tripping. The sudden pressure relay and oil level device(s) should be connected to a different, independent DC branch circuit than the transformer differential relay.
- 11.6.5. If auxiliary relays (device function 94) or lockout relays (device function 86) are used for tripping, then two independent relays are required for each tripping zone. The auxiliary relays or lockout relays should be connected to different, independent DC branch circuits.
- 11.7. All 138 kV circuit breakers connected to a new 138 kV "full loop" substation are required to incorporate local breaker failure relaying. Local breaker failure relaying may be required for each 138 kV circuit breaker at existing substations when deemed necessary by CenterPoint Energy. When practical, the protective relay performing the breaker failure function shall directly trip all appropriate 138 kV circuit breakers (i.e., not utilize an auxiliary relay, a lockout relay or another protection relay to trip the appropriate 138 kV circuit breakers). CenterPoint Energy personnel will calculate set points, apply the settings and test the breaker failure scheme if it is incorporated in transmission line protective relays. If the customer desires to install single function protective relays that are dedicated for breaker failure relaying, then the customer must consult CenterPoint Energy during the development of the relaying and metering one line diagram (described in Sub-Article 14.1.2 of this specification) regarding which relays CenterPoint Energy personnel will calculate set points, apply the settings and test. CenterPoint Energy personnel will calculate set points, apply the settings and test the breaker failure scheme if it is incorporated in single function protective relays that are dedicated for breaker failure relaying but only for the circuit breakers that switch the CenterPoint Energy transmission lines. Testing of the breaker failure scheme in relays set by CenterPoint Energy will occur after the customer has completed the installation and has satisfactorily performed the system operational tests provided in Article 16 of this specification. **IT SHALL BE THE CUSTOMER'S RESPONSIBILITY TO INSTALL ALL WIRING AND PERFORM ALL POINT-TO-POINT WIRING CHECKS AND CORRECT ANY WIRING ERRORS.**
- 11.8. The following are specified for connections pertaining to protection and control cables:
- 11.8.1. Connections from one panel to another panel should be made from the terminal blocks on one panel to terminal blocks on the other panel (rather than directly from a device on one panel to a device on a different panel).
- 11.8.2. Protection and control cables should be color-coded and clearly marked to facilitate wire checking and troubleshooting.
- 11.8.3. Current transformer secondary cables shall be grounded only at the relay panels on the non-polarity side of the wye-connected current transformer.

						CENTERPOINT ENERGY HOUSTON, TEXAS		
						WRITTEN	4/9/74	E. C. Reid
						CHECKED	4/10/74	L. G. Pond
						APPROVED	7/17/74	C. S. Kayser
						Page 31 of 46		
Ray	17	9-2-2021	Update sections 4 & 11	Var	Var	GAC		
	16	8-3-2017	Update Sections 8 & 9 for Telecom	cwm	Var	MDB		
	15	11-16-2015	Updates	Var	Var	DRS		
			Gulf Wind-SCFA, Change 1700A and other updates	Var	Var	DRS		
	NO	DATE	ITEMS REVISED	BY	CH	APP	SPECIFICATION NO. 007 231 14	

- 11.9. CenterPoint Energy encourages the use of sequence of events recorders (SERs) and digital fault recorders (DFRs). The application of these systems involves trade-offs between the desire to monitor and record as much information as possible and the need to minimize the number of devices in protective relaying circuits to ensure reliable operation. Any customer planning to install one of these systems is encouraged to discuss their application philosophy with CenterPoint Energy early in the project and to show these devices in the appropriate relaying and SCADA AC and DC schematics when those drawings are submitted for CenterPoint Energy review.
- 11.10. Customer-owned Intelligent Electronic Devices (IEDs) with settings maintained by CenterPoint Energy (i.e. protective relays associated with CenterPoint Energy transmission network) are not allowed to be monitored directly by the customer. The data from these IEDs can be provided to the customer from a serial port on the CenterPoint Energy SCADA RTU.
- 11.10.1. The customer is permitted to connect directly (routable or non-routable communications) to IEDs with settings not maintained by CenterPoint Energy including SCADA electronic meters and microprocessor relays.
- 11.11. The following are specified for protective relay communication channels:
- 11.11.1. If the transmission line protective relaying utilized requires power line carrier communication, the power line carrier transmitter/receiver sets shall be located inside the substation control cubicle. The associated power line carrier coaxial cable utilized for making the connection from the substation control cubicle to the line tuner located near the 138 kV coupling capacitor shall be type RG-8/U, 11 AWG, stranded (7/19) bare copper, polyethylene dielectric, 50 ohm nominal impedance, with polyethylene outer jacket. (Note: If an alternate cable is used, an outer jacket with "Excellent" or "Outstanding" water resistance characteristic is required – PVC jacket is not acceptable). The line tuner requires separate mounting at the base of the coupling capacitor stand. A single conductor must be run as directly as possible between this line tuner and the coupling capacitor base housing. The single conductor must be 4 AWG stranded, 5 kV, non-shielded, XLP insulation. The single conductor must be mounted on insulators and fed through bushings at each end. The single conductor insulation should be unbroken between its ends to maintain low leakage. The single conductor must not be directly up against or touching the coupling capacitor support column or other metal components. The insulated single conductor lead-in can be installed in a PVC or other plastic conduit which should be supported on stand-offs or insulators.
- 11.11.2. When power line carrier communication is utilized, CenterPoint Energy shall determine the frequency for the power line carrier communication. The customer shall procure the power line carrier transmitter/receiver set with an automatic carrier tester according to CenterPoint Energy provided bill of material as indicated in Sub-Article 7.5 and 7.6 of this specification.
- 11.11.3. If transmission line protective relaying with fiber optics communication is utilized, the customer is required to provide a raceway for the fiber optic cable installation from the transmission line protective relay that requires the fiber optic communication (i.e., relay located in the substation control cubicle) to the base of the first CenterPoint Energy transmission line structure outside the substation. See Sub-Article 5.5.4 of this specification for cases where fiber optic cable comes in overhead. A dedicated raceway (conduit) is required for the fiber optic cable, however a

						CENTERPOINT ENERGY HOUSTON, TEXAS		
						WRITTEN	4/9/74	E. C. Reid
						CHECKED	4/10/74	L. G. Pond
						APPROVED	7/17/74	C. S. Kayser
						Page 32 of 46		
17	9-2-2021	Update sections 4 & 11	Var	Var	GAC			
16	8-3-2017	Update Sections 8 & 9 for Telecom	cwm	Var	MDB			
15	11-16-2015	Updates	Var	Var	DRS			
Ray	Gulf Wind-SCOA, 2017-05-17	Change 1700A and other updates	Var	Var	DRS			
NO	DATE	ITEMS REVISED	BY	CH	APP	SPECIFICATION NO. 007 231 14		

dedicated inner duct installed in a cable trench or a dedicated conduit in a duct bank is acceptable. CenterPoint Energy shall be responsible for supplying, pulling and splicing of the fiber optic cable.

The following guidelines are for the customer provided raceway:

- 11.11.3.1. Flexible steel conduit 1.50 in. diameter, from the splice box, that is provided and mounted by CenterPoint Energy at the base of the first CenterPoint Energy transmission structure outside of the substation, to the end of the underground conduit provided by the customer.
- 11.11.3.2. Below grade conduit shall be a minimum 1.50 in. diameter PVC, Schedule 40 with "pull line" (continuous fiber polyolefin, 200 lbs. tensile strength) installed. Conduit shall be at least 18.00 in. below grade, with a protective concrete barrier. Minimum bending radius shall be 24.00 in.
- 11.11.3.3. Pull boxes at grade level shall be provided along the cable raceway route at intervals not more than 300 ft. or two 90° bends. A cable pull box in the raceway route is required just inside the substation fence. Pull box shall be 30 in. x 60 in. x 30 in. (Quazite Style No. PG3060BB30 and PG3060HA).
- 11.11.3.4. The customer shall provide 5 in. x 19 in. x 12 in. rack space close to the transmission line protective relaying that utilizes fiber optics communication to accommodate a fiber optic cable distribution box. CenterPoint Energy will provide and install the fiber optic cable distribution box.
- 11.11.3.5. In cases where railroad tracks exist between the substation and the first CenterPoint Energy transmission structure outside of the substation, CenterPoint Energy will give site-specific requirements.
- 11.11.3.6. Customer shall submit drawings and other documents as necessary showing the raceway routing and construction details of the conduit according to Article 14 of this specification.
- 11.11.3.7. Actual designs shall be reviewed by CenterPoint Energy before construction starts.

12. REMOTE TELEMETRY

- 12.1. For remote telemetry requirements (i.e., SCADA), refer to CenterPoint Energy 007-400-02 Specification for Remote Telemetry of a Customer-Owned Facility.

13. GENERATION

- 13.1. Customers desiring to install and/or operate generation rated more than 10 MW shall make application with ERCOT as outlined at the ERCOT website (www.ercot.com). Generators shall comply with ERCOT Nodal Operating Guides and Protocols, ERCOT Planning Guides, and CenterPoint Energy engineering specifications and requirements.

						CENTERPOINT ENERGY HOUSTON, TEXAS		
						WRITTEN	4/9/74	E. C. Reid
						CHECKED	4/10/74	L. G. Pond
						APPROVED	7/17/74	C. S. Kayser
Ray	Gulf Wind-SCFA, 2015-05-17	2015-05-17	000A and other updates	Var	Var	DRS	Page 33 of 46	
	NO	DATE	ITEMS REVISED	BY	CH	APP	SPECIFICATION NO. 007 231 14	

13.2. For customers desiring to install and/or operate generation less than or equal to the customer's load (i.e., 'self-serve'), the requirements for relay and generation/load islanding schemes are as follows:

- 13.2.1. The transmission customer shall be responsible for installing protective relays to ensure the customer's generators do not sustain a fault on the CenterPoint Energy transmission system. In addition, customer generation shall not keep any portion of the CenterPoint Energy transmission system energized in the event that a portion of the CenterPoint Energy transmission system along with the customer's facilities becomes isolated from the rest of the CenterPoint Energy system. The transmission customer shall be responsible for installing protective relays to ensure the customer's generation does not interfere with the automatic reclosing system associated with the CenterPoint Energy transmission system (i.e., The first automatic reclosing attempt on CenterPoint Energy transmission line will occur a minimum of one second after the fault has cleared. See Sub-Article 3.6). CenterPoint Energy will inform the customer of required changes to the automatic reclosing system at other substations associated with the CenterPoint Energy transmission system as a result of the operation of the customer's generators in parallel with the CenterPoint Energy transmission system. CenterPoint Energy will calculate and implement all settings for customer-owned relays installed for the protection and automatic reclosing of CenterPoint Energy transmission lines and for customer-owned relays installed to prevent back-energizing a fault on the CenterPoint Energy's system from generation installed on the low-side of customer's power transformers.
- 13.2.2. The transmission customer shall be responsible for installing controls to synchronize the customer's generators with the CenterPoint Energy's system.
- 13.2.3. The customer shall not intentionally impose additional load on the CenterPoint Energy transmission network during an under frequency disturbance (i.e., between 59.95 to 57.5 Hz).
- 13.2.4. Customer may island their load and generation from CenterPoint Energy transmission system in one of the following manners:
- 13.2.4.1. Customer may island their generation and load from the CenterPoint Energy transmission system if the frequency exceeds 61.8 Hz or goes below 57.5 Hz.
- 13.2.4.2. Customer may island generation and a portion of load from the CenterPoint Energy transmission system at any frequency, provided provisions are installed to ensure the any remaining load imposed on the CenterPoint Energy transmission system is not greater than the load prior to the beginning of the disturbance.
- 13.2.5. Verification of the implementation of the above requirements shall be in accordance with Article 14 of this specification.

14. DRAWING AND DOCUMENTATION COMPLIANCE REVIEW AND COMMENTS

						CENTERPOINT ENERGY HOUSTON, TEXAS		
						WRITTEN	4/9/74	E. C. Reid
						CHECKED	4/10/74	L. G. Pond
						APPROVED	7/17/74	C. S. Kayser
						Page 34 of 46		
Ray	NO	DATE	ITEMS REVISED	BY	CH	APP	SPECIFICATION NO. 007 231 14	
	17	9-2-2021	Update sections 4 & 11	Var	Var	GAC		
	16	8-3-2017	Update Sections 8 & 9 for Telecom	cwm	Var	MDB		
	15	11-16-2015	Updates	Var	Var	DRS		
			Gulf Wind-SCFA, 2211-05-1700A and other updates	Var	Var	DRS		

14.1. The following completed engineering documents shall be submitted in the order shown below for CenterPoint Energy comments, functional review, and compliance with CenterPoint Energy specifications in accordance with Sub-Articles 14.2 through 14.6 of this specification:

14.1.1. Site preparation and plot plan drawings shall be submitted to CenterPoint Energy for comment. Facilities that must be shown on this drawing include the dimensions of the substation site, dead-end structure location, access roadways to substation, space around the outside of the substation, (roadways, railroad tracks, walks, pipe racks, etc.), drainage features such as culverts, ditches and detention facilities (if required). Additionally, the elevation of the substation site should be indicated on these drawings (See Article 6 of this specification).

14.1.2. Relaying and metering one-line diagram of high voltage relaying and including generator protection one-line diagram for customers with parallel generation. The diagram shall indicate the maximum current transformer ratio and the current transformer tap ratio being utilized. The diagram shall indicate whether the 138 kV circuit breaker low SF6 gas pressure wiring is set to 'BLOCK TRIP' or to 'AUTO TRIP' the circuit breaker.

CenterPoint Energy shall indicate incoming 138 kV transmission lines designation, power line carrier frequencies (if applicable), location and ratings of metering instrument transformers (high-side or low-side), CenterPoint Energy designations for circuit breakers, switches, power transformers, generators (if applicable) and the CenterPoint Energy assigned 6-character substation identification. CenterPoint Energy will provide a bill of materials as indicated in Sub-Article 11.3 of this specification.

The drawing shall then be revised to show the information provided by CenterPoint Energy and resubmitted to the CenterPoint Energy designated representative. (See Articles 9 and 11 of this specification).

14.1.3. Substation plan, profile and section view drawings, including bus and bus supports with material callouts. The plan and profiles must indicate the geographical base lines, center line of dead-end structure and height of static wire and phase wire pull off on the dead-end structure with coordinates and CenterPoint Energy circuit name and circuit number for incoming 138 kV transmission lines Material callouts including conductor size, type, and quantity shall be provided in sufficient detail to allow for determination of the continuous and emergency substation facility ratings (See Articles 4 and 5 of this specification).

14.1.4. Final/complete relaying and metering one-line diagrams, including generator protection one-line diagram for customers with parallel generation.

14.1.5. When the interconnection agreement indicates that the customer must install equipment (i.e., motor soft start, variable frequency drive (VFD), etc.) in order to satisfy the CenterPoint Energy interconnection requirements of Sub-Article 4.88 of this specification, drawings and documentation of equipment to be installed shall be submitted for CenterPoint Energy review.

14.1.6. Equipment specification for all major pieces of equipment such as power transformers, 138 kV circuit breakers, surge arresters, disconnect switches, coupling capacitors and line traps. (See Articles 4 and 7 of this specification).

						CENTERPOINT ENERGY HOUSTON, TEXAS		
						WRITTEN	4/9/74	E. C. Reid
						CHECKED	4/10/74	L. G. Pond
						APPROVED	7/17/74	C. S. Kayser
Ray	Gulf Wind-SC01A, 2211105 1700A and other updates	NO	DATE	ITEMS REVISED	BY	CH	APP	Page 35 of 46
						SPECIFICATION NO. 007 231 14		

- 14.1.7. Foundation location plan. (See Articles 5 and 6 of this specification).
- 14.1.8. Design calculations, drawings and associated documents for the substation dead-end structures, instrument transformer stands, and foundations. These documents shall be submitted 30 days prior to the scheduled fabrication start.
- 14.1.9. AC and DC schematics of high voltage relaying, control and SCADA schemes. AC and DC panel board drawings. These drawings shall be submitted after the documents required in Sub-Article 14.1.2 of this specification have been approved.
- 14.1.10. Where low-side metering is used, as determined by CenterPoint Energy, original certified test data in PDF electronic file shall be provided to CenterPoint Energy for each metering instrument transformer installed (See Sub-Articles 9.2.1.2 of this specification).
- 14.1.11. Power transformer AC schematic, breaker schematics and BCT curves.
- 14.1.12. Power transformer and 138 kV circuit breaker nameplate drawings, line trap instruction book and drawings and line tuner instruction book and drawings.
- 14.1.13. Relaying, control and SCADA bill of materials. These documents shall be submitted after the documents required in Sub-Article 14.1.4 of this specification have been approved.
- 14.1.14. Cable and conduit list and routing layout.
- 14.1.15. Front and Back View of high voltage relay and control panels including interconnections.
- 14.1.16. Substation control cubicle layout drawing. (See Article 8 of this specification).
- 14.1.17. Detail (point-to-point) wiring diagrams shall be submitted, not for approval, but for use in accordance with Article 11 of this specification.
- 14.1.18. The customer calculated relay settings for the 138 kV bus and 138 kV transformer protective relay schemes and 138 kV circuit breaker failure relaying.
- 14.2. A PDF electronic file of each of the drawings indicated in Sub-Article 14.1 of this specification shall be sent, for review/comments, to the CenterPoint Energy designated representative unless a different format is specifically requested by CenterPoint Energy. Certain types of engineering documents depend upon finalization of other documents. For example, relay panel drawings cannot be prepared until the relaying AC and DC schematics are finalized. Therefore, engineering documents shall be submitted for CenterPoint Energy comments or approval in the proper sequence.
- 14.3. Customer drawings should be 100% complete when given to CenterPoint Energy to review. If a functional review cannot be done, CenterPoint Energy shall comment on compliance with CenterPoint Energy specifications and return to customer. The drawings shall then be resubmitted with CenterPoint Energy comments incorporated when 100% complete. The customer shall then proceed with drawing submittal in accordance with Sub-Article 14.4 of this specification.

						CENTERPOINT ENERGY		
						HOUSTON, TEXAS		
						WRITTEN	4/9/74	E. C. Reid
						CHECKED	4/10/74	L. G. Pond
						APPROVED	7/17/74	C. S. Kayser
Ray	17	9-2-2021	Update sections 4 & 11	Var	Var	GAC	Page 36 of 46	
	16	8-3-2017	Update Sections 8 & 9 for Telecom	cwm	Var	MDB		
	15	11-16-2015	Updates	Var	Var	DRS	SPECIFICATION NO. 007 231 14	
	NO	DATE	ITEMS REVISED	BY	CH	APP		

- 14.4. Customer drawings that are 100% complete and marked "For Approval" shall be functionally reviewed by CenterPoint Energy for compliance with CenterPoint Energy specifications. If additional comments are made by CenterPoint Energy on the 100% complete drawings, the customer may:
- 14.4.1. Incorporate the CenterPoint Energy comments and resubmit these drawings for further review of compliance with CenterPoint Energy specifications, or
- 14.4.2. Send a letter to the CenterPoint Energy designated representative acknowledging that CenterPoint Energy comments were received and shall be incorporated into the "For Construction" drawings.
- 14.5. Should the customer disagree with comments by CenterPoint Energy, the customer shall send a letter to the CenterPoint Energy designated representative explaining why revisions are not necessary.
- 14.6. Once all issues are resolved, the final set of drawings shall be marked "For Construction." After, the substation is energized a PDF electronic file of each of the drawings indicated in Sub-Article 14.1 of this specification, "As Built" drawings of the substation shall be sent to the CenterPoint Energy designated representative within 90 days.

15. EQUIPMENT INSTALLATION

- 15.1. The protective enclosure around the substation including gates and grounding shall be installed in accordance with the National Electrical Safety Code (IEEE C2), IEEE 1119 and IEEE 80.
- 15.2. CenterPoint Energy shall assign a 6-character substation identification to the customer-owned substation. CenterPoint Energy shall post the 6-character substation identification on the door of the substation control cubicle and on the entrance gate of the substation. The 6-character substation identification shall be used to identify the customer-owned substation for any communications or correspondence.
- 15.3. The customer shall install all substation equipment and make all connections, except as otherwise noted in this specification. The customer shall make all equipment installation checks required by Article 16 of this specification and shall make all required measurements and readings available to CenterPoint Energy personnel if requested.
- 15.4. CenterPoint Energy will verify that the 138 kV switches operate correctly.
- 15.5. CenterPoint Energy will have the sole responsibility for calculating relay set points, applying relay settings and "out of case" testing of the following relays:
- 15.5.1. Transmission line relaying and tuning components of the associated power line carrier equipment communication channel,
- 15.5.2. Relays for 138 kV transmission line automatic reclosing, and
- 15.5.3. Relays for 138 kV breaker failure protection when specified by CenterPoint Energy.

						CENTERPOINT ENERGY HOUSTON, TEXAS		
						WRITTEN	4/9/74	E. C. Reid
						CHECKED	4/10/74	L. G. Pond
						APPROVED	7/17/74	C. S. Kayser
						Page 37 of 46		
Ray	17	9-2-2021	Update sections 4 & 11	Var	Var	GAC		
	16	8-3-2017	Update Sections 8 & 9 for Telecom	cwm	Var	MDB		
	15	11-16-2015	Updates	Var	Var	DRS		
			Gulf Wind SOFA, Change 1700A and other updates	Var	Var	DRS		
	NO	DATE	ITEMS REVISED	BY	CH	APP	SPECIFICATION NO. 007 231 14	

Note: The appropriate operation of protective relays and control circuits by performing trip and close testing from devices of Sub-Articles 15.5.1 through 15.5.3 of this specification above shall be conducted with CenterPoint Energy present to direct and observe test (24 hr. advance notice required).

- 15.6. CenterPoint Energy will furnish locks which shall remain in series with customer locks for all 138 kV disconnect switches, substation control cubicle doors and gates(s) to and from the substation.
- 15.7. The 138 kV circuit breakers, air switches and power transformers will be assigned numbers in accordance with CenterPoint Energy dispatching numbers. The numbers are to be shown on the one-line diagram and shall be marked on the circuit breaker tanks, switch handles and power transformers.
- 15.8. CenterPoint Energy will coordinate and provide the procedures for energizing the customer-owned substation 138 kV equipment.

16. REQUIRED TESTS AND INSPECTIONS

16.1. During installation but prior to energizing the equipment, the customer shall perform the following tests and inspections. CenterPoint Energy will observe the tests below that are marked with an asterisk (*).

16.1.1. Diagnostic testing (e.g., insulation power factor (“Doble testing”, etc.), insulation resistance (“Megger”, etc.) of all equipment (e.g., arresters, coupling capacitors, etc.), including all tests as specified by manufacturer.

16.1.2. The required tests and inspections for control cables and panels are as follows:

16.1.2.1. Check continuity and perform insulation resistance test conductor-to-ground and conductor-to-conductor.

16.1.2.2. Perform a point-to-point wiring check of protective relaying and control panels.

16.1.2.3. Verify protective relaying control circuits by performing functional trip and close testing.*

16.1.2.4. Inject current from current transformers through relays.*

16.1.2.5. CenterPoint Energy personnel will calculate the set points, apply the settings and test the multi-function transmission line protection relays after the customer has completed point-to-point wiring checks of protective relaying and control panels and verified protective relaying control circuits by performing functional trip and close testing.

16.1.3. The required tests and inspections for power cables are as follows:

16.1.3.1. Check continuity and phasing sequence.

16.1.3.2. Perform insulation resistance test of cables.

16.1.3.3. High-pot.

17	9-2-2021	Update sections 4 & 11	Var	Var	GAC
16	8-3-2017	Update Sections 8 & 9 for Telecom	cwm	Var	MDB
15	11-16-2015	Updates	Var	Var	DRS
Ray	Gulf Wind-SCFA, 2111-05-1700A and other updates		Var	Var	DRS
NO	DATE	ITEMS REVISED	BY	CH	APP

CENTERPOINT ENERGY HOUSTON, TEXAS		
WRITTEN	4/9/74	E. C. Reid
CHECKED	4/10/74	L. G. Pond
APPROVED	7/17/74	C. S. Kayser
Page 38 of 46		
SPECIFICATION NO. 007 231 14		

16.1.4. The required tests and inspections for circuit breakers are as follows:

- 16.1.4.1. Inspect and adjust main auxiliary switch assembly per manufacturer's instructions.
- 16.1.4.2. Inspect, adjust, and lubricate operating mechanism per manufacturer's instructions.
- 16.1.4.3. Ratio check, excitation test, insulation resistance test, and polarity on all current transformers. Leave un-used current transformers shorted and grounded on secondary terminals.
- 16.1.4.4. Check resistance of close, trip and trip free coils.
- 16.1.4.5. Perform insulation resistance test of main contact assembly and bushings. Measure main contact resistance ("Ductor").
- 16.1.4.6. Make dielectric insulation and power factor tests on main contact assembly and bushings.
- 16.1.4.7. Perform insulation resistance test of control circuits conductor-to-ground and conductor-to-conductor.
- 16.1.4.8. Record all measurements and readings.
- 16.1.4.9. Make time-travel recordings to verify proper opening speed.

16.1.5. The required tests and inspections for disconnects and switches are as follows:

- 16.1.5.1. Check and adjust contact alignment and wipe. *
- 16.1.5.2. Adjust operating linkage to obtain full open and close positions and tighten all clamps and set screws. *
- 16.1.5.3. Check and tighten all electrical connections.
- 16.1.5.4. Lubricate linkage and bearings, if required.
- 16.1.5.5. Clean all grease from contacts.

16.1.6. The required tests and inspections for batteries and charger are as follows:

- 16.1.6.1. Assemble batteries per manufacturer's instructions.
- 16.1.6.2. Coat all connections on battery terminals with no-oxide grease.
- 16.1.6.3. Install, connect, and adjust charger per manufacturer's instructions.

						CENTERPOINT ENERGY HOUSTON, TEXAS		
						WRITTEN	4/9/74	E. C. Reid
						CHECKED	4/10/74	L. G. Pond
						APPROVED	7/17/74	C. S. Kayser
Ray	Gulf Wind-SCFA, 2014-05-17	Change 1700A and other updates	Var	Var	DRS	Page 39 of 46		
NO	DATE	ITEMS REVISED	BY	CH	APP	SPECIFICATION NO. 007 231 14		

- 16.1.6.4. Put batteries on equalize charge until the specific gravity of all cells is within the limits set by manufacturer.
- 16.1.6.5. Read and record the float voltage and specific gravity of each cell.

17. RECOMMENDED TESTS AND INSPECTIONS

17.1. During installation but prior to energizing the equipment, CenterPoint Energy recommends that the customer perform the following tests and inspections, as a minimum. This list is not considered to be exhaustive or all-inclusive.

- 17.1.1. For low-side equipment, test relays, check transformer and bus automatic reclosing and check operations indicators when tripping through the panel with current.

Note: CenterPoint Energy will calculate and implement all settings for customer-owned relays installed for the protection and automatic reclosing of CNP transmission lines and for customer-owned relays installed to prevent back-energizing CNP's system from generation installed on the low-side of customer power transformers. On a case-by-case basis, CNP may issue settings for other customer-owned relays.

17.1.2. The recommended tests and inspections for all substation equipment are as follows:

- 17.1.2.1. Clean rusted surfaces, prime all bare metal surfaces, and touch up with paint matching the finish coat.

17.1.3. The recommended tests and inspections for control work are as follows:

- 17.1.3.1. Wire check all cables to current transformers and perform insulation resistance test of cables.

17.1.3.2. In the following order:

- 17.1.3.2.1. Polarity check current transformers.
- 17.1.3.2.2. Ratio check current transformers.
- 17.1.3.2.3. Excitation test current transformers.
- 17.1.3.2.4. Insulation resistance test current transformers.

17.1.3.3. Check cable connections to panels.

17.1.3.4. Wires check panels.

17.1.4. The recommended tests and inspections for switchgear are as follows:

- 17.1.4.1. Check bus work for continuity, phase sequence, and adequate clearance.

						CENTERPOINT ENERGY HOUSTON, TEXAS		
						WRITTEN	4/9/74	E. C. Reid
						CHECKED	4/10/74	L. G. Pond
						APPROVED	7/17/74	C. S. Kayser
Ray	Gulf Wind-2015A, 2015B, 2015C, 2015D, 2015E, 2015F, 2015G, 2015H, 2015I, 2015J, 2015K, 2015L, 2015M, 2015N, 2015O, 2015P, 2015Q, 2015R, 2015S, 2015T, 2015U, 2015V, 2015W, 2015X, 2015Y, 2015Z, 2016A, 2016B, 2016C, 2016D, 2016E, 2016F, 2016G, 2016H, 2016I, 2016J, 2016K, 2016L, 2016M, 2016N, 2016O, 2016P, 2016Q, 2016R, 2016S, 2016T, 2016U, 2016V, 2016W, 2016X, 2016Y, 2016Z, 2017A, 2017B, 2017C, 2017D, 2017E, 2017F, 2017G, 2017H, 2017I, 2017J, 2017K, 2017L, 2017M, 2017N, 2017O, 2017P, 2017Q, 2017R, 2017S, 2017T, 2017U, 2017V, 2017W, 2017X, 2017Y, 2017Z, 2018A, 2018B, 2018C, 2018D, 2018E, 2018F, 2018G, 2018H, 2018I, 2018J, 2018K, 2018L, 2018M, 2018N, 2018O, 2018P, 2018Q, 2018R, 2018S, 2018T, 2018U, 2018V, 2018W, 2018X, 2018Y, 2018Z, 2019A, 2019B, 2019C, 2019D, 2019E, 2019F, 2019G, 2019H, 2019I, 2019J, 2019K, 2019L, 2019M, 2019N, 2019O, 2019P, 2019Q, 2019R, 2019S, 2019T, 2019U, 2019V, 2019W, 2019X, 2019Y, 2019Z, 2020A, 2020B, 2020C, 2020D, 2020E, 2020F, 2020G, 2020H, 2020I, 2020J, 2020K, 2020L, 2020M, 2020N, 2020O, 2020P, 2020Q, 2020R, 2020S, 2020T, 2020U, 2020V, 2020W, 2020X, 2020Y, 2020Z, 2021A, 2021B, 2021C, 2021D, 2021E, 2021F, 2021G, 2021H, 2021I, 2021J, 2021K, 2021L, 2021M, 2021N, 2021O, 2021P, 2021Q, 2021R, 2021S, 2021T, 2021U, 2021V, 2021W, 2021X, 2021Y, 2021Z, 2022A, 2022B, 2022C, 2022D, 2022E, 2022F, 2022G, 2022H, 2022I, 2022J, 2022K, 2022L, 2022M, 2022N, 2022O, 2022P, 2022Q, 2022R, 2022S, 2022T, 2022U, 2022V, 2022W, 2022X, 2022Y, 2022Z, 2023A, 2023B, 2023C, 2023D, 2023E, 2023F, 2023G, 2023H, 2023I, 2023J, 2023K, 2023L, 2023M, 2023N, 2023O, 2023P, 2023Q, 2023R, 2023S, 2023T, 2023U, 2023V, 2023W, 2023X, 2023Y, 2023Z, 2024A, 2024B, 2024C, 2024D, 2024E, 2024F, 2024G, 2024H, 2024I, 2024J, 2024K, 2024L, 2024M, 2024N, 2024O, 2024P, 2024Q, 2024R, 2024S, 2024T, 2024U, 2024V, 2024W, 2024X, 2024Y, 2024Z, 2025A, 2025B, 2025C, 2025D, 2025E, 2025F, 2025G, 2025H, 2025I, 2025J, 2025K, 2025L, 2025M, 2025N, 2025O, 2025P, 2025Q, 2025R, 2025S, 2025T, 2025U, 2025V, 2025W, 2025X, 2025Y, 2025Z, 2026A, 2026B, 2026C, 2026D, 2026E, 2026F, 2026G, 2026H, 2026I, 2026J, 2026K, 2026L, 2026M, 2026N, 2026O, 2026P, 2026Q, 2026R, 2026S, 2026T, 2026U, 2026V, 2026W, 2026X, 2026Y, 2026Z, 2027A, 2027B, 2027C, 2027D, 2027E, 2027F, 2027G, 2027H, 2027I, 2027J, 2027K, 2027L, 2027M, 2027N, 2027O, 2027P, 2027Q, 2027R, 2027S, 2027T, 2027U, 2027V, 2027W, 2027X, 2027Y, 2027Z, 2028A, 2028B, 2028C, 2028D, 2028E, 2028F, 2028G, 2028H, 2028I, 2028J, 2028K, 2028L, 2028M, 2028N, 2028O, 2028P, 2028Q, 2028R, 2028S, 2028T, 2028U, 2028V, 2028W, 2028X, 2028Y, 2028Z, 2029A, 2029B, 2029C, 2029D, 2029E, 2029F, 2029G, 2029H, 2029I, 2029J, 2029K, 2029L, 2029M, 2029N, 2029O, 2029P, 2029Q, 2029R, 2029S, 2029T, 2029U, 2029V, 2029W, 2029X, 2029Y, 2029Z, 2030A, 2030B, 2030C, 2030D, 2030E, 2030F, 2030G, 2030H, 2030I, 2030J, 2030K, 2030L, 2030M, 2030N, 2030O, 2030P, 2030Q, 2030R, 2030S, 2030T, 2030U, 2030V, 2030W, 2030X, 2030Y, 2030Z, 2031A, 2031B, 2031C, 2031D, 2031E, 2031F, 2031G, 2031H, 2031I, 2031J, 2031K, 2031L, 2031M, 2031N, 2031O, 2031P, 2031Q, 2031R, 2031S, 2031T, 2031U, 2031V, 2031W, 2031X, 2031Y, 2031Z, 2032A, 2032B, 2032C, 2032D, 2032E, 2032F, 2032G, 2032H, 2032I, 2032J, 2032K, 2032L, 2032M, 2032N, 2032O, 2032P, 2032Q, 2032R, 2032S, 2032T, 2032U, 2032V, 2032W, 2032X, 2032Y, 2032Z, 2033A, 2033B, 2033C, 2033D, 2033E, 2033F, 2033G, 2033H, 2033I, 2033J, 2033K, 2033L, 2033M, 2033N, 2033O, 2033P, 2033Q, 2033R, 2033S, 2033T, 2033U, 2033V, 2033W, 2033X, 2033Y, 2033Z, 2034A, 2034B, 2034C, 2034D, 2034E, 2034F, 2034G, 2034H, 2034I, 2034J, 2034K, 2034L, 2034M, 2034N, 2034O, 2034P, 2034Q, 2034R, 2034S, 2034T, 2034U, 2034V, 2034W, 2034X, 2034Y, 2034Z, 2035A, 2035B, 2035C, 2035D, 2035E, 2035F, 2035G, 2035H, 2035I, 2035J, 2035K, 2035L, 2035M, 2035N, 2035O, 2035P, 2035Q, 2035R, 2035S, 2035T, 2035U, 2035V, 2035W, 2035X, 2035Y, 2035Z, 2036A, 2036B, 2036C, 2036D, 2036E, 2036F, 2036G, 2036H, 2036I, 2036J, 2036K, 2036L, 2036M, 2036N, 2036O, 2036P, 2036Q, 2036R, 2036S, 2036T, 2036U, 2036V, 2036W, 2036X, 2036Y, 2036Z, 2037A, 2037B, 2037C, 2037D, 2037E, 2037F, 2037G, 2037H, 2037I, 2037J, 2037K, 2037L, 2037M, 2037N, 2037O, 2037P, 2037Q, 2037R, 2037S, 2037T, 2037U, 2037V, 2037W, 2037X, 2037Y, 2037Z, 2038A, 2038B, 2038C, 2038D, 2038E, 2038F, 2038G, 2038H, 2038I, 2038J, 2038K, 2038L, 2038M, 2038N, 2038O, 2038P, 2038Q, 2038R, 2038S, 2038T, 2038U, 2038V, 2038W, 2038X, 2038Y, 2038Z, 2039A, 2039B, 2039C, 2039D, 2039E, 2039F, 2039G, 2039H, 2039I, 2039J, 2039K, 2039L, 2039M, 2039N, 2039O, 2039P, 2039Q, 2039R, 2039S, 2039T, 2039U, 2039V, 2039W, 2039X, 2039Y, 2039Z, 2040A, 2040B, 2040C, 2040D, 2040E, 2040F, 2040G, 2040H, 2040I, 2040J, 2040K, 2040L, 2040M, 2040N, 2040O, 2040P, 2040Q, 2040R, 2040S, 2040T, 2040U, 2040V, 2040W, 2040X, 2040Y, 2040Z, 2041A, 2041B, 2041C, 2041D, 2041E, 2041F, 2041G, 2041H, 2041I, 2041J, 2041K, 2041L, 2041M, 2041N, 2041O, 2041P, 2041Q, 2041R, 2041S, 2041T, 2041U, 2041V, 2041W, 2041X, 2041Y, 2041Z, 2042A, 2042B, 2042C, 2042D, 2042E, 2042F, 2042G, 2042H, 2042I, 2042J, 2042K, 2042L, 2042M, 2042N, 2042O, 2042P, 2042Q, 2042R, 2042S, 2042T, 2042U, 2042V, 2042W, 2042X, 2042Y, 2042Z, 2043A, 2043B, 2043C, 2043D, 2043E, 2043F, 2043G, 2043H, 2043I, 2043J, 2043K, 2043L, 2043M, 2043N, 2043O, 2043P, 2043Q, 2043R, 2043S, 2043T, 2043U, 2043V, 2043W, 2043X, 2043Y, 2043Z, 2044A, 2044B, 2044C, 2044D, 2044E, 2044F, 2044G, 2044H, 2044I, 2044J, 2044K, 2044L, 2044M, 2044N, 2044O, 2044P, 2044Q, 2044R, 2044S, 2044T, 2044U, 2044V, 2044W, 2044X, 2044Y, 2044Z, 2045A, 2045B, 2045C, 2045D, 2045E, 2045F, 2045G, 2045H, 2045I, 2045J, 2045K, 2045L, 2045M, 2045N, 2045O, 2045P, 2045Q, 2045R, 2045S, 2045T, 2045U, 2045V, 2045W, 2045X, 2045Y, 2045Z, 2046A, 2046B, 2046C, 2046D, 2046E, 2046F, 2046G, 2046H, 2046I, 2046J, 2046K, 2046L, 2046M, 2046N, 2046O, 2046P, 2046Q, 2046R, 2046S, 2046T, 2046U, 2046V, 2046W, 2046X, 2046Y, 2046Z, 2047A, 2047B, 2047C, 2047D, 2047E, 2047F, 2047G, 2047H, 2047I, 2047J, 2047K, 2047L, 2047M, 2047N, 2047O, 2047P, 2047Q, 2047R, 2047S, 2047T, 2047U, 2047V, 2047W, 2047X, 2047Y, 2047Z, 2048A, 2048B, 2048C, 2048D, 2048E, 2048F, 2048G, 2048H, 2048I, 2048J, 2048K, 2048L, 2048M, 2048N, 2048O, 2048P, 2048Q, 2048R, 2048S, 2048T, 2048U, 2048V, 2048W, 2048X, 2048Y, 2048Z, 2049A, 2049B, 2049C, 2049D, 2049E, 2049F, 2049G, 2049H, 2049I, 2049J, 2049K, 2049L, 2049M, 2049N, 2049O, 2049P, 2049Q, 2049R, 2049S, 2049T, 2049U, 2049V, 2049W, 2049X, 2049Y, 2049Z, 2050A, 2050B, 2050C, 2050D, 2050E, 2050F, 2050G, 2050H, 2050I, 2050J, 2050K, 2050L, 2050M, 2050N, 2050O, 2050P, 2050Q, 2050R, 2050S, 2050T, 2050U, 2050V, 2050W, 2050X, 2050Y, 2050Z, 2051A, 2051B, 2051C, 2051D, 2051E, 2051F, 2051G, 2051H, 2051I, 2051J, 2051K, 2051L, 2051M, 2051N, 2051O, 2051P, 2051Q, 2051R, 2051S, 2051T, 2051U, 2051V, 2051W, 2051X, 2051Y, 2051Z, 2052A, 2052B, 2052C, 2052D, 2052E, 2052F, 2052G, 2052H, 2052I, 2052J, 2052K, 2052L, 2052M, 2052N, 2052O, 2052P, 2052Q, 2052R, 2052S, 2052T, 2052U, 2052V, 2052W, 2052X, 2052Y, 2052Z, 2053A, 2053B, 2053C, 2053D, 2053E, 2053F, 2053G, 2053H, 2053I, 2053J, 2053K, 2053L, 2053M, 2053N, 2053O, 2053P, 2053Q, 2053R, 2053S, 2053T, 2053U, 2053V, 2053W, 2053X, 2053Y, 2053Z, 2054A, 2054B, 2054C, 2054D, 2054E, 2054F, 2054G, 2054H, 2054I, 2054J, 2054K, 2054L, 2054M, 2054N, 2054O, 2054P, 2054Q, 2054R, 2054S, 2054T, 2054U, 2054V, 2054W, 2054X, 2054Y, 2054Z, 2055A, 2055B, 2055C, 2055D, 2055E, 2055F, 2055G, 2055H, 2055I, 2055J, 2055K, 2055L, 2055M, 2055N, 2055O, 2055P, 2055Q, 2055R, 2055S, 2055T, 2055U, 2055V, 2055W, 2055X, 2055Y, 2055Z, 2056A, 2056B, 2056C, 2056D, 2056E, 2056F, 2056G, 2056H, 2056I, 2056J, 2056K, 2056L, 2056M, 2056N, 2056O, 2056P, 2056Q, 2056R, 2056S, 2056T, 2056U, 2056V, 2056W, 2056X, 2056Y, 2056Z, 2057A, 2057B, 2057C, 2057D, 2057E, 2057F, 2057G, 2057H, 2057I, 2057J, 2057K, 2057L, 2057M, 2057N, 2057O, 2057P, 2057Q, 2057R, 2057S, 2057T, 2057U, 2057V, 2057W, 2057X, 2057Y, 2057Z, 2058A, 2058B, 2058C, 2058D, 2058E, 2058F, 2058G, 2058H, 2058I, 2058J, 2058K, 2058L, 2058M, 2058N, 2058O, 2058P, 2058Q, 2058R, 2058S, 2058T, 2058U, 2058V, 2058W, 2058X, 2058Y, 2058Z, 2059A, 2059B, 2059C, 2059D, 2059E, 2059F, 2059G, 2059H, 2059I, 2059J, 2059K, 2059L, 2059M, 2059N, 2059O, 2059P, 2059Q, 2059R, 2059S, 2059T, 2059U, 2059V, 2059W, 2059X, 2059Y, 2059Z, 2060A, 2060B, 2060C, 2060D, 2060E, 2060F, 2060G, 2060H, 2060I, 2060J, 2060K, 2060L, 2060M, 2060N, 2060O, 2060P, 2060Q, 2060R, 2060S, 2060T, 2060U, 2060V, 2060W, 2060X, 2060Y, 2060Z, 2061A, 2061B, 2061C, 2061D, 2061E, 2061F, 2061G, 2061H, 2061I, 2061J, 2061K, 2061L, 2061M, 2061N, 2061O, 2061P, 2061Q, 2061R, 2061S, 2061T, 2061U, 2061V, 2061W, 2061X, 2061Y, 2061Z, 2062A, 2062B, 2062C, 2062D, 2062E, 2062F, 2062G, 2062H, 2062I, 2062J, 2062K, 2062L, 2062M, 2062N, 2062O, 2062P, 2062Q, 2062R, 2062S, 2062T, 2062U, 2062V, 2062W, 2062X, 2062Y, 2062Z, 2063A, 2063B, 2063C, 2063D, 2063E, 2063F, 2063G, 2063H, 2063I, 2063J, 2063K, 2063L, 2063M, 2063N, 2063O, 2063P, 2063Q, 2063R, 2063S, 2063T, 2063U, 2063V, 2063W, 2063X, 2063Y, 2063Z, 2064A, 2064B, 2064C, 2064D, 2064E, 2064F, 2064G, 2064H, 2064I, 2064J, 2064K, 2064L, 2064M, 2064N, 2064O, 2064P, 2064Q, 2064R, 2064S, 2064T, 2064U, 2064V, 2064W, 2064X, 2064Y, 2064Z, 2065A, 2065B, 2065C, 2065D, 2065E, 2065F, 2065G, 2065H, 2065I, 2065J, 2065K, 2065L, 2065M, 2065N, 2065O, 2065P, 2065Q, 2065R, 2065S, 2065T, 2065U, 2065V, 2065W, 2065X, 2065Y, 2065Z, 2066A, 2066B, 2066C, 2066D, 2066E, 2066F, 2066G, 2066H, 2066I, 2066J, 2066K, 2066L, 2066M, 2066N, 2066O, 2066P, 2066Q, 2066R, 2066S, 2066T, 2066U, 2066V, 2066W, 2066X, 2066Y, 2066Z, 2067A, 2067B, 2067C, 2067D, 2067E, 2067F, 2067G, 2067H, 2067I, 2067J, 2067K, 2067L, 2067M, 2067N, 2067O, 2067P, 2067Q, 2067R, 2067S, 2067T, 2067U, 2067V, 2067W, 2067X, 2067Y, 2067Z, 2068A, 2068B, 2068C, 2068D, 2068E, 2068F, 2068G, 2068H, 2068I, 2068J, 2068K, 2068L, 2068M, 2068N, 2068O, 2068P, 2068Q, 2068R, 2068S, 2068T, 2068U, 2068V, 2068W, 2068X, 2068Y, 2068Z, 2069A, 2069B, 2069C, 2069D, 2069E, 2069F, 2069G, 2069H, 2069I, 2069J, 2069K, 2069L, 2069M, 2069N, 2069O, 2069P, 2069Q, 2069R, 2069S, 2069T, 2069U, 2069V, 2069W, 2069X, 2069Y, 2069Z, 2070A, 2070B, 2070C, 2070D, 2070E, 2070F, 2070G, 2070H, 2070I, 2070J, 2070K, 2070L, 2070M, 2070N, 2070O, 2070P, 2070Q, 2070R, 2070S, 2070T, 2070U, 2070V, 2070W, 2070X, 2070Y, 2070Z, 2071A, 2071B, 2071C, 2071D, 2071E, 2071F, 2071G, 2071H, 2071I, 2071J, 2071K, 2071L, 2071M, 2071N, 2071O, 2071P, 2071Q, 2071R, 2071S, 2071T, 2071U, 2071V, 2071W, 2071X, 2071Y, 2071Z, 2072A, 2072B, 2072C, 2072D, 2072E, 2072F, 2072G, 2072H, 2072I, 2072J, 2072K, 2072L, 2072M, 2072N, 2072O, 2072P, 2072Q, 2072R, 2072S, 2072T, 2072U, 2072V, 2072W, 2072X, 2072Y, 2072Z, 2073A, 2073B, 2073C, 2073D, 2073E, 2073F, 2073G, 2073H, 2073I, 2073J, 2073K, 2073L, 2073M, 2073N, 2073O, 2073P, 2073Q, 2073R, 2073S, 2073T, 2073U, 2073V, 2073W, 2073X, 2073Y, 2073Z, 2074A, 2074B, 2074C, 2074D, 2074E, 2074F, 2074G, 2074H, 2074I, 2074J, 2074K, 2074L, 2074M, 2074N, 2074O, 2074P, 2074Q, 2074R, 2074S, 2074T, 2074U, 2074V, 2074W, 2074X, 2074Y, 2074Z, 2075A, 2							

- 17.1.4.2. Check all bolted bus connections.
- 17.1.4.3. High-pot cable with 25 kV DC.
- 17.1.4.4. Insure that all exposed bus work is properly insulated.
- 17.1.4.5. Bridge all bus work.
- 17.1.4.6. Perform dielectric insulation and power factor tests on all bus work.
- 17.1.4.7. Check breaker-lifting devices for alignment and adjust limit switches, if necessary.
- 17.1.4.8. Adjust auxiliary and cell switches.
- 17.1.4.9. Check continuity for all AC, DC control, and current transformer circuits.
- 17.1.5. The recommended tests and inspections for transformers are as follows:
- 17.1.5.1. Visually inspect for internal shipping damage and check all internal connections.
- 17.1.5.2. Install bushing and accessories per manufacturer's instructions.
- 17.1.5.3. Inspect load tap changer (LTC) compartment and adjust per manufacturer's instruction and check LTC operation, if applicable.
- 17.1.5.4. Bridge primary and secondary windings on all tap positions and a final check on the tap position that will be used.
- 17.1.5.5. Ratio check, excitation test, perform insulation resistance test, and check polarity on all current transformers. Leave unused current transformers shorted and grounded on the secondary.
- 17.1.5.6. Vacuum fill per manufacturer's instructions.
- 17.1.5.7. Check for oil and gas leaks. (This may be done prior to vacuum filling).
- 17.1.5.8. Test oil before and after filling. (Maximum power factor, minimum dielectric strength, color, acidity, and interfacial tension).
- 17.1.5.9. Test oil for dissolved combustible gas and moisture content (Note: This test is to be performed 24 to 48 hours after the substation has been energized)..
- 17.1.5.10. Check voltage regulating relay and controls.
- 17.1.5.11. Check cooling equipment and controls.

						CENTERPOINT ENERGY HOUSTON, TEXAS		
						WRITTEN	4/9/74	E. C. Reid
						CHECKED	4/10/74	L. G. Pond
						APPROVED	7/17/74	C. S. Kayser
						Page 41 of 46		
Ray	NO	DATE	ITEMS REVISED	BY	CH	APP	SPECIFICATION NO. 007 231 14	
17	9-2-2021	Update sections 4 & 11	Var	Var	GAC			
16	8-3-2017	Update Sections 8 & 9 for Telecom	cwm	Var	MDB			
15	11-16-2015	Updates	Var	Var	DRS			
14	11-16-2015	Change to 1700A and other updates	Var	Var	DRS			

135

EXHIBIT "I" CenterPoint Energy Contract #INT-22-69A

- 17.1.5.12. Check nitrogen-regulating equipment and adjust per manufacturer's instructions.
- 17.1.5.13. Check sudden pressure relay and associated circuits.
- 17.1.5.14. Check and connect desired alarm circuits.
- 17.1.5.15. Perform insulation resistance test and insulation power factor test of bushing and windings (e.g., "Doble testing").
- 17.1.5.16. Check all bushings to bus connections.
- 17.1.5.17. Check all current transformers and control circuit connections.
- 17.1.5.18. Record all measurements and readings.
- 17.1.5.19. Check core ground.

REFERENCE DRAWINGS

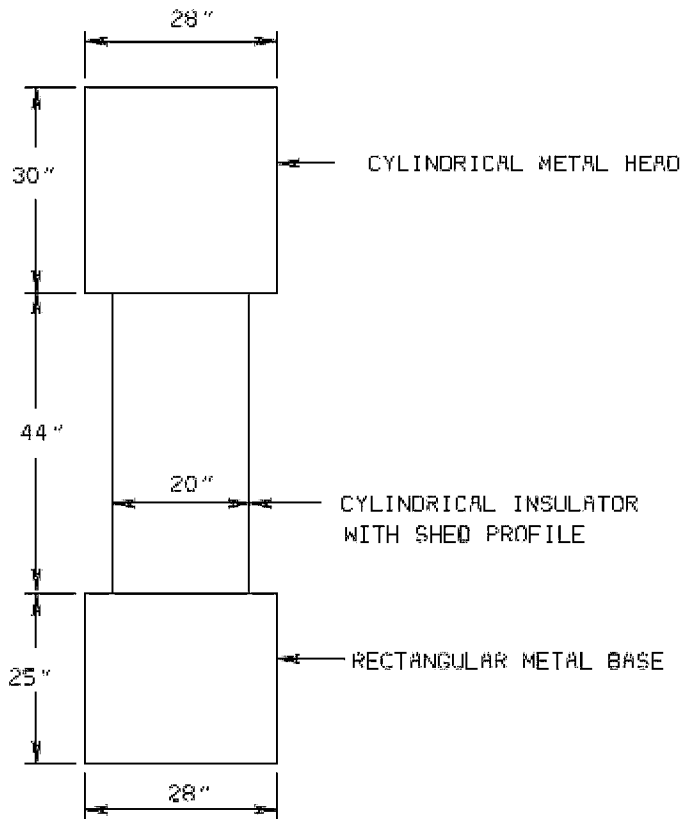
						CENTERPOINT ENERGY HOUSTON, TEXAS		
						WRITTEN	4/9/74	E. C. Reid
						CHECKED	4/10/74	L. G. Pond
						APPROVED	7/17/74	C. S. Kayser
Ray	Gulf Wind-SCFA, Change 05 1700A and other updates	2/11/2021	Var	Var	DRS	Page 42 of 46		
NO	DATE	ITEMS REVISED	BY	CH	APP	SPECIFICATION NO. 007 231 14		

THIS DIAGRAM REPRESENTS THE MAXIMUM DIMENSIONS, AND MAXIMUM WEIGHT OF POSSIBLE 138 KV CT'S OR PT'S THAT CENTERPOINT ENERGY WILL PROVIDE FOR THE 138 KV BILLING METER.

THIS DIAGRAM PROVIDES THE NECESSARY STRUCTURAL AND MECHANICAL DESIGN PARAMETERS TO BE USED FOR THE INSTRUMENT TRANSFORMER FOUNDATIONS AND STANDS THAT WILL SUPPORT 138 KV CT'S OR PT'S THAT CENTERPOINT ENERGY WILL PROVIDE.

THIS DIAGRAM MUST ALSO BE USED, IN CONJUNCTION WITH SUBSTATION BUS PROFILE DIMENSIONS, TO DETERMINE THE HEIGHT OF THE STANDS THAT WILL SUPPORT THE INSTRUMENT TRANSFORMERS THAT CNP WOULD PROVIDE FOR THE 138 KV BILLING METERING.

AFTER THE INSTRUMENT TRANSFORMER STAND HEIGHT HAS BEEN DETERMINED BASED ON THE ABOVE INFORMATION, THE MANUFACTURER'S OUTLINE DRAWING FOR THE ACTUAL 138 KV CT'S AND PT'S THAT CENTERPOINT ENERGY WILL PROVIDE MUST BE USED TO DETERMINE THE DETAILS OF THE PRIMARY CONNECTION(S) AND SECONDARY TERMINAL BOX CONDUIT CONNECTION.



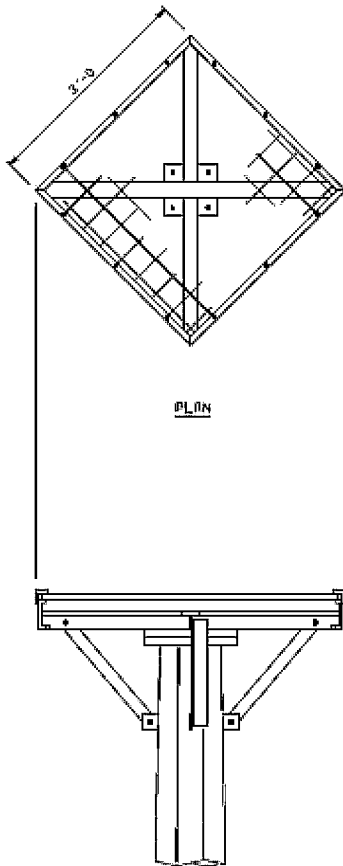
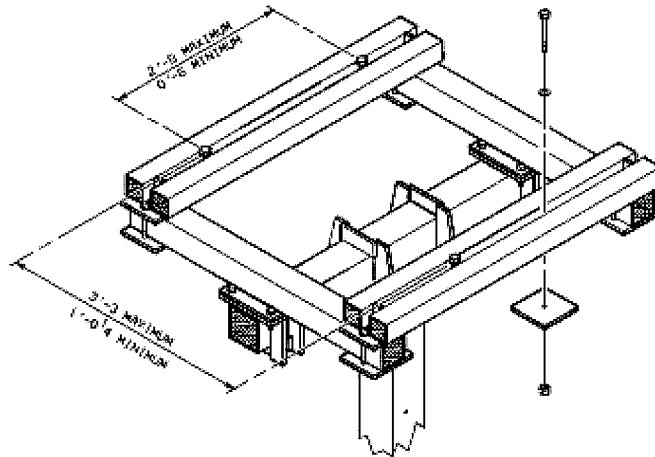
WEIGHT = 1500 LBS

DESIGN CRITERIA		
138KV STANDARD INSTRUMENT TRANSFORMER STAND		
CENTERPOINT ENERGY, INC. HOUSTON, TEXAS		
DESIGN 1-24-94	REK	SCALE NTS
ENGINEER 1-24-94	REK	SHEET 1 OF 2 SHEETS
CHECKED		DRAWING NUMBER
APPROVED		17119006

NO.	DATE	CHG NO.	REVISION	DRS	BY	CHK	CUJ	APP
1	7-3-14		CHANGED DESIGN PARAMETERS	DRS			BC	

Ray	17	9-2-2021	Update sections 4 & 11	Var	Var	GAC		
	16	8-3-2017	Update Sections 8 & 9 for Telecom	cwm	Var	MDB		
	15	11-16-2015	Updates	Var	Var	DRS	APPROVED	7/17/74
	14	11-16-2015	Change 05 1700A and other updates	Var	Var	DRS		
	NO	DATE	ITEMS REVISED	BY	CH	APP		

CENTERPOINT ENERGY	
HOUSTON, TEXAS	
E. C. Reid	
L. G. Pond	
C. S. Kayser	
Page 44 of 46	
SPECIFICATION NO. 007 231 14	



THE INSTRUMENT TRANSFORMER STAND MOUNTING SURFACE FOR THE 138 KV CT & PT THAT CENTERPOINT ENERGY WILL PROVIDE FOR THE 138 KV BILLING METERING MUST BE ADJUSTABLE OR USE GRATING TO ACCOMMODATE DIVERSE INSTRUMENT TRANSFORMER MOUNTING BOLT PATTERNS.

DESIGN CRITERIA
138KV STANDARD
INSTRUMENT TRANSFORMER STAND
CENTERPOINT ENERGY, INC.
 HOUSTON, TEXAS

DESIGN	1-24-04	REK	SCALE	NTS
CHECKED	1-24-04	REK	SHEET	2 OF 2 SHEETS
APPROVED				(DRAWING NUMBER)
DATE	17	130	06	

NO.	DATE	ISS NO.	CHANGES / REVISIONS	DRS	BY	CHK	CCR	APP
1	7-3-14		CHANGED MOUNTING BASE OPTIONS	DRS				RC

APPROVED				
DATE	7/17/74			

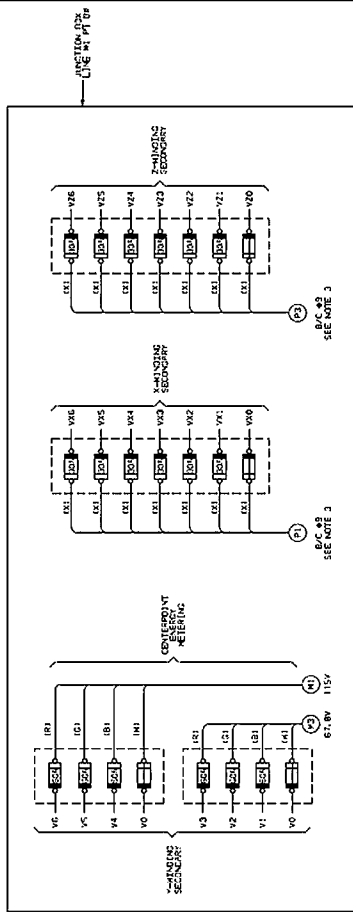
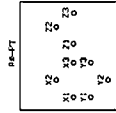
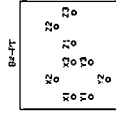
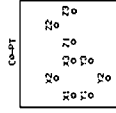
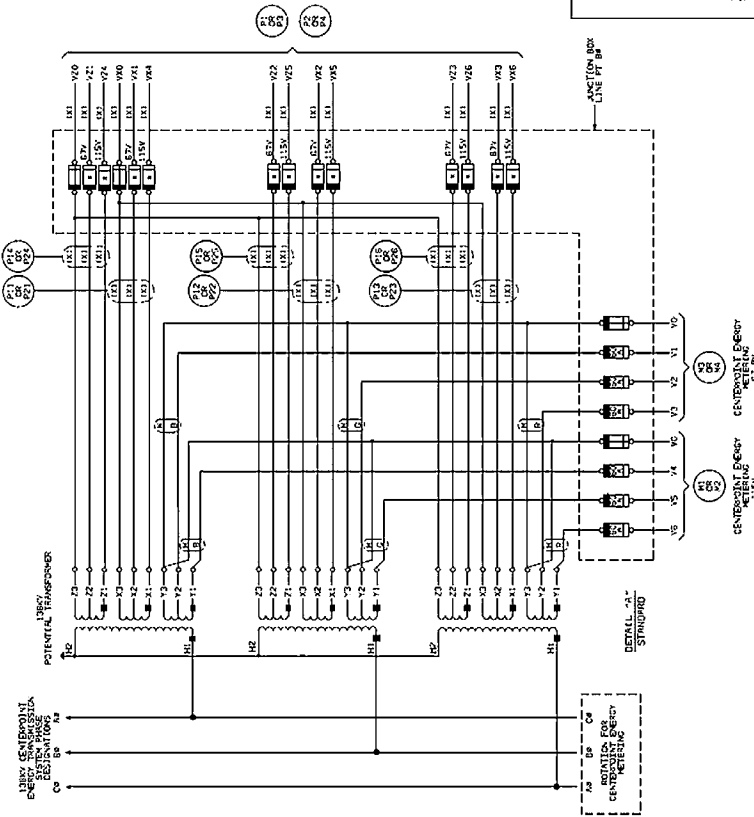
CENTERPOINT ENERGY
HOUSTON, TEXAS
E. C. Reid
L. G. Pond
C. S. Kayser

NO.	DATE	ISS NO.	CHANGES / REVISIONS	DRS	BY	CHK	CCR	APP
17	9-2-2021		Update sections 4 & 11	Var	Var			GAC
16	8-3-2017		Update Sections 8 & 9 for Telecom	cwm	Var			MDB
15	11-16-2015		Updates	Var	Var			DRS
14	7-2-2014		Change 05 1700A and other updates	Var	Var			DRS

APPROVED 7/17/74
 SPECIFICATION NO. 007 231 14

- NOTES:**
1. ALL SET OF SECONDARY TRANSFORMER SECONDARIES ARE TO BE PROVIDED BY THE CONTRACTOR. THE INDICES ARE TO BE SET BY THE CONTRACTOR. THE SECONDARIES SHOULD BE IDENTIFIED BY THE CONTRACTOR. THE SECONDARIES SHOULD BE IDENTIFIED BY THE CONTRACTOR.
 2. WELDING POTENTIAL CONNECTIONS ARE TO BE MADE WITHIN THE DISTANCE OF 20 FEET OR MORE FROM THE PT. ALL WELDING SHALL BE MADE BY THE CONTRACTOR.
 3. SECONDARY LEADS FOR A SET OF CURRENT OR INSTANTANEOUS CURRENT SHALL BE PROVIDED TO THE CUSTOMER. THESE LEADS SHALL BE PROVIDED TO THE CUSTOMER WITHIN THE DISTANCE OF 20 FEET OR MORE FROM THE PT.
 4. THE EFFECTS OF INJECTED VOLTAGES CAN BE REDUCED BY PROVIDING A SECONDARY LEAD IN A COLOR AS SPECIFIED BY THE CUSTOMER. THE USE OF THIS LEAD SHALL BE THE RESPONSIBILITY OF THE CONTRACTOR. THE CUSTOMER SHALL PROVIDE THE COLOR AND THE CONTRACTOR SHALL PROVIDE THE LEAD.
 5. THE CONTRACTOR SHALL PROVIDE A SECONDARY LEAD IN A COLOR AS SPECIFIED BY THE CUSTOMER. THE USE OF THIS LEAD SHALL BE THE RESPONSIBILITY OF THE CONTRACTOR. THE CUSTOMER SHALL PROVIDE THE COLOR AND THE CONTRACTOR SHALL PROVIDE THE LEAD.
 6. LEADS SHOULD BE IDENTIFIED BY THE CONTRACTOR. THE CONTRACTOR SHALL PROVIDE THE LEADS IN A COLOR AS SPECIFIED BY THE CUSTOMER. THE USE OF THIS LEAD SHALL BE THE RESPONSIBILITY OF THE CONTRACTOR. THE CUSTOMER SHALL PROVIDE THE COLOR AND THE CONTRACTOR SHALL PROVIDE THE LEAD.
 7. THE CONTRACTOR SHALL PROVIDE THE LEADS IN A COLOR AS SPECIFIED BY THE CUSTOMER. THE USE OF THIS LEAD SHALL BE THE RESPONSIBILITY OF THE CONTRACTOR. THE CUSTOMER SHALL PROVIDE THE COLOR AND THE CONTRACTOR SHALL PROVIDE THE LEAD.
 8. THE ABOVE REQUIREMENTS APPLY TO ALL SECONDARY TRANSFORMERS. THE CONTRACTOR SHALL PROVIDE THE LEADS IN A COLOR AS SPECIFIED BY THE CUSTOMER. THE USE OF THIS LEAD SHALL BE THE RESPONSIBILITY OF THE CONTRACTOR. THE CUSTOMER SHALL PROVIDE THE COLOR AND THE CONTRACTOR SHALL PROVIDE THE LEAD.
 9. CABLE LEADS SHALL BE PROVIDED BY THE CONTRACTOR. THE CONTRACTOR SHALL PROVIDE THE LEADS IN A COLOR AS SPECIFIED BY THE CUSTOMER. THE USE OF THIS LEAD SHALL BE THE RESPONSIBILITY OF THE CONTRACTOR. THE CUSTOMER SHALL PROVIDE THE COLOR AND THE CONTRACTOR SHALL PROVIDE THE LEAD.
 10. CABLE LEADS SHALL BE PROVIDED BY THE CONTRACTOR. THE CONTRACTOR SHALL PROVIDE THE LEADS IN A COLOR AS SPECIFIED BY THE CUSTOMER. THE USE OF THIS LEAD SHALL BE THE RESPONSIBILITY OF THE CONTRACTOR. THE CUSTOMER SHALL PROVIDE THE COLOR AND THE CONTRACTOR SHALL PROVIDE THE LEAD.
 11. 001 = CABLE COLOR BY CUSTOMER.

* FUSE 30 AMP FOR 138KV



LINE #1, 138KV PT
PLUGS, DRAWING

CUSTOMER OWNED SUBSTATION	
138KV POTENTIAL TRANSFORMER	
SUBSTATION # 3011000000	
CENTERPOINT ENERGY, INC.	
DATE	10/20/10
DRAWN BY	LP
CHECKED BY	DA
SCALE	AS SHOWN
SHEET # OF SHEETS	1 OF 1
DRAWING NUMBER	100-100000-10
PROJECT NUMBER	100-100000-10

1	02/27/13	REVISED FOR 138KV PT	DA	DA	DA	DA	DA	DA
2	11/27/12	REVISED FOR 138KV PT	DA	DA	DA	DA	DA	DA
3	10/20/10	100-100000-10	DA	DA	DA	DA	DA	DA

NT ENERGY
I, TEXAS
E. C. Reid
L. G. Pond

16	8-3-2017	Update Sections 8 & 9 for Telecom	cwm	Var	MDB			
15	11-16-2015	Updates	Var	Var	DRS	APPROVED	7/17/74	C. S. Kayser
Ray Gulf Wind 201A, 201B, 201C, 201D, 201E, 201F, 201G, 201H, 201I, 201J, 201K, 201L, 201M, 201N, 201O, 201P, 201Q, 201R, 201S, 201T, 201U, 201V, 201W, 201X, 201Y, 201Z	NO	DATE	ITEMS REVISED	BY	CH	APP	Page 46 of 46	
						SPECIFICATION NO. 007 231 14		

EXHIBIT “J”

The following CenterPoint Energy minimum acceptable electrical, mechanical, and structural design characteristics pertains to the 345 kV substation facilities owned by Lane City Wind, LLC for interconnection of the generation facility known as GIFSUB Substation to the CenterPoint Energy 345 kV BAILEY Substation and the CenterPoint Energy transmission network:

1. Maximum operating voltage = 362.5 kV.
2. Impulse level (for equipment not listed below, excluding transformer winding BIL) = 1300 kV BIL.
3. Bus and switch insulator impulse level (leakage) = 1300 kV BIL (231 inches).
4. Apparatus bushing (porcelain insulators, circuit breaker bushings transformer bushings, etc.) impulse level (leakage) = 1300 kV BIL (225 Inches).
5. If the 345 kV substation facilities owned by Lane City Wind, LLC for interconnection of the generation facility known as GIFSUB Substation will be in a contaminated area, as determined by Lane City Wind, LLC, all porcelain (i.e. insulators, circuit breaker bushings transformer bushings, etc.) shall be coated with a room temperature vulcanizing (RTV) silicone rubber.
6. Phase-to-ground clearance (metal-to-metal) = 105 inches.
7. Phase-to-phase clearance (metal-to-metal) = 119 inches.
8. CenterPoint Energy’s current standard is to construct 345 kV substation facilities to a minimum 5000 A continuous rating. The 345 kV lines and equipment in the substation facilities owned by Lane City Wind, LLC for interconnection of the generation facility known as GIFSUB substation are not required to be 5000 A minimum. However, operational scenarios after a scheduled outage of equipment in the CenterPoint Energy 345 kV BAILEY substation exist that would result in CenterPoint Energy transmission line network load current flowing on the 345 kV transmission lines and substation facilities owned by Lane City Wind, LLC. Therefore, CenterPoint Energy suggests that 345 kV transmission ‘loop lines’ and substation ‘loop bus’ facilities owned by Lane City Wind, LLC be 5000 A minimum.
9. Any 345 kV conductor connections shall utilize a minimum bundled 795 kcmil conductors, including but not limited to connections to surge arrestors and CCPD’s for the purpose of controlling voltage gradient.
10. The CenterPoint Energy 345 kV BAILEY substation to be constructed for interconnection of GIFSUB substation and CenterPoint Energy transmission network will be designed for a total maximum anticipated fault current, including contribution from the Lane City Wind, LLC generation facility, of 63 kA rms symmetrical three phase and single phase, X/R of 17 and a duration of 0.25 seconds. The 345 kV substation facilities owned by Lane City Wind, LLC shall be designed for a total available short circuit current from all sources commensurate with the Lane City Wind, LLC 345 kV transmission line design, generation facility design and the CenterPoint Energy 345 kV BAILEY substation design.

11. Normal anticipated wind speed conditions combined with maximum fault current = 15 mph, 63 kA.
12. Maximum anticipated wind speed conditions combined with reduced fault current (80%) = 120 mph, 50 kA.
13. The CenterPoint Energy 345 kV BAILEY substation bus will not be directly bus connected to the 345 kV substation facilities owned by Lane City Wind, LLC for interconnection of the generation facility known as GIFSUB substation and therefore the bus height does not need to conform to CenterPoint Energy substation bus elevations.
14. Direct lightning stroke shielding design shall comply with IEEE standard 998.
15. Substation ground mat and fence grounding system shall comply with IEEE standard 80.
17. The CenterPoint Energy 345 kV BAILEY substation circuit breaker current transformers (CTs) that connect to the CenterPoint Energy protective relaying schemes will be 4000:5 multi-ratio, two CTs per bushing, with C800 accuracy at the 3000:5 tap and a rating factor (RF) equal to 2.0. The secondary resistance of the CTs shall not exceed 0.0025 ohms per turn. The circuit breaker shall not have a capacitor across the interrupters. The interrupting capability and CT ratings of the 345 kV substation circuit breakers owned by Lane City Wind, LLC shall be commensurate with the Lane City Wind, LLC 345 kV transmission line design, generation facility design and the CenterPoint Energy 345 kV BAILEY substation design. CenterPoint Energy will provide information on the minimum interruptible current rating of the breaker (63 kAIC or potentially higher) and CT ratio required after project commencement and determination of system conditions.
18. Surge arresters shall be station class with a minimum rated MCOV of 220 kV.
19. A key interlock system is not permitted on 345 kV equipment.
20. The use of manually applied grounding devices constructed of conductors and clamps is the norm for protective grounding of all de-energized 345 kV electrical apparatus directly connected to the CenterPoint Energy transmission system. The use of a 'grounding switch' that is motor operator and is electrically interlocked with the 'open' status of appropriate motor operated disconnect switch(es) will be considered acceptable to CenterPoint Energy provided drawings (i.e. the motor operator 'grounding switch' cannot be closed unless the surrounding motor operated disconnect switches are in the open position). This would be verified by CenterPoint Energy's review of substation protection & control drawings of the control for the motor operated 'grounding switch' and motor operated disconnect switches. Lane City Wind, LLC would be responsible for the periodic preventive maintenance of the motor operated 'grounding switch'. A manually operated 'grounding switch' associated with 345 kV equipment is not acceptable to CenterPoint Energy.
21. The GIFSUB substation dead end structure (supporting the CenterPoint Energy transmission line(s) connected to the GIFSUB substation) should be designed in accordance with CenterPoint Energy's design parameters including but not limited to horizontal conductor pull-off height, wire tension, maximum horizontal and vertical line angles (typically 30°), wind loading capabilities and applicable NESC Over Load Factors (OLF). The wind loading at the substation location should use the hurricane wind maps in NESC.

22. The shield angle from the static wire to the outside conductor and middle phase will be supplied by CenterPoint Energy. The assumed configuration is 2 static wires protecting 3 phases of 345kV conductors. The static wire will be either 3/8 HSS or an OPGW wire to be determined by CenterPoint Energy.

[BLANK SPACE]